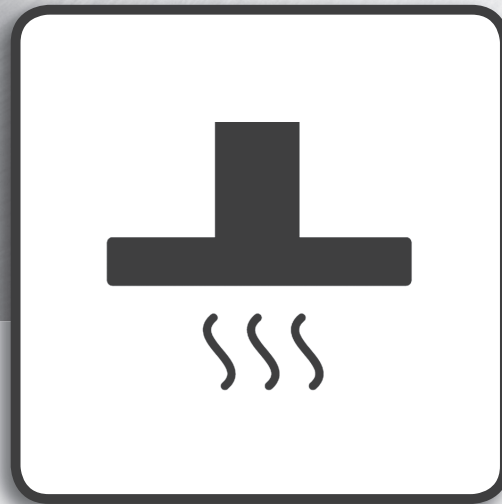


Whirlpool



Health & Safety Use & Care and Installation guide

Model : AKR260/WH



www.whirlpool.com.hk

This manual and the appliance itself provide important safety warnings, to be read and observed at all times.

IMPORTANT SAFETY INFORMATION

INSTALLATION & USE

MAINTENANCE

Product Specification & Technical Parameters

Model	AKR260/WH
Rated Voltage	220-240V~
Rated Frequency	50Hz
Light Power	2x40W
Motor Power	300W
Total Power	380W
Maximum suction	450m ³ /hr (Non-restricted)
Diameter of Exhaust Pipe	120mm
Product Dimension(mm)	130H x 600W x 470D
Net Weight	9.5kg
Gross Weight	10.5kg

Important Safety Information

1. Always disconnect the hood from the power supply before carrying out any installation or maintenance operation on the appliance.
2. Installation must be carried out by a specialised technician, in compliance with the manufacturer's instructions and local safety regulations.
3. Earthing of the appliance is compulsory.
4. Never use multisockets and extension leads.
5. The electrical components must not be accessible to the user after installation.
6. Do not touch the hood with wet parts of the body or use it when barefoot.
7. Do not pull the appliance power cable to unplug it.
8. After-sales service – do not repair or replace any part of the hood unless specifically indicated in the manual. All other maintenance services must be carried out by a specialized technician.
9. When drilling the wall, make sure not to damage the electrical connections and/or pipes.
10. The ventilation ducts must always discharge to the outside.

11. The Manufacturer declines any liability for improper use or incorrect setting of the controls.
12. The appliance is not intended for use by children or persons with limited physical, sensory or mental abilities or without experience and knowledge of it, unless they are under the supervision of or instructed in its use by a person responsible for their safety.
13. Keep children away.
14. To reduce the risk of fire, only use a metal inlet duct.
15. Children must be supervised so that they do not play with the appliance.
16. The product must be disposed of in compliance with local regulations on waste disposal.
17. For further information on the treatment, recovery and recycling of this product, contact the competent local office, the household waste collection service or the shop where you purchased the appliance.
18. Regular cleaning and maintenance is essential for correct hood operation and good performance. Frequently clean all encrustations from dirty surfaces to prevent the accumulation of grease. Regularly clean or replace filters.
19. Do not “flambé” food under the hood. Naked flames could cause a fire.
20. The room must have adequate ventilation when the hood is used at the same time as appliances operating on gas or other fuels.
21. The discharge air must not be eliminated in a duct used to remove fumes produced by appliances operating on gas or other fuels, but must have a separate outlet. All the national regulations on air discharge envisaged by art. 7.12.1 of CEI EN 60335-2-31 must be observed.
22. If the hood is used together with other appliances operating on gas or other fuels, the negative pressure in the room must not exceed 4 Pa (4×10^{-5} bar). Therefore, make sure the room is adequately ventilated.
23. Do not leave pans unattended when frying, since the cooking oil could catch fire.
24. Make sure the lamps are cold before touching them.
25. The hood is not a shelf, therefore do not overload or place objects on it.
26. Do not use or leave the hood without its lamps correctly installed - risk of electric shock.
27. Wear work gloves for all installation and maintenance operations.
28. The product is not suitable for outdoor use and is designed for domestic use only
29. The air sucked by the hood must not be eliminated through the same flue of the heating system or other appliances using gas or other fuels.
30. The minimum distance is 750mm from the cooker hood to a gas hob, and is 650mm to an electric hob. If the installation instructions for the cooker specify a greater distance between cooker and hood, this distance must be observed.
31. There is a risk of fire if cleaning is not carried out in accordance with the instructions.
32. CAUTION: Accessible parts may become hot when used with cooking appliances.

Product Dimension and Components

Dimensions

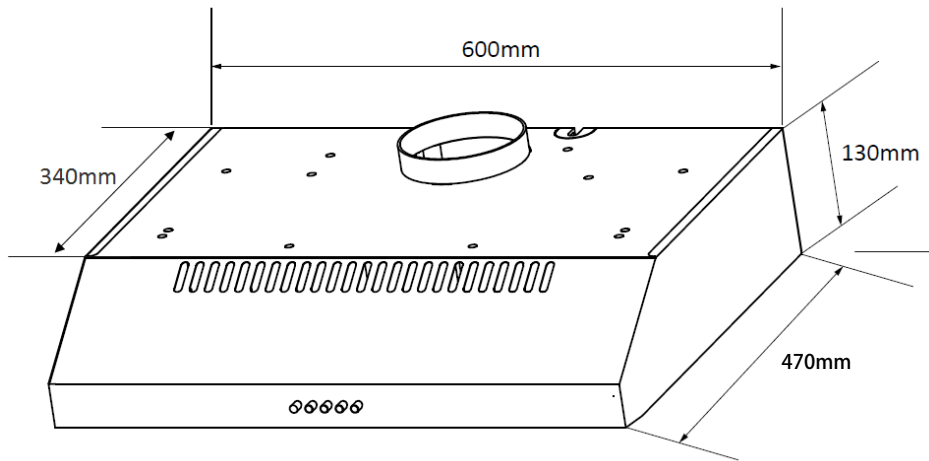


Fig.1.

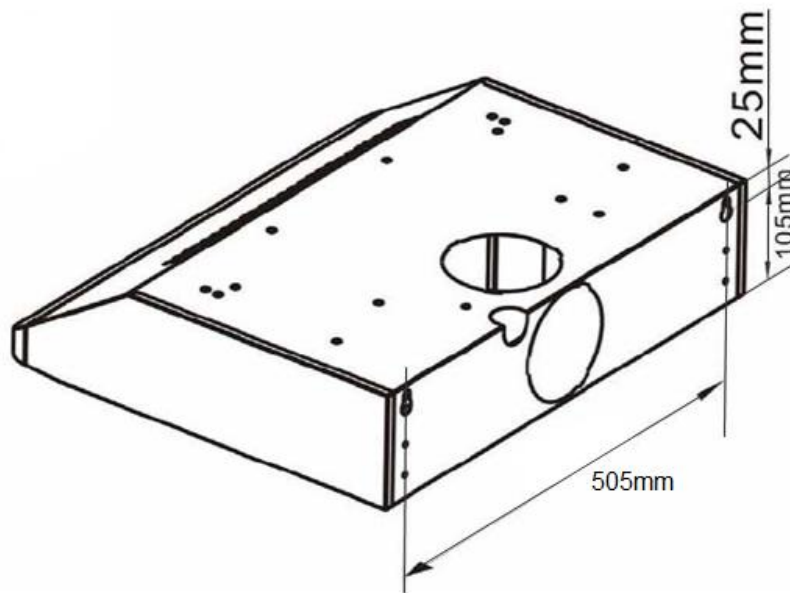
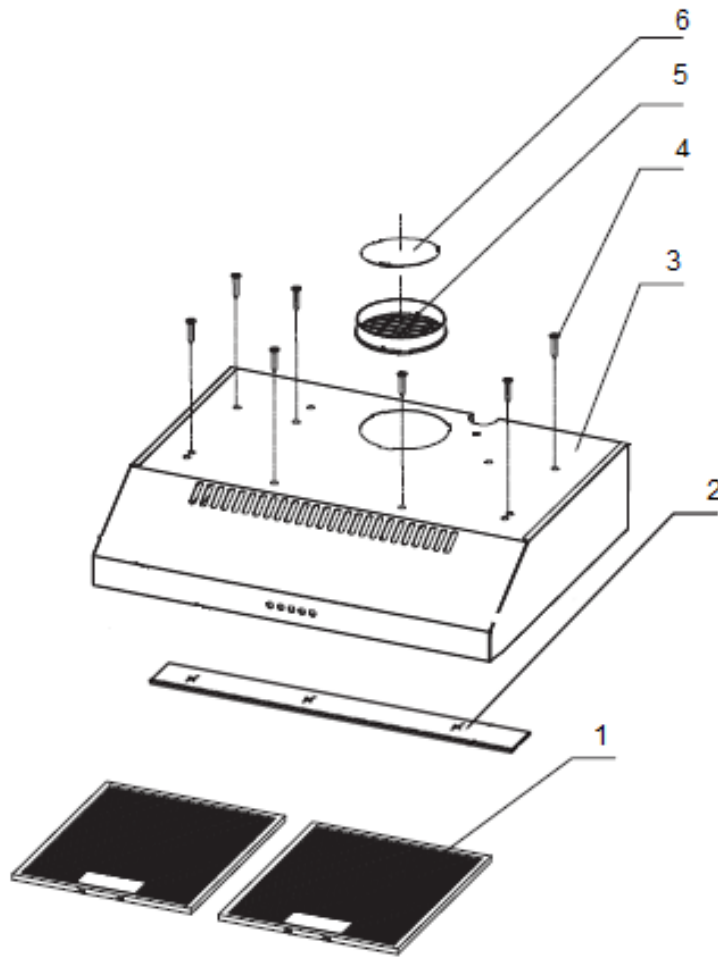


Fig.2.

Components



Ref	Qty	Components
1	2pcs	Grease filter
2	1pc	Baffle assembly
3	1pc	Hood body
4	7pcs	Screw
5	1pc	Rigid pipe
6	1pc	Blocking cover
7	1pc	Instruction manual
8	1pc	Warranty card

Electrical Connection

1. Make sure the power voltage specified on the appliance rating plate is the same as the mains voltage. This information can be found inside the hood,
2. Before reconnecting the hood circuit to the power supply and checking correct operation, always make sure the power cable is correctly fitted and that it was NOT crushed in its housing during installation. Make sure to have this operation carried out by a qualified technician in accordance with all local codes and standards.
3. Turn off electrical power before installation
4. If supply cord is damaged, please call manufacturer for replacement to avoid any electrical hazards
5. Do not use plug and extension cord other than the one provided
6. Earthing of the hood is compulsory. Do not remove ground prong of the plug.

General Recommendations

Before use

Remove cardboard protection pieces, protective film and adhesive labels from accessories.
Check the appliance for any damage caused by transport.

During use

To avoid any damage do not place any weights on the appliance.
Do not expose the appliance to atmospheric agents.

This is a heavy product; the hood should only be lifted and installed by two or more people.

Installation

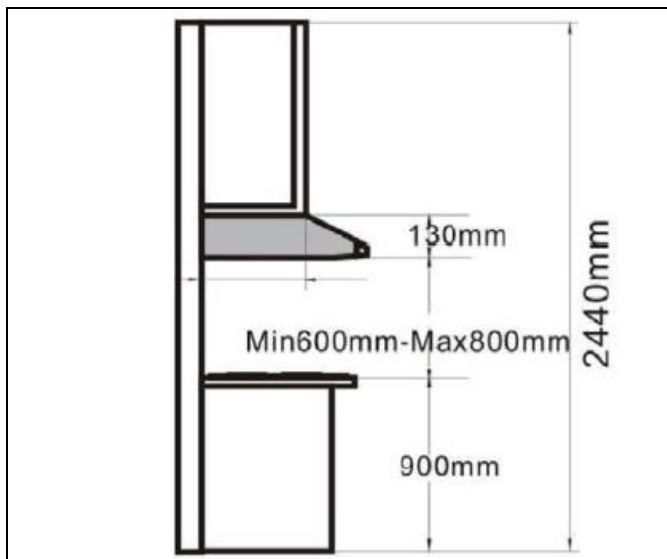
Position

1. The minimum installation height should not be less than 650mm and the recommended height is 700±50 mm. (Fig. 5.)
2. Avoid left-right or front-dropped inclination. Make sure hood is installed correctly with correct alignment.

Mount the hood body

1. Drill the holes according to the distances indicated in Fig5, Fig.6 and Fig7.
2. Fix the support bracket to the wall and hook the hood on the support bracket for hooking it to the wall. Adjust the distance between the hood and wall and align it in horizontal position to the wall units. Adjust the hood horizontally using a level.
3. When the appliance has been adjusted, fully tighten the support using the screws. The hood comes with all the materials required for installation on the majority of walls. All installations must be done

by qualified technician.



Remark:
Depth of the cabinet: 340mm
Height of the cabinet > 130mm

Fig.5.

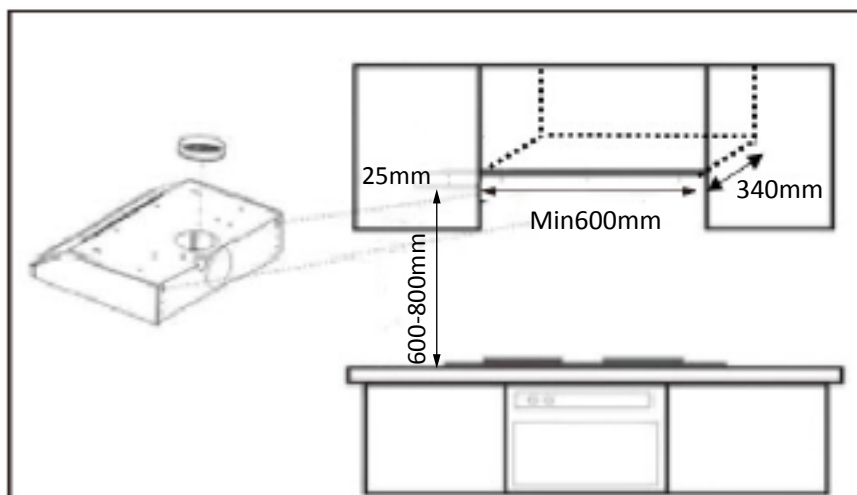


Fig.6. AKR260/WH

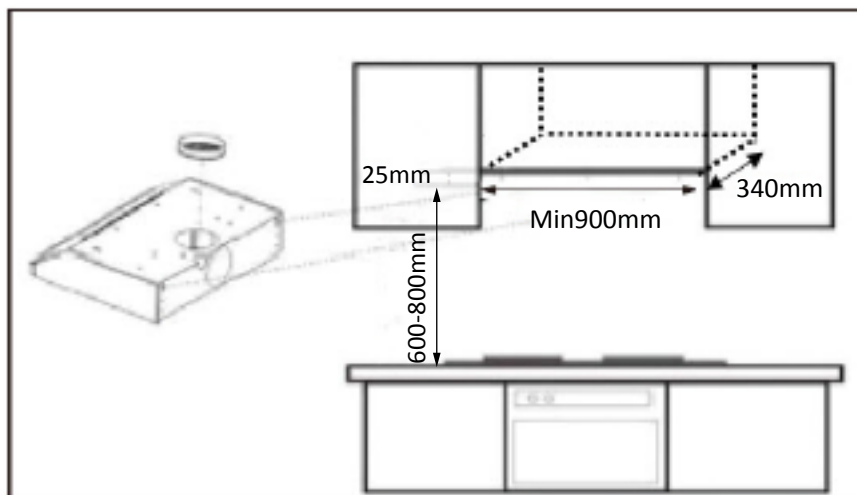


Fig.7. AKR290/WH

Fitting the filter

1. Insert the claws on both sides into the filter's holes.
2. Put the filter by pushing the lock of filter. Press slightly and make sure it is fixed properly.

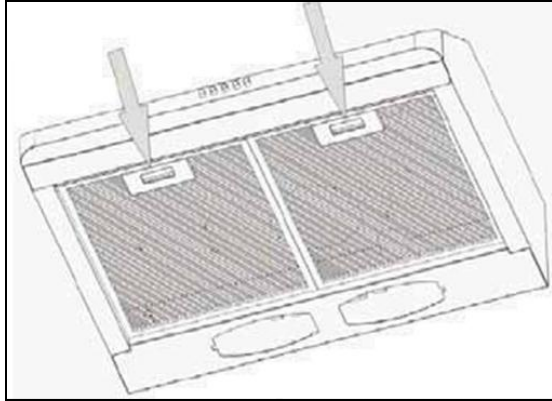


Fig 8.

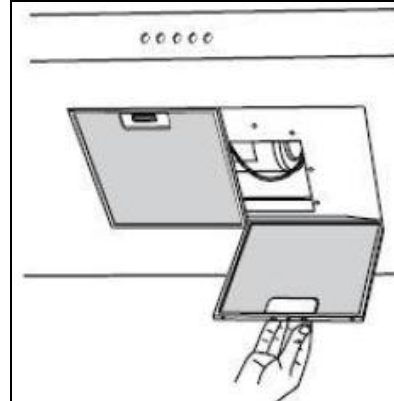


Fig 9.

Air extraction outdoors

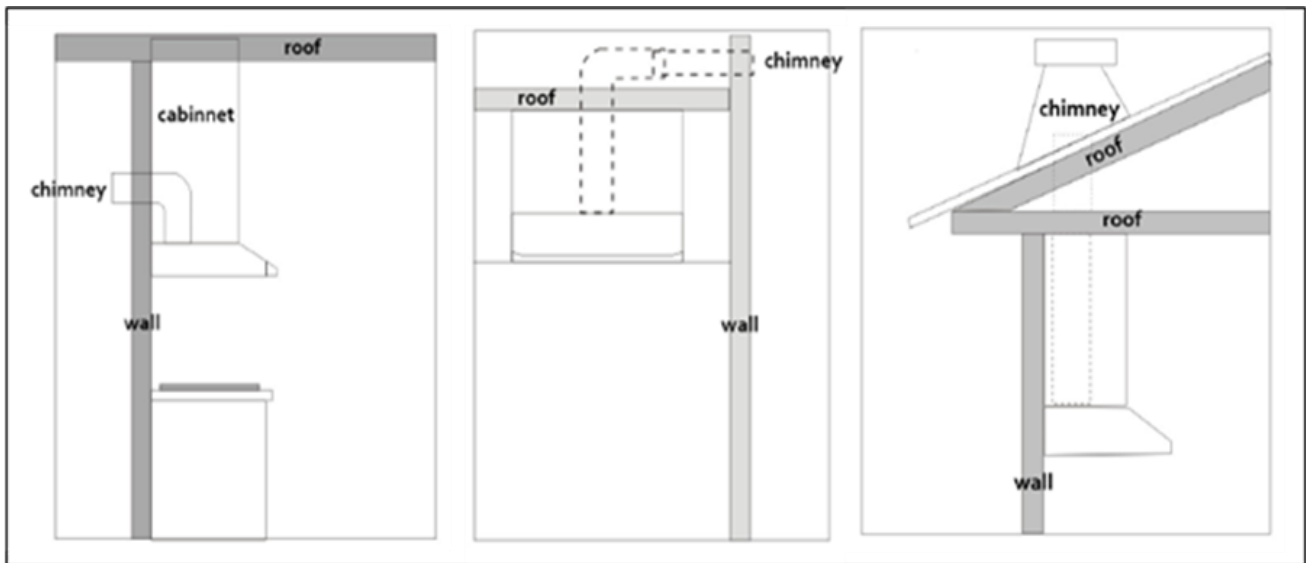
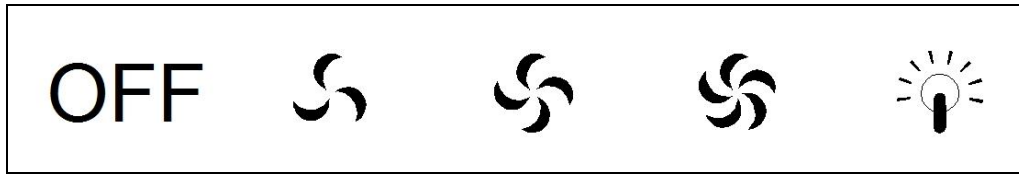






Fig 10.

1. When installing the ducted version, please connect the hood to chimney using rigid pipe $\phi 120$ to the recess area of the air outlet adapter.
2. Fix the pipe in position using 2 screws from two sides of the air outlet adapter. Make sure the pipe is secured.

Operation



1. "OFF" = Power ON/OFF button
2.  = Low speed button
3.  = Medium speed button
4.  = High speed button
5.  = Lamp ON/OFF button

It is recommended that the hood keeps running for 10 minutes after cooking is finished.

Maintenance

Make sure appliance is switched off or unplugged before carrying out any maintenance work.

Grease Filter

1. The filters need to be washed at least every 2 months of operation, or more frequently for heavy usage.
2. Remove the filter one at a time by supporting them with one hand and push the lock to release the filter.
3. Wash the filters in mild detergent and rinse with warm water. Allow them to dry before refitting.
4. Refit them by pressing the latch on filter.
5. Please pay attention and not to bend filter during your cleaning process.
6. The filters is dish-washer safe.
7. Please note that filters may decolor after several washes.

Light bulb

1. Use only light bulbs with same specifications as the original one.
2. Push the lock to release the filter first.
3. Remove the light cover.
4. Replace the light bulb.
5. Refit support and cover.

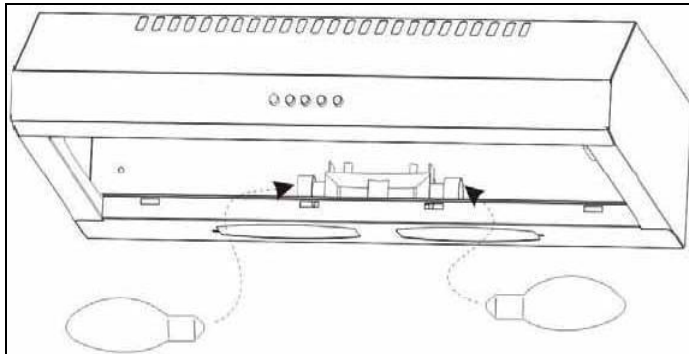


Fig 11.

Hood Cleaning

1. Use soap or mild detergent with hot water to clean the hood.
2. Rinse with water and wipe dried with a dry and clean cloth.
3. For discolorations or deposits that persist, use a non-scratching household cleanser or stainless steel cleaner to clean with a soft cloth.
4. For a very dirty hood, please use a plastic scouring pad or soft stainless steel safe bristle brush together with cleanser and water. Rub lightly in direction of polishing lines or “grind” of the aluminum finish. Do not use abrasive sponges or metallic scrapers or scourers as these will damage hood surface and resulted in rusting.
5. Do not use corrosive strong acidic detergent to clean the hood.

Trouble Shooting Guide

In case if the Cooker Hood does not work or work improperly, before calling the after sales service, switch off the appliance, unplug the power supply and refer to the guide below to solve the problem.

No.	Status		Reasons
1	Lamp doesn't work	Power supply not connected	Check if the power cord is properly connected or not
		Lamp is damaged	Call consumer service for support
2	Hood is noisy	Filter not properly fitted	Remove and refit the filters properly
		Hood is not installed properly	Call consumer service for support
3	Poor performance with low suction	Distance between Hood and Hob is too high	Call consumer service for support
		Filter is choked	Clean filter and refit in its place
		Duct is damaged	Call consumer service for support

