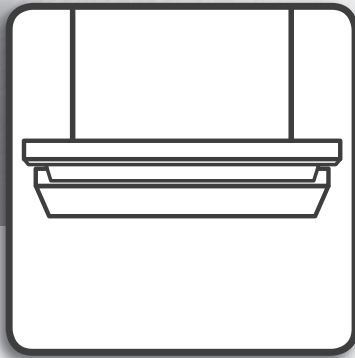


Whirlpool



Health & Safety, Use & Care, Installation Guide and Online Warranty Registration Information

產品安全指引、使用說明、安裝指南及
網上登記保養資料

Model 產品型號 :AKTT600/IX
AKTT900/IX



www.whirlpool.com.hk

Important safety instructions	1
Before using the hood	3
Installation	3
Mounting method	4
Mounting Method (Recirculating Kit If Needed)	5
Hood operation	6
Maintenance & Cleaning	7
Specifications	8
Hood measurement	8
Replacing lamps	9
Wiring diagram	10
重要安全資訊	11
首次使用須知	13
安裝指引	13
吊掛安裝	14
吊掛安裝 (循環式組件 如需要)	15
功能簡介	16
保養與清潔	17
產品規格	18
產品尺寸	18
更換照明燈	19
線路圖	20

IMPORTANT SAFETY INSTRUCTIONS

These instructions shall also be available on website: www.whirlpool.com.hk

KEEP THIS INSTRUCTION MANUAL FOR FUTURE REFERENCE.

YOUR SAFETY AND THAT OF OTHERS IS HIGHLY IMPORTANT.

This manual and the appliance itself provide important safety warnings, to be read and observed at all times.

⚠ This is the attention symbol, pertaining to safety, which alerts users to potential risks to themselves and others.

All safety warnings are preceded by the attention symbol and the following terms:

⚠ DANGER: indicates a hazardous situation which, if not avoided, will cause serious injury.

⚠ WARNING: indicates a hazardous situation which, if not avoided, could cause serious injury.

All safety warnings specify the potential danger/warning to which they refer and indicate how to reduce the risk of injury, damage and electrical shock resulting from incorrect use of the appliance. Comply with the following instructions:

1. Installation or maintenance must be carried out by a specialized technician, in compliance with the manufacturer's instructions and local safety regulations.
Do not repair or replace any part of the appliance unless specifically requested in the user manual.
2. The appliance must be disconnected from the power supply before carrying out any installation work.
3. Earthing of the appliance is compulsory.
4. The power supply cable must be long enough to permit connecting the appliance to the mains socket outlet.
5. Unplug the appliance with hands. Do not pull the power supply cable to unplug the appliance.
6. The electrical components must no longer be accessible to the user after installation.
7. Do not touch the appliance with any wet part of the body and do not operate it when barefoot.
8. This appliance is not intended for use by persons (including children) with reduced physical, sensory or mental capabilities, or lack of experience and knowledge, unless they have been given supervision or instruction concerning use of the appliance by a person responsible for their safety.
9. Do not repair or replace any part of the appliance unless specifically indicated in the manual. Defective parts must be replaced using genuine parts. All other maintenance services must be carried out by a specialized technician.
10. Children must be supervised to ensure they do not play with the appliance.
11. When drilling through a wall or the ceiling, pay attention not to damage electric connections and/or pipes.
12. The ventilation ducts must always discharge to the outside.
13. Exhaust air must not be vented through a flue used for removal of fumes produced by appliances burning gas or other fuels, but must have a separate outlet. All national regulations governing extraction of fumes must be observed.
14. The Manufacturer declines any liability for improper use or incorrect setting of the controls.
15. Regular cleaning and maintenance is essential to correct functioning and good performance of the appliance. Frequently clean all encrustations from dirty surfaces to prevent the accumulation of grease. Regularly clean or replace the filters.

IMPORTANT SAFETY INSTRUCTIONS

16. Do not flame under the range hood.
17. Do not leave frying pans unattended when frying, as the frying oil may catch fire.
18. Failure to observe the instructions for cleaning the hood and replacing the filters may result in a fire.
19. The fume extractor hood must never be opened without the grease filters installed.
20. Gas appliances must be used under the extractor hood only with pans resting.
21. When using more than three gas burners, the hood should be operating at power level 2 or greater. This will eliminate heat congestion in the appliance.
22. Before touching the bulbs, first ensure that they are cool.
23. Do not use or leave the hood without its lamps correctly installed-risk of electric shock.
24. Wear work gloves for all installation and maintenance operations.
25. This appliance is intended for domestic use only. The product is not suitable for outdoor and commercial use.
26. CAUTION : Accessible parts may become hot when used with cooking appliances.
27. There is a fire risk if cleaning is not carried out in accordance with the instructions.
28. If the power cord is damaged, it must be replaced by the manufacturer, its service agent or similarly qualified persons in order to avoid a hazard.
29. There shall be adequate ventilation of the room when the range hood is used at the same time as appliances burning gas or other fuels.
30. The air must not be discharged into a flue that is used for exhausting fumes from appliances burning gas or other fuels.
31. Regulations concerning the discharge of air have to be fulfilled.

BEFORE USING THE HOOD

After unpacking the appliance, check for any transport damage. Do not install the appliance if it has been damaged. In the event of problems, contact Whirlpool Customer Service. To prevent any damage, only remove the appliance from its polystyrene foam packaging at the time of installation.

- Packing materials (plastic bags, polystyrene, etc.) must be kept out of children's reach, as they are potentially dangerous.
- Installation must be carried out by a qualified technician.
- Make sure the power voltage specified on the appliance's rating plate is the same as the main voltage.
- Connect the power and switch on the motor and lighting system to check the operation.
- Parts supplied:

a. Plastic collar x 1pc

b. Warranty card x 1pc and Instruction manual x 1pc

c. Installation Accessories Set x 1 set

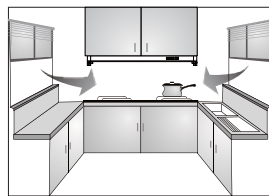
(AKTT600/IX: M4 x 8 screw x 2 pcs + 3/16 x 5/8 washer head screws x 4 pcs + 3/16 x 40mm screw x 4 pcs + Upper installation brackets x 2 pcs + Lower installation brackets x 2 pcs

AKTT900/IX: #6 x 1" wooden screw x 8 pcs + M4 x 8 screw x 2 pcs

INSTALLATION

1. Location

- Air turbulence from window/door may reduce the effectiveness of hood. Suggest to close window/door before using hood. (FIG. 1)
- The smoke has to rise up to 250 mm from cook top in order to reach hood's suction efficiency range.



(FIG. 1)

2. Position

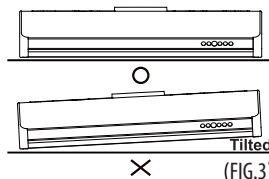
- The installation height is measured vertically from center of aluminum filter of hood to the top of the cook top.
- The min height is 650mm and the max installation height is 750mm for gas hob.(FIG. 2)
- Avoid left-right or front-dropped inclination.(FIG. 3)



(FIG. 2)

3. Exhaust duct

- 6" diameter exhaust duct is recommended to use in order to maximize suction efficiency.
- Before installing the hood, please apply fast drying glue to the collar and securely attach it to the top of cooker hood's vent lid. Install the cooker hood and exhaust duct to the plastic collar and seal with fast drying glue.



(FIG. 3)

MOUNTING METHOD

⚠ WARNING:

Electrical connections must be carried out by a qualified technician, this appliance must be connected with earth wire.

Supply cord must be disconnected from power source before connection (to the appliance).

1. Cut out an opening in the bottom of the cabinet following the dimensions in Fig. 1

2. Remove the filters.

3. Use (2) M4 x 8 screws to install the plastic collar.

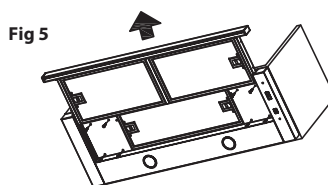
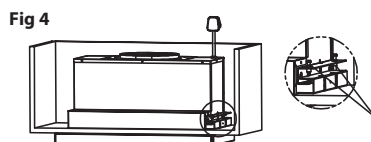
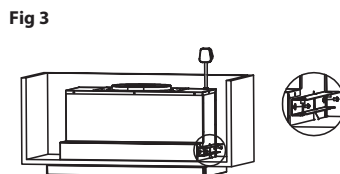
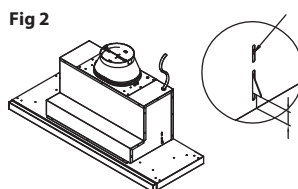
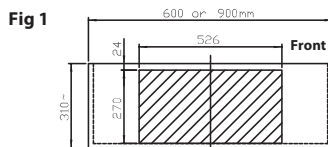
4. Lift the hood into opening and ensure locking clip has locked into position. (locking clip is located on left side of hood body.) see Fig 2

5. 600mm Model only. Secure upper brackets to left and right sides of the hood body by using (2) 3/16 x 3/8" screws for each bracket. Make sure the (2) captive nut screws holes on the bracket are facing downward. Fig. 3

6. 600mm Model only. Place lower installation brackets under upper installation brackets located on left and right sides of hood body. Note: The wider portion of the lower installation bracket should be at the bottom.

7. 600mm Model only. Install (2) 3/16x40 screws into the captive nuts of each upper installation bracket. Tighten is no gap between the cabinet and front edge of the hood. Fig. 4

8. 900mm Models only. Secure hood body to cabinet base by (4) M4 x 16mm screws through the bottom of range hood. Fig. 5



Mounting Method (Recirculating Kit If Needed)

Ductless recirculation is intended for applications where an exhaust duct work is not possible to be installed. When converted, the hood functions as a recirculating hood rather than an exhaust hood. Fumes and exhaust from cooking are drawn and filtered by a set of optional charcoal filter. The air is then purified and recirculated back within the home.

We recommend to ALWAYS exhaust air outside of the home by employing existing or installing new duct work, if possible. The hood is most effective and efficient as an exhaust hood. Only when the exhaust option is not possible you should convert the hood into a recirculation hood.

When converted to be a recirculating hood, a set of charcoal filter is required on top of the aluminum grease filters. Order according to its part number below. The aluminum grease filters are intended to capture residue from cooking and the optional charcoal filter help to purify fumes exhausted from cooking for recirculation.

*RECIRCULATING KIT (REQUIRED IF NO DUCTING IS USED)

Kit includes charcoal filter and air diversion.

Hood Models	Part No.
-------------	----------

AKTT 600/IX	KITCAB03
AKTT 900/IX	

1. Purchase recirculating kit per the part number above.
2. Remove the inner aluminum filter from hood and install the charcoal filter instead.
3. In order to recirculate the air properly, a return air vent must be installed to allow recycled air to be return to the kitchen. Ducting must be run from the blower to the return air vent. The return air vent can be positioned on the top of the cabinet or in a soffit/ceiling.
4. Charcoal filter must be replaced after every 120 hours of use. (or approximately every 3 to 4 months based on an average of 1-2 hrs of daily cooking time).

**Charcoal Filter Replacements

Hood Models	Part No.	Qty to Order
-------------	----------	--------------

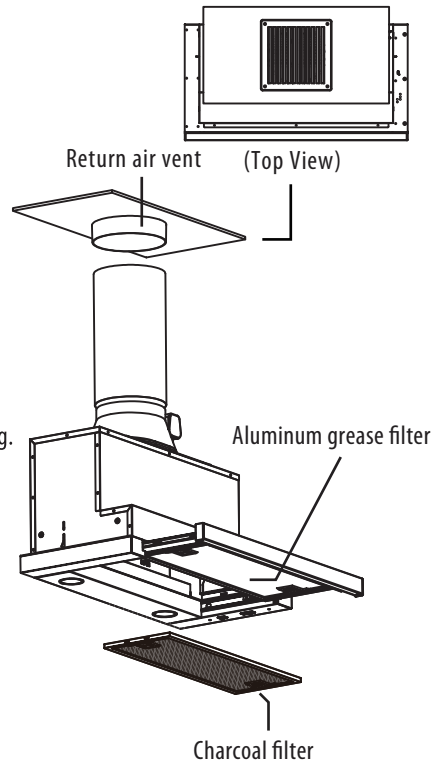
AKTT 600/IX	CAB03	1
AKTT 900/IX		

Note:

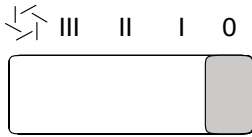
1. DO NOT WASH CHARCOAL FILTER. Charcoal filter may need to be changed more often depending on cooking habits.
2. We recommend to use the induction hob when converted the recirculating option.

*Recirculation kit is not included and needs to be purchased separately.

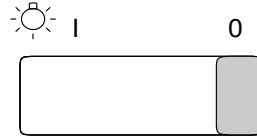
**Charcoal filter can be purchased separately at our service center.



① FAN SPEED



② LIGHTS ON/OFF



① FAN SPEED

0 is off, I is low speed, II is medium speed and III is high speed.

② LIGHTS ON/OFF

0 is off, I is on.

NOTE:

1. Fan and lights will automatically shut off when the filters are closed and turn back on when the filters are opened.
Fan and lights will not operate when the filters are closed.
2. Please slide the control to the right position according to the control instruction.
If not, the Fan or lights might not operate properly.

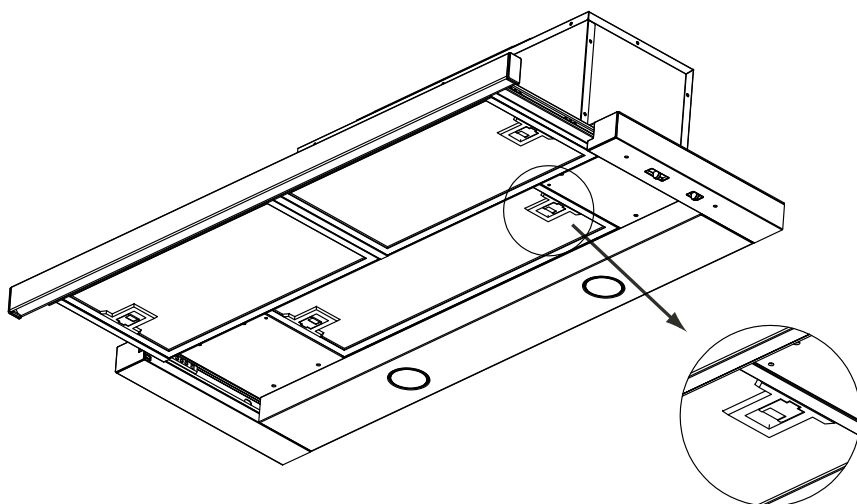
⚠ WARNING: Always disconnect from power supply before cleaning.

7A. Hood Surface Maintenance

1. Please clean the hood surface regularly with mild detergent and wipe with a cotton cloth to prevent grease from accumulating.
2. Please do not use abrasive or corrosive cleaning agent to clean the surface because this will damage the surface.
3. It is recommended to use non corrosive stainless steel polisher to polish the surface after cleaning.
4. Please use soft cloth for polishing because it will make your hood surface shining.
5. Please do not use cleaning solutions that contain bleach ingredient.

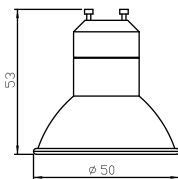
B. Cleaning and Maintenance

1. Clean both exterior and interior of the hood for long lasting. Do not use abrasive cleanser.
2. The filters have an unlimited life and should be cleaned at least once a month by hand or in a dishwasher at low temperature and with a short cycle.
3. Cleaning in a dishwasher may cause discoloring of the filters, but its filtering efficiency is unaffected.
4. Slightly pull out the handle to remove the filters.
5. Wash the filters with mild detergent and leave it to dry, proceeding in reverse order to refit it.
6. The oil cup in the center of the motor shell for holding grease can be detached and cleaned regularly.
7. It is recommended to turn on the hood before turning on the stove to avoid high temperature in the kitchen.

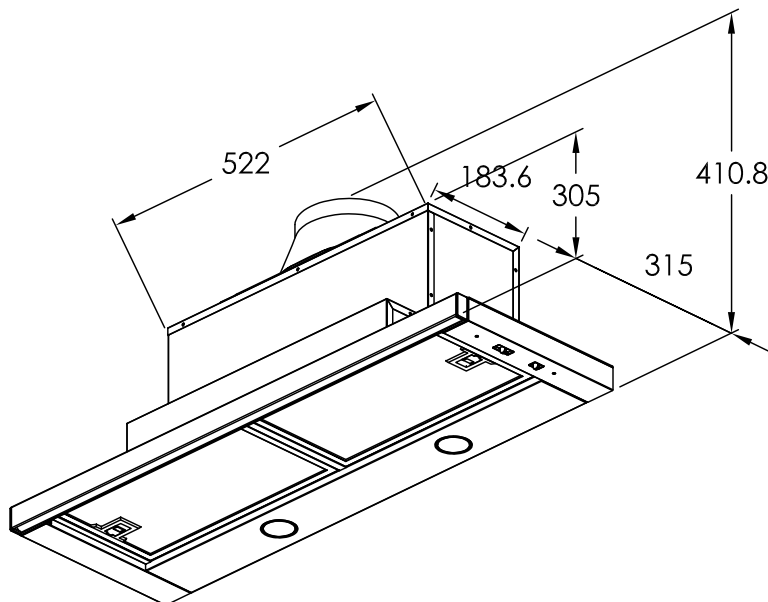


SPECIFICATIONS

Model	AKTT600/IX	AKTT900/IX
Net Weights	12.2Kg	14.2Kg
Gross Weights	14.3Kg	16.6Kg
Hood Size (W x D x H)	598 x 315-480 x 410.8mm	898 x 315-480 x 410.8mm
Packing Size (W x D x H)	682x374x420mm	980x374x420mm
Voltage	220V,50Hz	
Outlet pipe diameter	6 inches	
Light	LED 6W x2 (GU10,220V 50Hz)	



HOOD MEASUREMENT



Unit : mm

REPLACING LAMPS

⚠ WARNING:

- **Always disconnect the appliances from power supply before replacing lamps.**
- **Use protective gloves.**

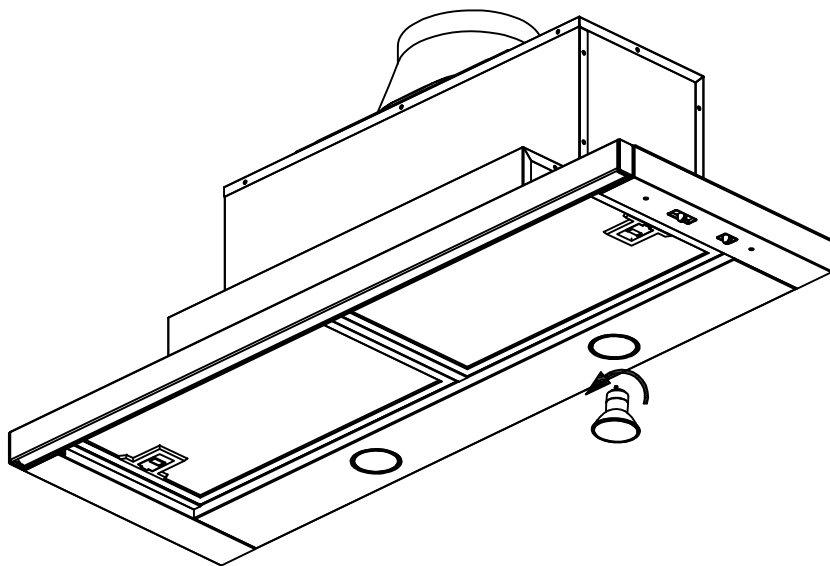
Never dismantle, repair or modify the appliance by yourself.

Repair service including replacement of LED light must only be carried out by a qualified technician. It is dangerous for anyone other than the above mentioned people to perform repair service.

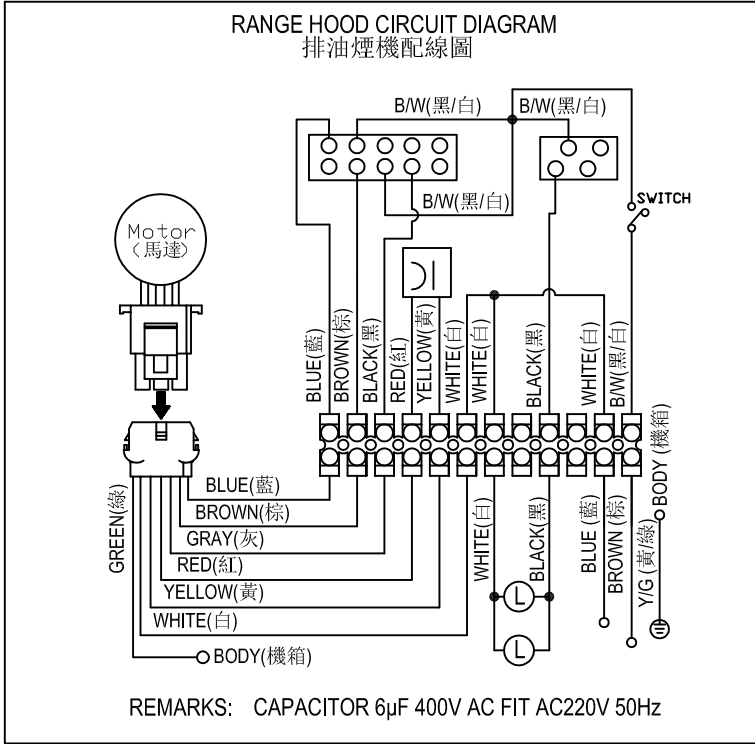
Please contact Whirlpool Customer Service to purchase new LED light for replacement.

Remove by turning bulb counter-clockwise. Note: Bulb does not unscrew; it turns 60 degrees, stops and falls out.

If bulbs are difficult to turn due to prolonged use, firmly attach a glass suction cup approximately the diameter of the bulb or use a rubber/latex glove to grip the bulb and turn counter clockwise.



WIRING DIAGRAM



本手冊可在網頁上找到：www.whirlpool.com.hk

請妥善保存本說明書，以便日後作參考之用。

您和他人的安全是非常重要的。

本手冊和機器本身提供許多重要的安全信息，務必閱讀並且遵守這些安全信息。

⚠ 這是安全警告標誌。這標誌是告訴您，有潛在的危險並可能引致您或他人的死亡或受傷。

所有的安全知識都可以在警告標誌及「危險」，「警告」字樣之後找到。這些字樣表示：

⚠ 危險： 表示一種危險情況，如果不避免，將造成嚴重的傷害。

⚠ 警告： 表示一種危險情況，如果不避免，可能會造成嚴重的傷害。

所有安全信息會告訴您那些潛在的危險，並指出如何減低因不正確使用抽油煙機而引致的傷害，損壞和電擊的風險。遵守以下說明：

1. 所有安裝和維修必須由合格技術人員負責進行，並需根據生產商的指示和符合當地安全的規定。（除本手冊有提供指引外，請勿擅自對抽油煙機進行修理或拆卸任何機器內的部件。）
2. 在進行安裝工作之前，必需切斷電源。
3. 本抽油煙機必須接駁地線。
4. 抽油煙機電源線的長度必須足夠連接到電源插座。
5. 拔掉電源線插頭時，應手持插頭拔出，請勿拉扯電源線。
6. 安裝後，使用者不應再接觸帶電配件。
7. 如身體沾了水，請不要觸摸電器。請不要在赤腳下使用抽油煙機。
8. 此產品並非設計給身體、感官或精神上能力不足，或經驗及知識不足的人士使用（包括兒童），除非監護其安全的負責人監督或指引其使用。
9. 除手冊內有特別說明，否則請勿自行維修或更換抽油煙機的任何部件。必須使用原裝部件更換任何損壞的零件並需由合格技術人員進行維修。
10. 兒童使用時，需有成年人監督，確保他們不會將抽油煙機當作玩具。
11. 在牆壁或天花板鑽孔時，注意不要損壞電源連接盒或管道。
12. 排氣管道必須排向室外。
13. 廢氣必須於獨立的排氣管道排出，廢氣不可於氣體加熱設備或其他加熱設備的煙霧或排氣煙道一同排放。必須遵守所有關於煙霧排出的國家規定。

14. 如因不當使用或錯誤操作，製造商或代理商將不會承擔責任。
15. 保持正常運作及良好表現，需要定期保養及清潔，例如經常清潔機殼，可防止油漬累積，及定期清潔或更換濾網。
16. 請勿在抽油煙機下進行火焰式烹調。火焰式烹調可能會導致火災。
17. 油炸可能會導致起火。油炸時，絕對不可讓油炸鍋在無人看管的狀態。
18. 如不遵守指示去清潔抽油煙機和更換過濾網可能會導致火災。
19. 如抽油煙機沒有安裝過濾網，請勿開啟。
20. 氣體設備和煮食鍋必須在抽油煙機下方可使用。
21. 當同時操作三個以上的氣體爐頭，抽油煙機必需開啟風速2檔或更高的風速，以防止熱力積聚在電器內。
22. 觸摸燈泡前，請確保燈泡已完全冷卻。
23. 在未正確安裝燈泡時，不可使用或讓抽油煙機處於使用狀態。
24. 在進行所有安裝和維護工作時，請戴上保護手套。
25. 此電器只供家庭使用。不應室外或作商業用途使用此電器。
26. 當爐具在使用時，抽油煙機的可接觸部分可能會變得灼熱。請勿碰觸高溫部件。
27. 若未依照此說明書清潔可能會引起火災。
28. 如果電源線損壞，必須由製造商、服務代理商或是合格技術人員更換以避免危險。
29. 當抽油煙機與氣體或其他燃料的家電產品同時使用時，廚房內應保持足夠的通風。
30. 排出的油煙不得藉由氣體或其他燃料的家電產品之排氣管排出。
31. 必須遵守排放油煙的相關法律規定。

首次使用須知

拆開包裝後，請檢查產品有否在運輸過程中損壞。如有損壞，請勿安裝。如果您有任何問題，請聯絡惠而浦客戶服務部。為防止損壞，產品只能在安裝時移除保護發泡膠。

- 包裝材料（如：塑膠袋、發泡膠等）有潛在性的危險請勿讓孩童接觸。
- 請由合格技術人員進行安裝。
- 安裝前請確認銘牌上所列示的電壓符合您家的電壓。
- 接駁電源後，請檢查照明燈、摩打及開關是否正常。
- 附件：

a. 塑膠風管圈1個

b. 保證卡1張、說明書一份

c. 安裝配件包1包

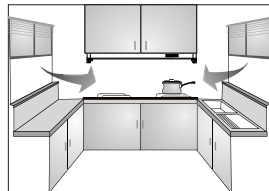
(AKTT600/IX:M4x8螺絲2個+3/16x5/8華司頭螺絲4個+3/16x40mm螺絲4個+上安裝固定片2個+下安裝固定片2個)

(AKTT900/IX:#6x1"木螺絲8個+M4x8螺絲2個)

安裝指引

1. 周圍環境

- 抽油煙機安裝位置如在窗上或附近有太多門窗，開動抽油煙機前先關閉門窗。(圖1)
- 建議油煙上升至250毫米以上，抽油煙機始能充分發揮抽油煙效果。



(圖1)

2. 安裝高度和機體位置

抽油煙機安裝高度：

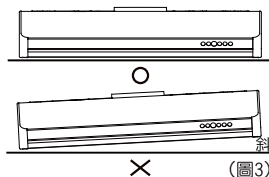
- 量度安裝高度應從抽油煙機過濾網中心垂直量度至爐頭正上方。
- 氣體煮食爐最低安裝高度為650毫米最高安裝高度為750毫米。(圖2)
- 抽油煙機體應保持左、右水平避免油杯積油溢出。(圖3)



(圖2)

3. 風喉

- 風喉必須配合本機出風管接頭之直徑（6吋）及避免太多彎位，以免影響抽風效果。
- 安裝前先以強力膠注入風管圈後將風喉嵌入，再用強力膠接合風喉與風管圈。

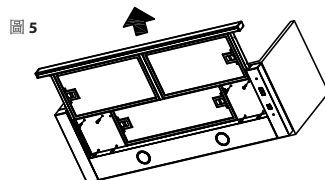
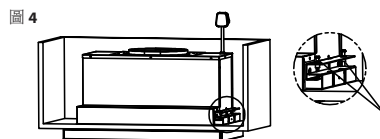
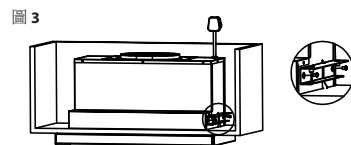
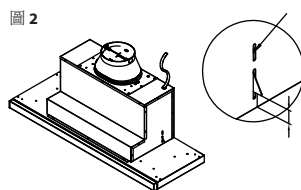
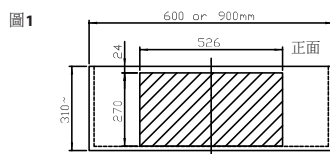


(圖3)

吊掛安裝

警告： 電氣連接必須由專業技術人員進行，
本設備必須連接接地線。
在連接之前（設備），須將連接電源線的電源斷開。

1. 根據圖一所示的尺寸在櫥櫃底部開孔。
2. 將油煙機的濾網拆下。
3. 使用(2)M4x8螺絲將塑膠風管圈安裝至機器上方。
4. 如圖2，將機器放置廚櫃並確認固定彈片確實固定在正確位置。
5. 如圖3，使用(2)3/16x3/8”螺絲將上安裝固定片鎖在機箱兩側，並確認固定螺母孔方向朝下。（只適用於600mm機型）
6. 將下安裝固定片放至左右兩側的上固定片下方。
註：下安裝固定片較寬的部分應該在底部（只適用於600mm機型）
7. 如圖5，使用(2)3/16x40螺絲鎖緊在兩側上安裝固定片的固定螺母上，廚櫃與機器前方不應有縫隙才是鎖緊的狀態。（只適用於600mm機型）
8. 使用(8)M4x16mm螺絲將機器固定在櫥櫃上。



吊掛安裝 (循環式組件 如需要)

內循環適用於無法安裝排氣管的場所。轉換後，抽油煙機即可以內循環的抽油煙機而不是外排式的抽油煙機。烹飪過程中產生的油煙通過一套選配的活性炭濾網進行抽取和過濾，淨化後的空氣會在家中再次循環。

如果可以，我們建議使用現有的安裝方式將油煙排放到家庭外，因抽油煙機的效能及效率是最高的。只有沒辦法向外排氣的情況下，才可將抽油煙機轉換成內循環抽油煙機。

當轉換成內循環方式時，須在抽油煙機上安裝一套選配的內循環組。請根據下面的零件編號訂購。標準濾網的功用是吸附烹飪中的殘留物，而選配的活性炭濾網有助於淨化從烹飪中排出的廢氣以再次循環。

* 循環式組件適用於無法安裝排氣管的廚房。

內循環組包含活性炭濾網及內循環座。

型號 零件編號

AKTT 600/IX

KITCAB03

AKTT 900/IX

1. 請依照上述零件編號購買內循環組。
2. 取下內部濾網，並安裝活性炭濾網。
3. 為了使空氣正確再次循環，必須安裝一個回風口使再循環的空氣回到廚房。排風管須從馬達接到回風口，回風口可位於櫥櫃頂部或拱腹/天花板中。
4. 活性炭濾網每使用120小時或3至4個月（平均一天煮食1-2小時）後需更換一次。

** 更換活性炭濾網

型號 零件編號 訂購數量

AKTT 600/IX

CAB03

1

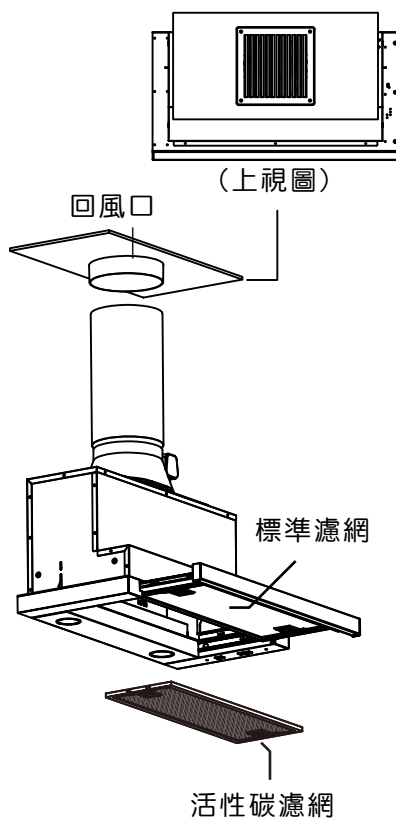
AKTT 900/IX

注意：

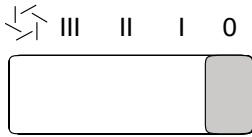
1. 請勿清洗活性炭濾網；活性炭濾網更換頻率應依煮食習慣而訂。
2. 建議在轉換成內循環時使用電磁爐。

* 循環式組件不包含在機內，需要請另外購買。

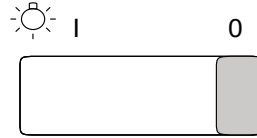
** 活性炭濾網可以獨立於我們的維修零件中心購買。



① 風速



② 照明



- ① 風速：
0為靜止，I 為低速，II為中速，III為高速。
- ② 照明：
0為關閉照明，I 為開啟照明。

注意:

1. 當濾網關閉時，馬達及燈會自動關閉，並在打開濾網時重新啟動。在濾網關閉時，馬達及燈將無法作動。
2. 請將開關依照指示推到正確位置，如未推到定位馬達及燈，將無法正確作動。

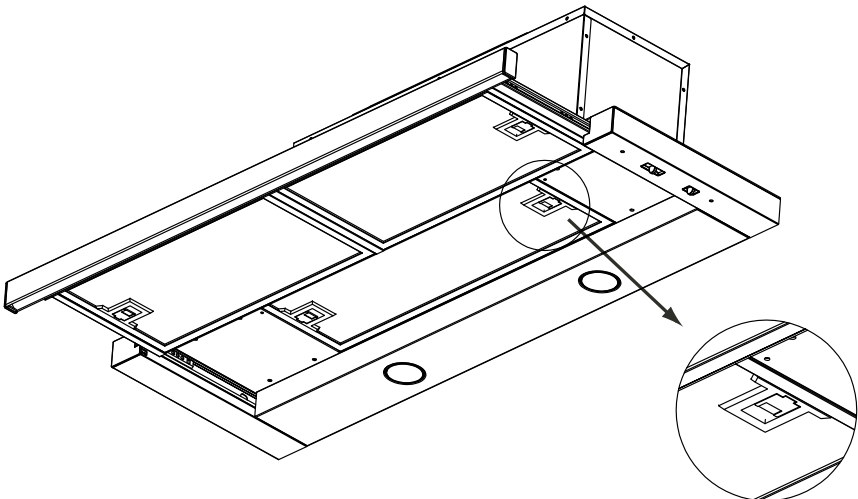
警告： 在保養和清潔前，務必確保電源切斷或關閉。

A. 機身表面保養

1. 請定期以溫和的清潔劑和棉布擦拭機身以防油垢積聚。
2. 請勿使用腐蝕性清潔液和材質過粗的布料擦拭，以免損害到機身表面。
3. 擦拭完成後，建議使用無刺激性的不鏽鋼拋光劑來進行第二次擦拭。
4. 請使用軟布輕擦，油煙機表面將會更加光亮。
5. 請勿使用含有漂白成分的清潔液。

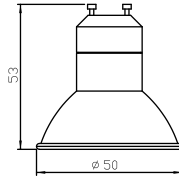
B. 保養和清潔

1. 定期清潔抽油煙機的內外側，有助保持抽油煙機的壽命，切勿使用研磨性清潔液。
2. 濾網需定期拆卸清洗，或放入洗碗機以最短的清洗程序及低溫清洗。（建議一個月清洗一次，根據煮食習慣調整清洗次數。）
3. 使用洗碗機的清潔劑可能會導致濾網變色，但不影響濾網的過濾效果。
4. 將把網扣微拉出取出濾網。
5. 用溫和的清潔液清洗濾網，待濾網完全乾透後，以相反次序重新安裝回機器即可。
6. 抽油煙機中央的油杯可拆卸作定期清潔。
7. 在開啟煮食爐前，請先開啟抽油煙機，以免廚房溫度太高。

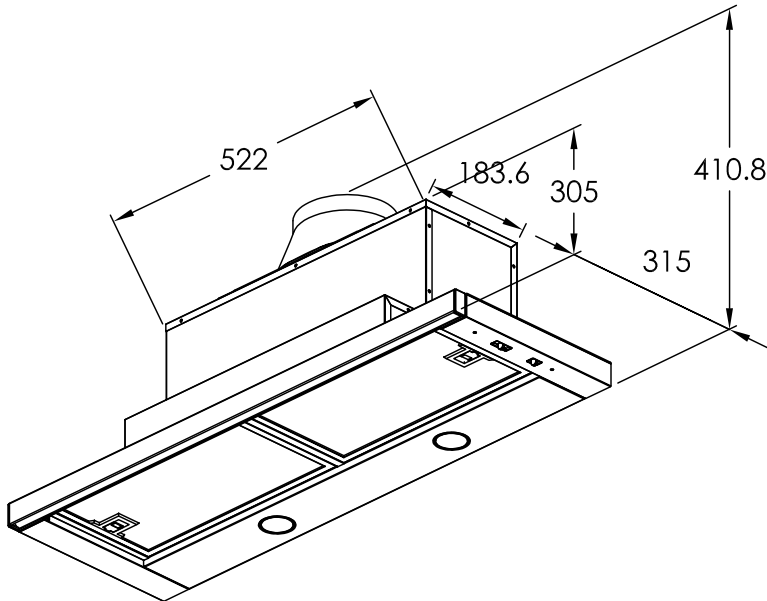


產品規格

產 品 型 號	AKTT600/IX	AKTT900/IX
淨 重	12.2Kg	14.2Kg
毛 重	14.3Kg	16.6Kg
產 品 尺 寸 (闊 × 深 × 高)	598 x 315-480 x 410.8mm	898 x 315-480 x 410.8mm
包 裝 尺 寸 (闊 × 深 × 高)	682x374x420mm	980x374x420mm
電 壓	220V,50Hz	
出 風 口 徑	6 inches	
照 明	LED 6W x2 (GU10,220V 50Hz)	



產品尺寸



Unit : mm

⚠ 警告：

- LED燈條移除前，請先切斷電源。
- 請戴上保護手套。

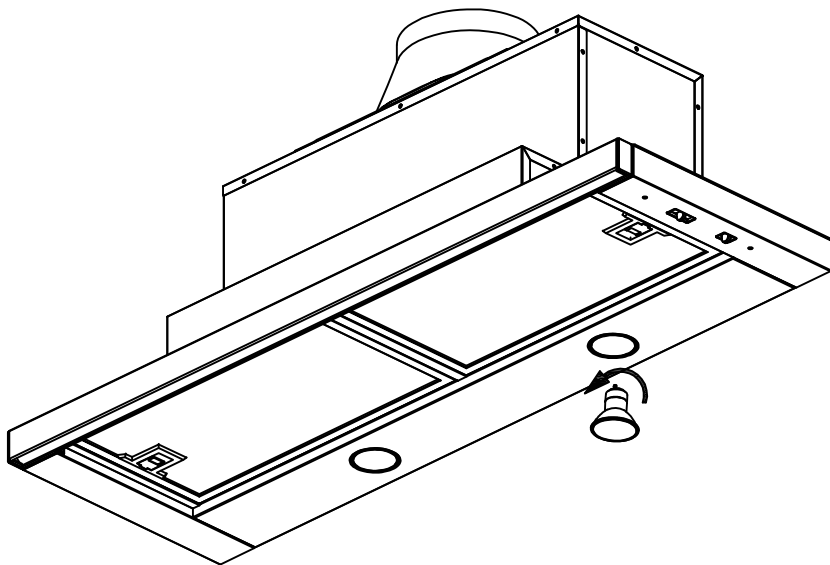
請勿擅自對本產品進行拆卸、修理或改造。

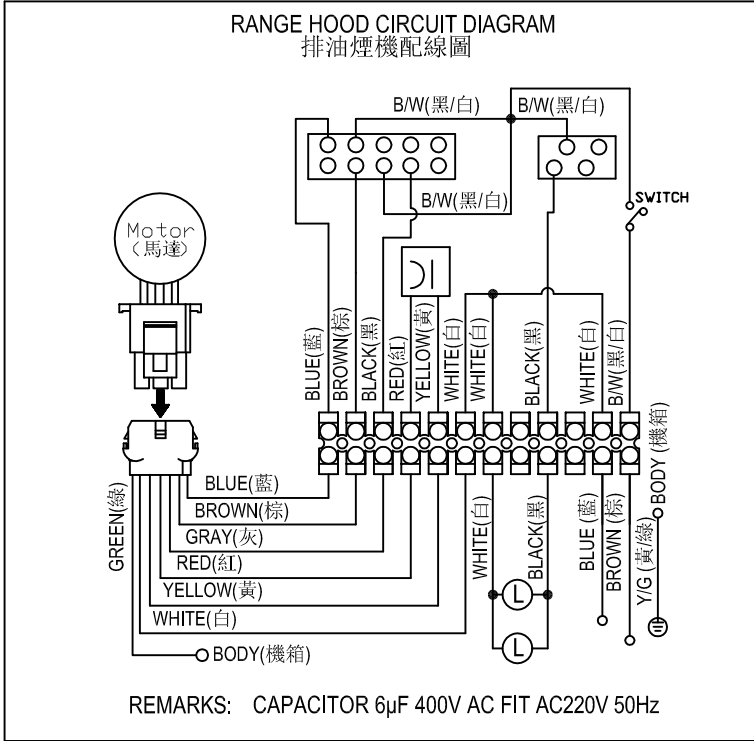
如需更換LED燈珠/燈泡，必須由合格技術人員負責進行。除專業人員外，任何維修操作均可帶來危險。

如需更換新的LED燈珠/燈泡，請聯絡惠而浦客戶服務部購買。

逆時針移除燈泡。（註：燈泡未鎖螺絲，旋轉60度，停止並取下燈泡）

如果燈泡因長期使用變的難以取下，將燈泡移除吸盤吸附在燈泡兩側或是戴上塑膠/乳膠手套逆時針將燈泡取下。





Register your product online

網上登記新產品保養

Save the planet and register your product warranty online!
Enjoy extra 1-month free warranty upon online registration.

「惠」環保出力，減少用紙！於網上登記產品更可獲額外多一個月保養。



<https://rebrand.ly/WPwarranty>

Whirlpool® Registered trademark/TM Trademark of Whirlpool group of companies

All rights reserved - <http://www.whirlpool.com.hk>

註冊商標/惠而浦集團的TM商標

版權所有 翻印必究 - <http://www.whirlpool.com.hk>



Whirlpool