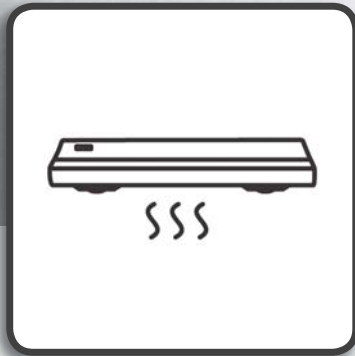


Whirlpool



Health & Safety, Use & Care and Installation guide
產品安全指引、使用說明及安裝指南

Model 產品型號 : HC338 / HC768 / HC638
HC646 / HE568 / HE438
HE2421



www.whirlpool.com.hk

Warning	1
Before using the hood & Installation	2
Procedure	3
Mounting method	4
Hood Operation	5-11
Maintenance & Cleaning	12
Hood measurement	13
Others & Specifications	14
Wiring diagram	15-17
警告	18
安裝前檢查 & 安裝守則	19
安裝注意事項	20
吊掛方式	21
功能簡介	22-28
保養與清潔	29
油機尺寸	30
注意事項及警告標示 & 性能規格表	31
線路圖	32-34

WARNING

Important:

For safety purpose, you should read the instructions carefully before using the appliance for the first time. Save the instruction for future reference. The appliance is designed for domestic use and may only be installed and operated in accordance with these instructions for use.

****Remove the protection film outside the hood before installation.**

1. Please follow the instruction in this user manual.
2. Unplug the power before doing maintenance job on the hood.
3. Wear rubber gloves when doing maintenance job on the hood.
4. Do not spray the hood with water directly.
5. When using the hood with flammable gas, please keep a good air flow in the kitchen to avoid hazard.
6. Do not burn directly under the range hood.
7. Do not share duct with other flammable gas pipes.
8. Children shall not play with the appliance.
Cleaning and user maintenance shall not be made by children without supervision.
9. There is a fire risk if cleaning is not carried out in accordance with the instructions.
10. Do not flambe under the range hood.
11. CAUTION: Accessible parts may become hot when using with cooking appliances.
12. The air must not be discharged into a flue that is used for exhausting fumes from appliances burning gas or other fuels.
13. Regulations concerning the discharged of air have to be fulfilled.
14. If the supply cord is damaged, do not operate the appliance, it must be replaced by the manufacturer, its service agent or similarly qualified persons in order to avoid a hazard.
15. This appliances is not intended for use by persons (including children), with reduced physical, sensory or mental capabilities, or lack of experience and knowledge, unless they have been given supervision or instruction.
16. Children should be supervised to ensure that they do not play with the appliance.
17. Disconnect the power supply before cleaning, repairing, replacing light bulb or dismantling the range hood.
18. The appliance should be positioned 65 – 75 cm above the cooking range.
19. The range hood must be earthed.
20. There should be adequate ventilation in the room when the range hood is used along with applying the burn gas.
21. To prevent fire hazard in case of oil build-up, the turbine impellers and other easily-soiled parts must be cleaned at least twice a month.

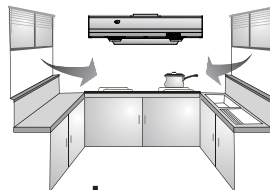
BEFORE USING THE HOOD

- Packing materials (plastic bags, polystyrene, etc.) must be kept out of children's reach, as they are potentially dangerous.
- Installation must be carried out by a qualified technician.
- Check the voltage on the rating plate which should correspond to the voltage in your home.
- Connect the power and switch on the motors and lighting system to check the operation.
- Check the following accessories before installation:
 - a. Exhaust duct adapter (6" to 6" x 1 pc, 6" to 5" x 1 pc)
 - b. Detachable oil cup 1 pc (HC338 / HC768 / HC638 / HE568 / HE438 / HC646)
Detachable oil cup 2 pcs (HE2421), oil dish 2 pcs
 - c. Light bulb 1 pc ,water jug x 1 pc (water jug only for HC338 / HC768 / HC638 / HC646)
 - d. Warranty card 1 pc and Instruction manual 1 pc
 - e. Hardware package x 1 set
(6#*1½" wooden screw x 6 pcs + washer x 6 pcs + 3/16"*1/4" screw x 4 pcs + round rubber stand x 2 pcs)

INSTALLATION

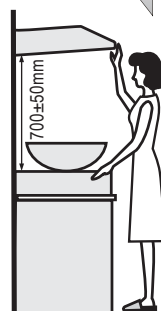
1. Location:

- Air turbulence from window/door may reduce the effectiveness of hood. Suggest to close window/door before using hood.
- The smoke has to rise up to 25 cm to be within the range of suction efficiency.



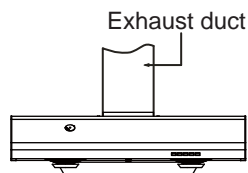
2. Position:

- The installation height is measured vertically from center of fan grille of hood to the top of the stove.
- The minimum installation height should not be less than 650 mm and the recommended height is 700±50 mm.
- Avoid left-right or front-dropped inclination.



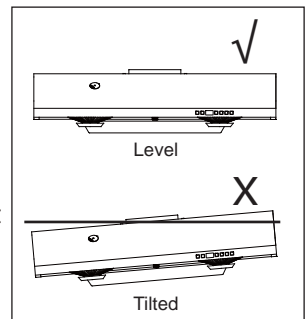
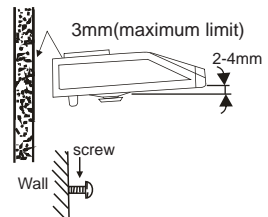
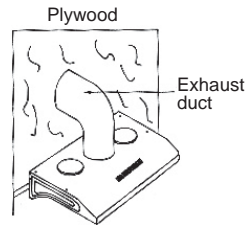
3. Exhaust duct:

- 6-inch diameter exhaust duct is recommended to use in order to maximize suction efficiency. In case of 5-inch exhaust duct, an adapter as enclosed in the packaging can be used.
- Before installing the hood, please apply fast drying glue to the collar and securely attach it to the top of the cooker hood's vent lid. Install the cooker hood and exhaust duct to the plastic collar and seal with fast drying glue.



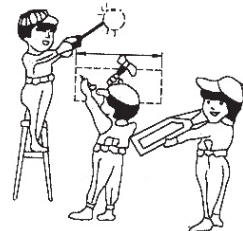
PROCEDURE

1. Find a suitable installation position of hood which should be next to a window and can be cut to let the exhaust duct pass through.
2. If the exhaust duct has to pass through the wall, particular attention must be paid to the structure of the wall as steel reinforcement may be embedded.
3. Mark the location of exhaust outlet hole, then cut/ drill the hole with care.
4. Fix the position of hood and mark the position of the two hanging hooks.
5. Drive 2 steel nails into the selected wall with 3 mm (maximum) space leave behind for hanging the hood.
6. Adjust the hanging hooks on both sides of the hood and hang the hood on the steel nails, and then adjust the hood from side to side and from front and back to a horizontal position.
7. Follow the instruction print on the enclosed exhaust duct adapter and connect the exhaust duct adapter to the hood and window/wall. 5-inch or 6-inch duct can be used.
8. Fasten the hanging bracket to the wall by screws from the fixed holes to avoid of being hanged up by accident.
9. **To ensure drainage performance, hood shall be installed with slope (2 - 4 mm) as shown in figure. And rubber cushion(at rear housing) MUST NOT be removed, otherwise appliance will be operated unstable/noisy and water leakage.**



Keeps the hood in level to avoid the oil leaking from oil cup.

Drill a hole for the air tube Drive 2 steel nails in, on the upper corner of the both side of the hood.



Adjust the hang hood and prepare to install

MOUNTING METHOD

1. Rear mounting (2 brackets are pre-installed)

Use 2 screws and 2 washers to secure the hood to the wall.

(HC338 / HC768 / HC638 / HE568 / HE438 See FIG.1, HE2421 See FIG.2, HC646 See FIG.3)

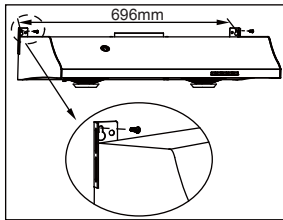


FIG.1

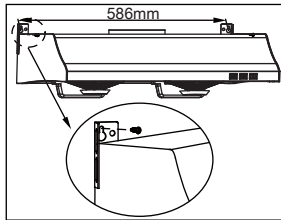


FIG.2

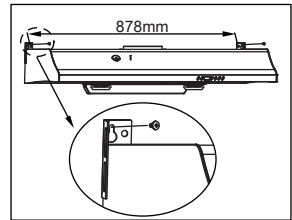


FIG.3

2. Top mounting

Use 4 wooden screws and 4 washers to secure the hood to the bottom of the cabinet. Lift hood onto screws located on cabinet bottom and lock into place. Make sure all 4 key-holes cover the screws. Tighten each screw to secure hood to cabinet.

(HC338 / HC768 / HC638 / HE568 / HE438 See FIG.4, HE2421 See FIG.5, HC646 See FIG.6)

Stick the two round rubber stands on the sides of hood's top(see FIG.7).

(Note: Make sure all 4 key-holes cover the screws and each screw was tightened. Otherwise, there will be potential risk of machine falling down.)

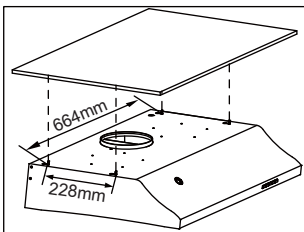


FIG.4

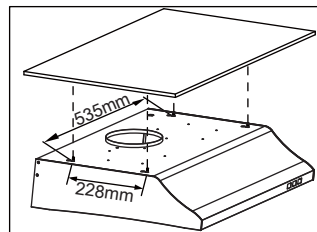


FIG.5

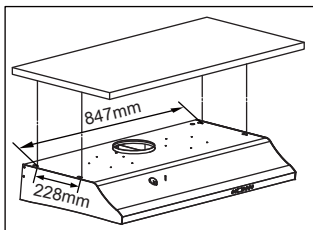


FIG.6

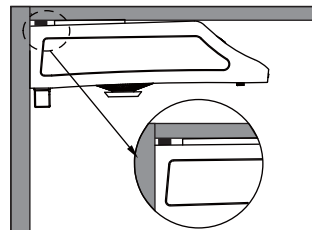


FIG.7

HOOD OPERATION

Auto clean and Easy dismantle 2 in 1 cookerhood

Model:HC338

(1) Fans On/Off and Delay-off

Power Function

- Turn on and off the fans.
- When auto clean or delay off is enabled, press this button to cancel.

Delay Off Function

- With the fans on or off, press and hold this button for 3 seconds. The 5 minutes delay off timer will start with one beep sound and the fans will start according to the last memorized speed.
- The fans and light will automatically turn off after 5 minutes delay off with two beep sounds.

(2) L/R Change the left and right fan

- Press this button to change left and right fan, L&R > L > R.
- When auto clean is enabled, this button cannot functioned.
- When the delay off is enabled, still can change the left and right fan.

(3) Change the fan speed

- Press this button to change the high and low speed.
- When the fans are off or the auto clean is enabled, this button cannot operate.
- When the delay off is enabled, still can change the fan speed.


(4) Auto Clean

- No matter fans are on or off, press this button to enable the auto clean.
- The hood shall be cleaned by using hood cleaner/detergent. Please do not use abrasive cleaner/detergent which will damage the machine.



Cleaning Steps:

a. Mix the cleaner/detergent and water by pouring them to the marked level of the provided water jug. (the cleaner/detergent : water = 1:12). Pour the cleaner/detergent mixture in the water inlet as shown in the picture.

b. If the cleaner/detergent mixture comes out from the excess water hole down into the oil cup, it means that inside water tank is full and no more shall be poured into the water tank.

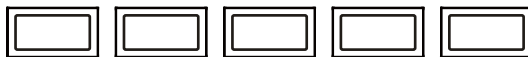
c. Press the Auto Clean () button to start with one beep sound. The fans will change to low speed for 3 seconds, and then the water pump will operate for 10 seconds. Then fans change to high speed and start cleaning for 25 seconds. The auto clean process will end with two beep sounds.

d. Dirty oil/water will be flowed into the oil cup.

- When auto clean is enabled, press On/Off () button to cancel at anytime.
- During auto clean process, please refill with water and press auto clean () button to continue the process in case of inadequate water.

(5) Light

- Press this button to turn on and off light.
- The light can be operate independently, it only will turn off automatically after 5 minutes delay off.



(1)



(2)



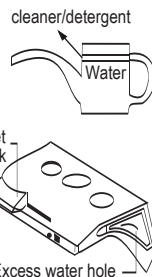
(3)



(4)

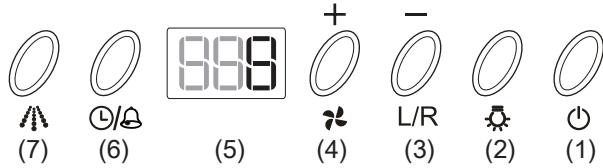


(5)




HOOD OPERATION

Auto clean and Easy dismantle 2 in 1 cookerhood Model:HC768




(1) Power On/Off

- Press once On/Off () button, the appliance will be in stand-by mode.
- Press once again, the appliance will be turned off with all function stopped, except the light bulb is an independent control.


(2) Light

- Press this button to turn on and off light.
- The light can be operated independently; it only will turn off automatically after delay off process is completed.

(3) L/R Change the left and right fan

- Press On/Off () button to go into stand-by mode before pressing this button to change the L/R fans.
- Press this button to change left and right fan, -3- > -3 > 3-, if fan speed 3 is operating.
- When the auto clean is enabled, this button cannot operate.
- When the delay off or alarm is enabled, still can change the left and right fan.

(4) Fan: Change the fan speed

- Press On/Off () button to go into stand-by mode before pressing this button to change the fan speed.
- For 1st time use, the default fan speed is 3 with both fans running at the same time.
- Fan speed will change from -3- > -2- > -1-> -3-, if turn on both fans.
- Fan speed will change from -3 > -2 > -1 > -3 , if only turn on left fan.
- Fan speed will change from 3-> 2-> 1-> 3-, if only turn on right fan.
- When the auto clean is enabled, this button cannot functioned.
- When the delay off or alarm is enabled, still can change the fan speed.

(5) Display: below is list of each digital display

Display	Meaning	Display	Meaning
-3-	left and right fan both at 3 speed	dL	Delay Off
-2	left fan at 2 speed	AL	Alarm
1-	right fan at 1 speed	C	Clean
3.45	3 hours and 45 minutes	L	low water level
---	hood is at stand-by mode	CR	15 hours clean reminder

HOOD OPERATION

(6) 🕒🔔 Delay Off / Alarm

- 🕒 Delay off

- Press this button once to enable delay off.
- The default fan speed is 3. The 2nd time usage will follow the last memorized fan speed.
- The default time is 5 minutes. The 2nd time usage will follow the last memorized time.
- The delay off process will start with one beep sound and end by two beep sound with light turn off as well.
- Time set for delay off or alarm will be range from 1 min to 10 hrs. Press Fan (+) button to increase time and L/R (-) button to decrease time.

- 🔔 Alarm

- Press this button twice to enable alarm function.
- The default time is 1 min. The 2nd time usage will follow the last memorized time.
- The alarm function will start with one beep sound. When time is up, the display will illuminates "0.00" with 15 times beep sound. Press any button to stop the beep sound, the display of "0.00" will be disappeared, and then resume the original operating status. Or simply press the On/Off (🔌) button to turn off the machine.
- Time set for delay off or alarm will be range from 1 min to 10 hrs. Press Fan (+) button to increase time and L/R (-) button to decrease time.
- Delay off or Alarm cannot be enabled at the same time.
- When delay off or alarm function is enabled, auto clean cannot functioned.

(7) 🧽 Auto Clean

- When fans are on or off, press this button to enable the auto clean.
- The hood shall be cleaned by using hood cleaner/detergent. Please do not use abrasive cleaner/detergent which will damage the machine.
- Cleaning Steps:

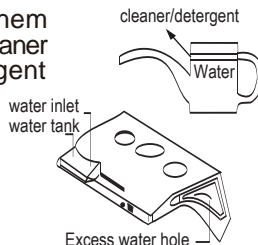
a. Mix the cleaner/detergent and water by pouring them to the marked level of the provided water jug. (the cleaner /detergent : water = 1:12). Pour the cleaner/detergent mixture in the water inlet as shown in the picture.

b. If the cleaner/detergent mixture comes out from the excess water hole down into the oil cup, it means that inside water tank is full and no more shall be poured into the water tank.

c. Press the Auto Clean (🧽) button to start with one beep sound. The fans will change to low speed for 3 seconds, and then the water pump will operate for 10 seconds. Then fans change to high speed and start cleaning for 25 seconds. The auto clean process will end with two beep sounds.

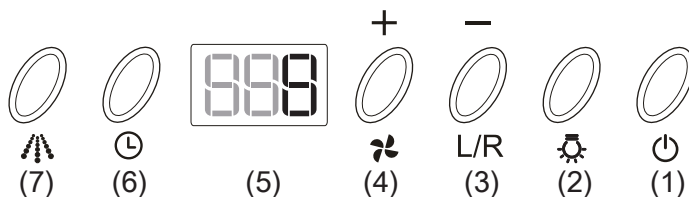
d. Dirty oil/water will be flowed into the oil cup.

- When auto clean is enabled, press On/Off (🔌) button to cancel at anytime.
- If the water level is low, the hood will have beep sound and with display indication. Refill with water and press Auto Clean (🧽) button to continue cleaning process.
- After operation of 15 hours, there will be clean reminder shown on display every time when you turn off the machine. The reminder display disappear when you enable the auto clean function or pressing On/Off (🔌) button for 3 seconds.



HOOD OPERATION

Auto clean and Easy dismantle 2 in 1 cookerhood
Model:HC638 / HC646



(1) Power On/Off

- Press once On/Off () button, the appliance will be in stand-by mode.
- Press once again, the appliance will be turned off with all function stopped, except the light bulb is an independent control.

(2) Light

- Press this button to turn on and off light.
- The light can be operated independently; it only will turn off automatically after delay off process is completed.

(3) L/R Change the left and right fan

- Press On/Off () button to go into stand-by mode before pressing this button to change the L/R fans.
- Press this button to change left and right fan, -3- > -3 > 3-, if fan speed 3 is operating.
- When the auto clean is enabled, this button cannot operate.
- When the delay off is enabled, still can change the left and right fan.

(4) Fan: Change the fan speed

- Press On/Off () button to go into stand-by mode before pressing this button to change the fan speed.
- For 1st time use, the default fan speed is 3 with both fans running at the same time.
- Fan speed will change from -3- > -2- > -1-> -3-, if turn on both fans.
- Fan speed will change from -3 > -2 > -1 > -3 , if only turn on left fan.
- Fan speed will change from 3-> 2-> 1-> 3-, if only turn on right fan.
- When the auto clean is enabled, this button cannot functioned.
- When the delay off is enabled, still can change the fan speed.

(5) Display: below is list of each digital display

Display	Meaning	Display	Meaning
-3-	left and right fan both at 3 speed	dL	Delay Off
-2	left fan at 2 speed	C	Clean
3.45	3 hours and 45 minutes	L	low water level
---	hood is at stand-by mode	CR	15 hours clean reminder

HOOD OPERATION

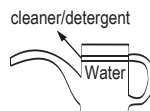
(6) Delay Off

- Press this button once to enable delay off.
- The default fan speed is 3. The 2nd time usage will follow the last memorized fan speed.
- The default time is 5 minutes. The 2nd time usage will follow the last memorized time.
- The delay off process will start with one beep sound and end by two beep sound with light turn off as well.
- Time set for delay off or alarm will be range from 1 min to 10 hrs. Press Fan (+) button to increase time and L/R (-) button to decrease time.
- When delay off function is enabled, auto clean cannot functioned.

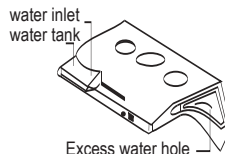
(7) Auto Clean


- When fans are on or off,press this button to enable the auto clean.
- The hood shall be cleaned by using hood cleaner/detergent. Please do not use abrasive cleaner/detergent which will damage the machine.
- Cleaning Steps:

a. Mix the cleaner/detergent and water by pouring them to the marked level of the provided water jug. (the cleaner/detergent : water = 1:12).Pour the cleaner/detergent mixture in the water inlet as shown in the picture.






b. If the cleaner/detergent mixture comes out from the excess water hole down into the oil cup, it means that inside water tank is full and no more shall be poured into the water tank.



c. Press the Auto Clean () button to start with one beep sound. The fans will change to low speed for 3 seconds, and then the water pump will operate for 10 seconds. Then fans change to high speed and start cleaning for 25 seconds. The auto clean process will end with two beep sounds.

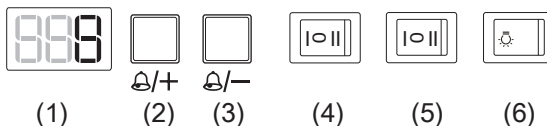
d. Dirty oil/water will be flowed into the oil cup.

- When auto clean is enabled, press On/Off () button to cancel at anytime.
- If the water level is low, the hood will have beep sound and with display indication. Refill with water and press Auto Clean () button to continue cleaning process.
- After operation of 15 hours, there will be clean reminder shown on display every time when you turn off the machine. The reminder display disappear when you enable the auto clean function or pressing On/Off () button for 3 seconds.

HOOD OPERATION

Easy dismantle cookerhood

Model:HE568



(1) Display: below is list of each digital display

Display	Meaning	Display	Meaning
3.45	3 hours and 45 minutes	0.00	Time is up

(2) Alarm / up

- When hood is off, press this button to activate the alarm function and set the time. You can increase the setting time of alarm. Press and hold this button to increase faster. After setting, the display will blink 3 seconds if not press any more, and then goes into count down. During blinking, it cannot cancel the alarm operation.
- The default time is 1 min. The 2nd time usage will follow the last memorized time.
- The alarm function will start with one beep sound. When time is up, the display will illuminates "0.00" with 15 times beep sound. You can press or to stop the beep sound, the display of "0.00" will be disappeared.
- Time set for alarm will be range from 1 min to 10 hrs.
- During count down, press this button to cancel the alarm function at any time and the display will be disappeared.

(3) Alarm /down

- When hood is off, press this button to activate the alarm function and set the time. You can decrease the setting time of alarm. Press and hold this button to decrease faster. After setting, the display will blink 3 seconds if not press any more, and then goes into count down. During blinking, it cannot cancel the alarm operation.
- The default time is 1 min. The 2nd time usage will follow the last memorized time.
- The alarm function will start with one beep sound. When time is up, the display will illuminates "0.00" with 15 times beep sound. You can press to stop the beep sound, the display of "0.00" will be disappeared.
- Time set for alarm will be range from 1 min to 10 hrs.
- During count down, press this button to cancel the alarm function at any time and the display will be disappeared.

(4) Left fan control

- Press (|) to turn on the left fan at low speed. Press (||) to turn on the left fan at high speed. Press (o) to turn off the left fan.

(5) Right fan control

- Press (|) to turn on the right fan at low speed. Press (||) to turn on the right fan at high speed. Press (o) to turn off the right fan.

(6) Light

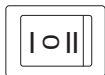
- Press to turn on and off the light.

HOOD OPERATION

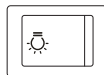
Easy dismantle cookerhood
Model: HE438 / HE2421



(1)



(2)



(3)


(1) Left fan control

- Press (|) to turn on the left fan at low speed. Press (||) to turn on the left fan at high speed. Press (o) to turn off the left fan.

(2) Right fan control

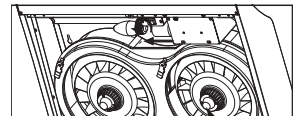
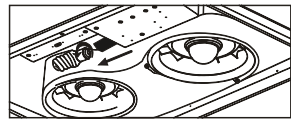
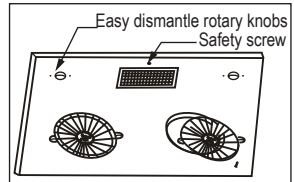
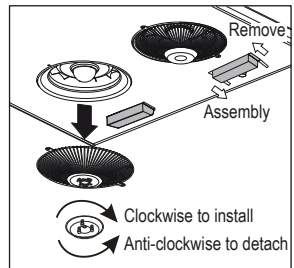
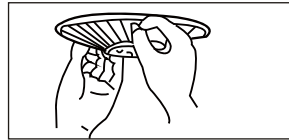
- Press (|) to turn on the right fan at low speed. Press (||) to turn on the right fan at high speed. Press (o) to turn off the right fan.

(3) Light

- Press  to turn on and off the light.

MAINTENANCE & CLEANING

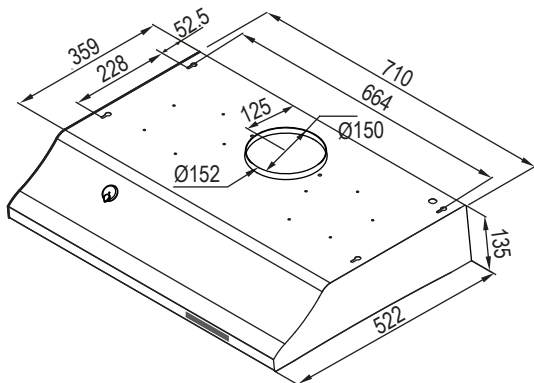
1. Always disconnect from power supply before cleaning.
2. Clean both exterior and interior of the hood for long lasting.
3. Fan protection grille can be detached for cleaning by removing the screws with a screwdriver. It must be reinstalled after cleaned.
4. Oil dish on the grille can also be detached for cleaning by turning the dish anti-clockwise.
5. The oil cup in the centre of the hood for holding grease can be detached and cleaned regularly.
6. Make a habit to turn on the hood before using stove to avoid high heat in the kitchen.
7. The two easy dismantle rotary knobs are set bottom panel, please turn them anti-clockwise to " _ " then loosen safety screw to dismount the bottom panel. It is easy to clean and repair. To turn easy dismantle rotary knobs to " | " and fasten the safety screw to set bottom panel back.
8. Please must disconnect power before installing light bulb. To refer Item 7 to dismount bottom panel and then fasten/loosen light bulb with socket.
Note: For HC338 / HC768 / HC638 / HC646 / HE568 / HE438 / HE2421, they can be replaced with 4W max. LED light bulb or 14W max. energy saving lamp.
The light bulb MUST be equipped with international safety mark.
9. After turned the easy dismantle rotary knobs to dismantle the bottom panel, please remove the two residue pans before taking out the bottom panel from hood.
10. Please make sure the motor caps are tightened properly after clean avoiding abnormal vibration.



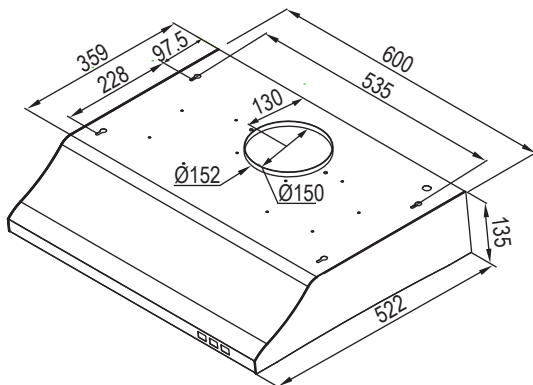
Motor cap

HOOD MEASUREMENT

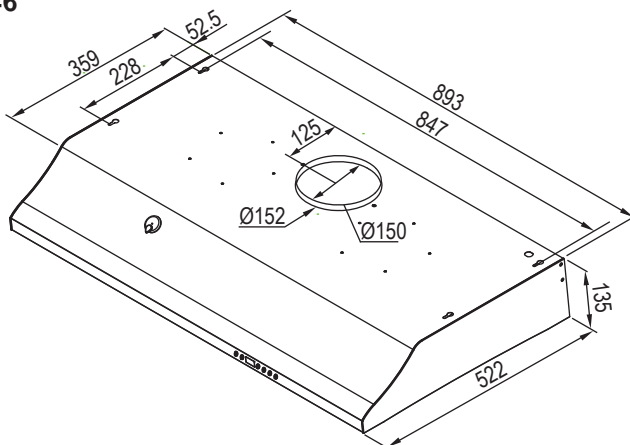
Model : HC338 / HC768 / HC638 / HE568 / HE438



Model : HE2421



Model : HC646



unit:mm

OTHERS

1. Repair service including replacement of main cord should only be carried out by manufacturer, its service agent or a qualified technician. It is dangerous for anyone other than the above mentioned people to perform repair service.
2. Hazardous smoke/fume generated from burning Town gas/L.P. gas or/and cooking must be discharged outside the kitchen through the exhaust pipe.
3. Air ventilation inside kitchen must be maintained in good condition when using the hood.
4. It is dangerous if cleaning is not carried out in accordance with the instructions specified in this user manual.
5. Do not directly flame the range hood.
6. During installation, power supply must be disconnected.
7. Rubber cushion (at rear housing) **MUST NOT** be removed, otherwise appliance will be operated unstable/noisy and water leakage.

Specifications

Model	HC338S / HC768S / HC638S	HE568S	HE438S	HC638W	HE438W
Net Weights	14 KGs	13 KGs	12.5 KGs	12.5 KGs	11.8 KGs
Gross Weights	16 KGs	15 KGs	14.5 KGs	15.6 KGs	14.8 KGs
Light Bulb	Max 14W energy saving bulb			Max 4W LED bulb	
Hood Size	W 710 x D 522 x H 135 (mm)				
Packing Size	W 840 x D 630 x H 246 (mm)				
Voltage	220-240V,50Hz				

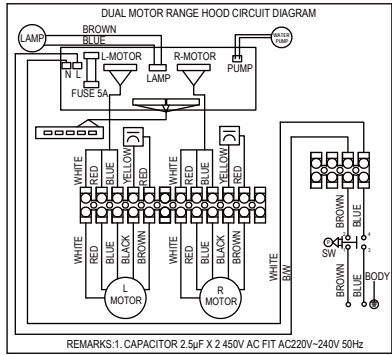
Specifications

Model	HE2421S	HC646S
Net Weights	11.2 KGs	14.2 KGs
Gross Weights	13.6 KGs	16.9 KGs
Light Bulb	Max 4W LED bulb	
Hood Size	W 600 x D 522 x H 135 (mm)	W 893 x D 522 x H 135 (mm)
Packing Size	W 730 x D 630 x H 246 (mm)	W 1040 x D 630 x H 246 (mm)
Voltage	220-240V,50Hz	

WIRING DIAGRAM

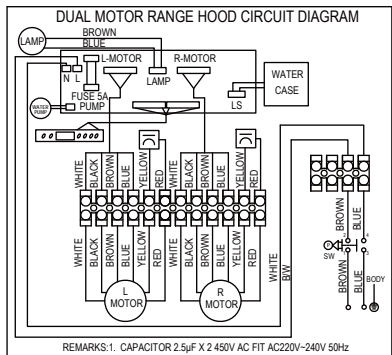
Whirlpool

Model: HC338S
 Voltage 220V-240VAC 50Hz
 Power consumption
 Total: 171W Max.
 Lamp: Energy Saving 14W Max.
 Fan: 157W
 Serial No. AAE
 Date of mfr.



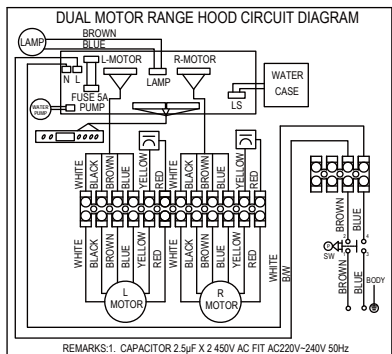
Whirlpool

Model: HC768S
 Voltage 220V-240VAC 50Hz
 Power consumption
 Total: 171W Max.
 Lamp: Energy Saving 14W Max.
 Fan: 157W
 Serial No. AAE
 Date of mfr.



Whirlpool

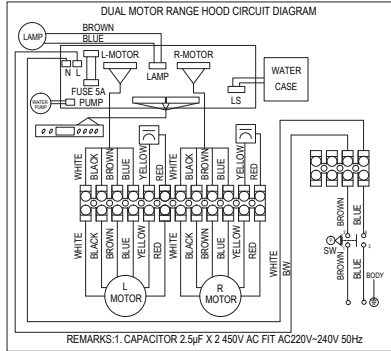
Model: HC638S
 Voltage 220V-240VAC 50Hz
 Power consumption
 Total: 171W Max.
 Lamp: Energy Saving 14W Max.
 Fan: 157W
 Serial No. AAE
 Date of mfr.



WIRING DIAGRAM

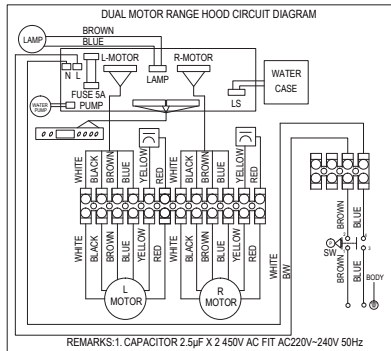
Whirlpool

Model: HC638W
 Voltage 220V-240VAC 50Hz
 Power consumption
 Total: 171W Max.
 Lamp: LED 4W Max.
 Fan: 157W
 Serial No. AAE
 Date of mfr.



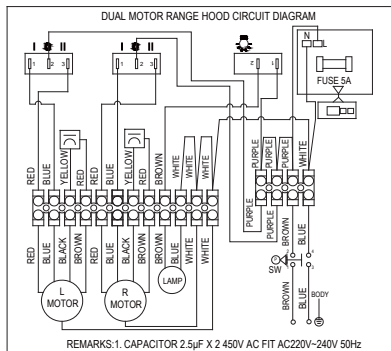
Whirlpool

Model: HC646S
 Voltage 220V-240VAC 50Hz
 Power consumption
 Total: 171W Max.
 Lamp: LED 4W Max.
 Fan: 157W
 Serial No. AAE
 Date of mfr.



Whirlpool

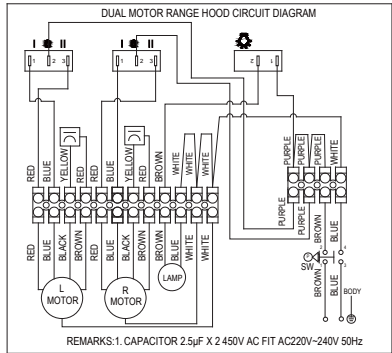
Model: HE568S
 Voltage 220V-240VAC 50Hz
 Power consumption
 Total: 171W Max.
 Lamp: Energy Saving 14W Max.
 Fan: 157W
 Serial No. AAE
 Date of mfr.



WIRING DIAGRAM

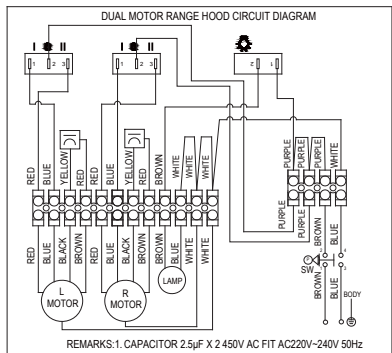
Whirlpool

Model: HE438S
 Voltage 220V-240VAC 50Hz
 Power consumption
 Total: 171W Max.
 Lamp: Energy Saving 14W Max.
 Fan: 157W
 Serial No. AAE
 Date of mfr.



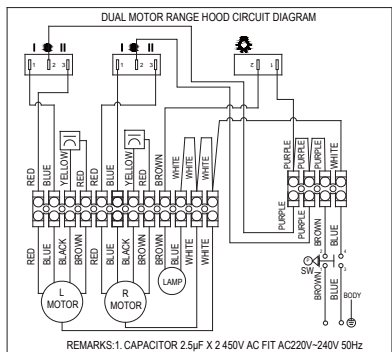
Whirlpool

Model: HE438W
 Voltage 220V-240VAC 50Hz
 Power consumption
 Total: 171W Max.
 Lamp: LED 4W Max.
 Fan: 157W
 Serial No. AAE
 Date of mfr.



Whirlpool

Model: HE2421S
 Voltage 220V-240VAC 50Hz
 Power consumption
 Total: 171W Max.
 Lamp: LED 4W Max.
 Fan: 157W
 Serial No. AAE
 Date of mfr.



警告

重要說明

為安全起見，初次使用產品前請先細閱本說明書，並保存本說明書，以便作參考之用。

本產品只供家居使用，請必須依照本說明書內的指示安裝及操作。

**安裝前請先撕除抽油煙機機箱外的保護膠膜。

1. 請依照本說明書內的指示安裝及操作。
2. 維修抽油煙機前，請務必切斷電源。
3. 維修抽油煙機時，請戴上橡膠手套。
4. 請勿直接噴水在抽油煙機上。
5. 當與易燃氣體一起使用時，廚房請保持良好的通風，以避免危險。
6. 不可在抽油煙機下方直接燃燒。
7. 請勿與其他易燃氣體共用排氣通道。
8. 孩童不可玩耍此抽油煙機。且不可在無人監督下操作此抽油煙機。
9. 若未依此說明書執行清潔可能產生危險或引起火災。
10. 不可在抽油煙機下方點燃酒精等易燃物品。
11. 在煮食過程部份零配件有可能會變燙。
12. 排出的油煙不得藉由瓦斯或其他燃料之排氣通道釋出。
13. 排出的油煙程序需符合相關的排放空氣法規。
14. 若電源線損壞，請勿操作抽油煙機。必須由製造廠或服務處或具有類似資格的技术人員更換以避免危險。
15. 不可使用此抽油煙機的人:生理、感官或心智能力不足(包括兒童)，或缺乏相關經驗和知識。除非他們是在被監督或有其他具相關訓練的人員指導下方可使用。
16. 孩童不可玩耍此抽油煙機。並應在監督下操作此抽油煙機。
17. 清潔、維修抽油煙機或更換燈膽前或卸下抽油煙機前請切斷電源。
18. 此抽油煙機需安裝於煮食爐上方65~75厘米處。
19. 此抽油煙機必須接地。
20. 當此抽油煙機與易燃氣體一起使用時，房間內需有充份的通風。
21. 為避免抽油煙機積油產生危險或引起火災，每月至少清洗兩次保護網、扇葉和其他容易積油的零配件。

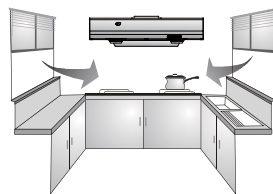
安裝前檢查

- 包裝材料(如:塑膠袋、發泡膠等)有潛在性的危險請勿讓孩童接觸。
- 請由受過專業訓練的技術人員進行安裝。
- 安裝前請確認規格線路標籤上所列示的電壓符合您家的電壓。
- 安裝前燈膽後接上電源，檢查照明、摩打及開關是否正常。
- 安裝前檢查下列附件：
 - a. 風管圈 (6"轉 6" 1個、6"轉5" 1個)
 - b. 油杯1個 (HC338 / HC768 / HC638 / HE568 / HE438 / HC646)
油杯2個(HE2421)、小油盤2個
 - c. 燈膽1 個、水壺1個 (水壺只限HC338 / HC768 / HC638 / HC646)
 - d. 保證卡1張、說明書1本
 - e. 螺絲包1組
(6#*1½"木螺釘6支、墊片6個、3/16"*1/4" 螺絲4支、圓型海綿墊2個)

安裝守則

(1) 周圍環境

- 抽油煙機安裝位置如在窗上或附近有太多門窗，請再開動抽油煙機前先關閉門窗。
- 建議油煙上升至25厘米以上，抽油煙機始能充份發揮抽油煙效果。



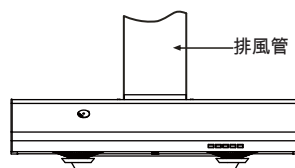
(2) 安裝高度和機體位置

- 抽油煙機安裝高度，自本機底板至瓦斯爐面之距離以700±50毫米為最理想。
- 機體應保持左、右水平，避免油杯積油溢出。



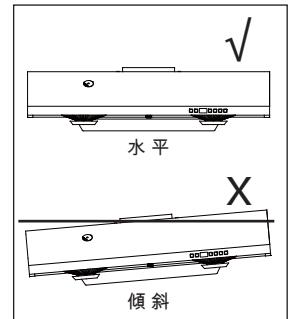
(3) 排風管

- 排風管必須配合本機出風管接頭之直徑(6吋)及避免太多彎位，以免影響抽風效果。若為5吋出風管，請使用附件的轉換風管圈。
- 安裝前先以強力膠注入風管圈後將風管 嵌入，再用強力膠接合排風管與風管圈。



安裝注意事項

1. 排氣管的理想安裝位置為於爐台正對窗戶安裝，可敲下一方玻璃，安裝一塊穿有彎管孔大的合板，排氣管由此孔穿出，絕不損壞壁面。
 2. 若排風管為鑽穿牆洞，鑽洞時應要留意牆壁結構和質料，切勿破換牆洞以外之壁面。
 3. 在壁面畫好鑽洞範圍，在使用電鑽鑽穿牆壁。
 4. 在已選定的安裝位置上，釘上螺絲釘。
 5. 調整機體兩側之掛鈎(吊鐵)，將機體懸掛於螺絲釘上。
 6. 先量好彎管正對牆面位置，釘頭與牆壁間最多保持3毫米距離，作掛鈎之用此舉有助機身保持水平。
 7. 懸掛後，機體要保持一定水平。
 8. 照已選好排氣管的適當位置，選擇適當長度的直管進行裝設。
 9. 機體前後請調整2-4毫米的斜度固定機體，以保持油槽運行方向順暢。
- 注意: 請勿移除機身後方的海綿墊，此為防震用，若移除有可能產生運作不穩定、異音和漏水現象。



安裝水平:
抽油煙機的安装應保持水平，
防止油汗從油杯溢出來。

排風管洞鑽洞



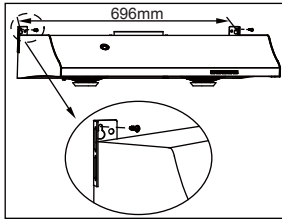
調好掛鈎準備安裝

吊掛方式

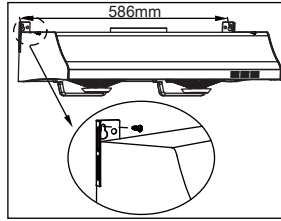
(1) 後吊掛-掛牆(吊掛片為預鎖)

使用兩支木螺絲(如果牆身物料並非木材，請使用爆炸螺絲)及兩個墊片將抽油煙機固定於牆壁上。

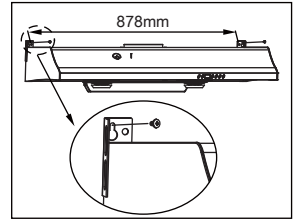
(HC338 / HC768 / HC638 / HE568 / HE438見圖一，HE2421見圖二，HC646見圖三)



圖一



圖二



圖三

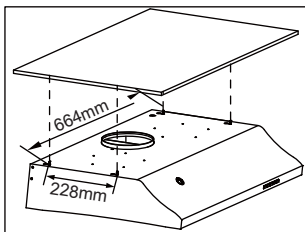
(2) 上吊掛

使用四支螺絲及四個墊片，將抽油煙機固定於櫥櫃下方。先將四支螺絲鎖在櫥櫃下方，再將抽油煙機扣上螺絲後，將四支螺絲鎖緊，並確認抽油煙機牢固且不會移動。

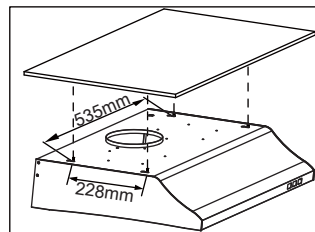
(HC338 / HC768 / HC638 / HE568 / HE438見圖四，HE2421見圖五，HC646見圖六)

在抽油煙機頂部兩端黏貼圖型海綿墊(見圖七)。

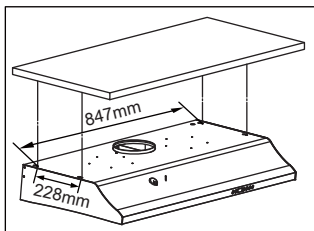
(注意: 必須確認抽油煙機已牢固且不能移動，否則抽油煙機會有下塌風險)



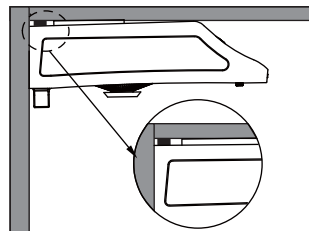
圖四



圖五



圖六

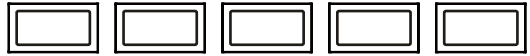


圖七

功能簡介

自動清洗及易拆式二合一油煙機

機型:HC338



(1) 風扇開關和延遲關機功能



(1)

- 開關

- 開啟及關閉風扇。
- 當執行自動清洗或延遲關機功能時，按此鍵可即時關機。

- 延遲關機

- 風扇開啟或關閉狀態下，按住此鍵3秒將會啟動延遲關機功能，內置為5分鐘，且風扇會啟動於上次開啟的風速，延遲開關啟動時會發出一聲嗶聲。
- 風扇及照明會於5分鐘後自動關閉，關閉時會發出兩聲嗶聲。

(2) L/R 左/右風扇開關

- 按下此鍵可選擇切換左/右風扇的運作，每按一下此鍵風扇將左及右>左>右循環變化。

- 當自動清洗執行時，按此鍵無效。

- 當延遲關機執行時，仍可選擇左/右風扇。

(3) 風速調整

- 按下此鍵切換高/低速。

- 當風扇關閉時或自動清洗執行時，按此鍵無效。

- 當延遲關機執行時，仍可調整風扇風速。

(4) 自動清洗功能

- 風扇開啟或關閉狀態下，按下此鍵啟動自動清洗功能。

- 可使用清潔劑稀釋液清洗。為避免抽油煙機損壞，請勿使用腐蝕性的清潔劑。

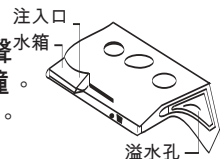
- 清洗步驟：

a. 使用專用水壺，先加入水到水壺指示的份量，再倒入清潔劑混合(清潔劑:水=1:12)。並從抽油煙機之注水口倒入清潔劑稀釋液。



b. 當溢水孔溢出清潔劑稀釋液至油杯即表示水位已滿，應停止再倒入清潔劑稀釋液至水箱中。

c. 按下自動清洗()鍵即啟動摩打，啟動時會發出一聲嗶聲。風扇會改為低速3秒鐘後，水泵會啟動10秒鐘。然後風扇會改為高速且開始執行25秒鐘的自動清洗。結束時會發出兩聲嗶聲。



d. 油污液體將會流入油杯。

- 當自動清洗執行時，可按下開關()隨時取消自動清洗。

- 在自動清洗過程中，如水量不足夠，可即時加水並再按自動清洗()鍵繼續清洗流程，請加水以確保水量是足夠執行自動清洗功能。

(5) 照明

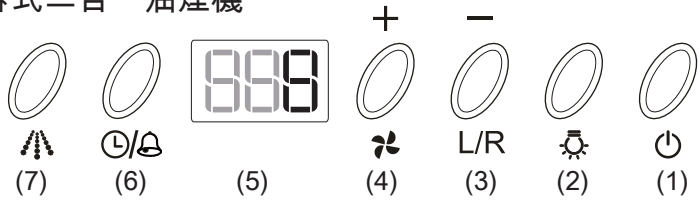
- 按下此鍵開啟或關閉照明。

- 照明可獨立操作，僅5分鐘延遲關機結束後會自動關閉照明。

功能簡介

自動清洗及易拆式二合一油煙機

機型:HC768



(1) 開關

- 按一下開關(⏻)鍵，油機將進入待機模式。
- 再按下此鍵，油機將會關機，所有功能將停止，除照明外。照明可獨立操作。

(2) 照明

- 按下此鍵開啟或關閉照明。
- 照明可獨立操作，僅延遲關機結束後會自動關閉照明。

(3) L/R 左/右風扇開關

- 先按下開關(⏻)鍵進入待機模式後，方可開啟或關閉左/右風扇。
- 按下此鍵風扇會循環變化。例如:當風扇於3速執行時，按下此鍵風扇會 -3- > -3 > 3- 循環變化。
- 當自動清洗執行時，按此鍵無效。
- 當延遲關機或鬧鈴功能執行時，仍可按下此鍵選擇左/右風扇運作。

(4) 風速調整

- 請先按下開關(⏻)鍵進入待機模式後，方可調整風速。
- 若第一次使用，預設為左/右風扇皆為3速。
- 若開啟左/右風扇按下此鍵，左/右風扇會從 -3- > -2- > -1- > -3- 循環變化。
- 若開啟左風扇按下此鍵，左風扇會從 -3 > -2 > -1 > -3 循環變化。
- 若開啟右風扇按下此鍵，右風扇會從 3- > 2- > 1- > 3- 循環變化。
- 當自動清洗執行時，按此鍵無效。
- 當延遲關機執行時，仍可按下此鍵調整風速。

(5) 螢幕顯示: 下列為各圖示的代表意義

圖示	功能說明	圖示	功能說明
-3-	左/右風扇皆為 3 速	dL	延遲關機
-2	左風扇為 2 速	AL	鬧鈴
1-	右風扇為 1 速	C	自動清洗
3.45	3 小時 45 分鐘	L	低水位
---	待機模式	CR	15 小時清洗提醒

功能簡介

(6) 延遲關機和鬧鈴功能

- 延遲關機功能

- 按一下此鍵會啟動延遲關機功能。
- 預設風速為3速，第2次使用將會根據上次記憶開啟的風速而啟動。
- 預設時間為5分鐘，第2次使用將會根據上次記憶設定的時間而啟動。
- 延遲關機啟動時會發出一聲嗶聲，結束時會發出兩聲嗶聲且照明也會關閉。
- 延遲關機計時器的設定時間範圍為1分鐘到10小時。
- 按下風速調整(+)鍵可增加時間，按下左/右扇開關(-)鍵可減少時間。

- 鬧鈴功能

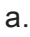
- 按兩下此鍵會啟動鬧鈴計時器。
- 預設時間為1分鐘，第2次使用將會按上次記憶設定的時間而啟動。
- 鬧鈴啟動時會發出一聲嗶聲。當時間到時，螢幕會顯示"0.00"並發出15聲嗶聲。按下任何鍵可停止嗶聲，螢幕顯示將消失，然後回到原本執行的狀態。或按下開關(⏻)鍵關閉抽油煙機。
- 鬧鈴計時器的設定時間範圍為1分鐘到10小時。
- 按下風速調整(+)鍵可增加時間，按下左/右扇開關(-)鍵可減少時間。

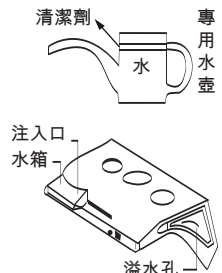
- 延遲關機或鬧鈴功能不可同時執行。


- 當延遲關機或鬧鈴執行時，將無法執行自動清洗功能。

(7) 自動清洗

- 當風扇開啟或關閉狀態下，按下此鍵啟動自動清洗功能。
- 可使用清潔劑稀釋液清洗。為避免抽油煙機損壞，請勿使用腐蝕性的清潔劑。
- 清洗步驟：

- 使用專用水壺，先加入水到水壺指示的份量，再倒入清潔劑混合(清潔劑:水=1:12)。並從抽油煙機之注水口倒入清潔劑稀釋液。
- 當溢水孔溢出清潔劑稀釋液至油杯即表示水位已滿，應停止再倒入清潔劑稀釋液至水箱中。
- 按下自動清洗()鍵即啟動摩打，啟動時會發出一聲嗶聲。風扇會改為低速3秒鐘後，水泵會啟動10秒鐘。然後風扇會改為高速且開始執行25秒鐘的自動清洗。結束時會發出兩聲嗶聲。
- 油污液體將會流入油杯。

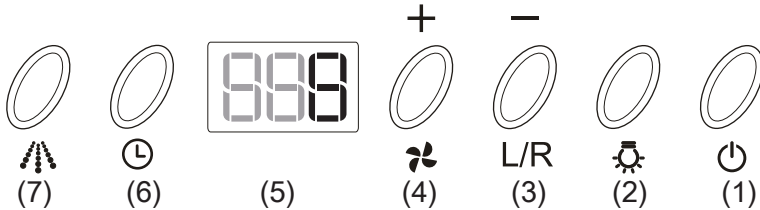


- 當自動清洗執行時，可按下開關(⏻)隨時取消自動清洗。
- 若水位過低，抽油煙機會發出嗶聲且螢幕會顯示"L"。請加水並按下自動清洗()鍵繼續自動清洗流程。
- 累積操作15小時後，當每次關機時，螢幕會顯示清洗提醒。只要進行自動清洗程序或長按開關(⏻)鍵3秒，清洗提醒便消失。

功能簡介

自動清洗及易拆式二合一油煙機

機型:HC638 / HC646



(1) 開關

- 按一下(⏻)鍵，油機將進入待機模式。
- 再按下此鍵，油機將會關機，所有功能將停止，除照明外。照明可獨立操作。

(2) 照明

- 按下此鍵開啟或關閉照明。
- 照明可獨立操作，僅延遲關機結束後會自動關閉照明。

(3) L/R 左/右風扇開關

- 先按下開關(⏻)鍵進入待機模式後，方可開啟或關閉左/右風扇。
- 按下此鍵風扇會循環變化。例如:當風扇於3速執行時，按下此鍵風扇會-3->-3 > 3- 循環變化。
- 當自動清洗執行時，按此鍵無效。
- 當延遲關機或鬧鈴功能執行時，仍可按下此鍵選擇左/右風扇運作。

(4) 風速調整

- 請先按下開關(⏻)鍵進入待機模式後，方可調整風速。
- 若第一次使用，預設為左/右風扇皆為3速。
- 若開啟左/右風扇按下此鍵，左/右風扇會從 -3->-2->-1->-3- 循環變化。
- 若開啟左風扇按下此鍵，左風扇會從 -3 > -2 > -1 > -3 循環變化。
- 若開啟右風扇按下此鍵，右風扇會從 3->2->1->3- 循環變化。
- 當自動清洗執行時，按此鍵無效。
- 當延遲關機執行時，仍可按下此鍵調整風速。

(5) 螢幕顯示: 下列為各圖示的代表意義

圖示	功能說明	圖示	功能說明
-3-	左/右風扇皆為 3 速	dL	延遲關機
-2	左風扇為 2 速	C	自動清洗
3.45	3 小時 45 分鐘	L	低水位
---	待機模式	CR	15 小時清洗提醒

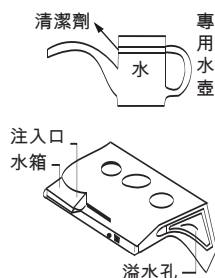
功能簡介

(6) ⌚ 延遲關機功能

- 按一下此鍵會啟動延遲關機功能。
- 預設風速為3速，第2次使用將會根據上次記憶開啟的風速而啟動。
- 預設時間為5分鐘，第2次使用將會根據上次記憶設定的時間而啟動。
- 延遲關機啟動時會發出一聲嗶聲，結束時會發出兩聲嗶聲且照明也會關閉。
- 延遲關機可設定時間範圍為1分鐘到10小時。
- 按下風速調整(+)鍵可增加時間，按下左/右扇開關(-)鍵可減少時間。
- 當延遲關機執行時，將無法執行自動清洗功能。

(7) 🌀 自動清洗

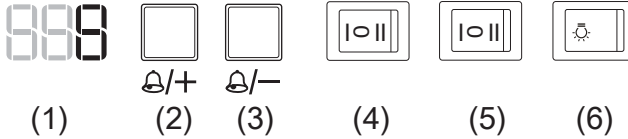
- 當風扇開啟或關閉狀態下，按下此鍵啟動自動清洗功能。
- 可使用清潔劑稀釋液清洗。為避免抽油煙機損壞，請勿使用腐蝕性的清潔劑。
- 清洗步驟：
 - a. 使用專用水壺，先加入水到水壺指示的份量，再倒入清潔劑混合 (清潔劑:水=1:12)。並從抽油煙機之注水口倒入清潔劑稀釋液。
 - b. 當溢水孔溢出清潔劑稀釋液至油杯即表示水位已滿，應停止再倒入清潔劑稀釋液至水箱中。
 - c. 按下自動清洗(🌀)鍵即啟動摩打，啟動時會發出一聲嗶聲。風扇會改為低速3秒鐘後，水泵會啟動10秒鐘。然後風扇會改為高速且開始執行25秒鐘的自動清洗。結束時會發出兩聲嗶聲。
 - d. 油污液體將會流入油杯。
- 當自動清洗執行時，可按下開關(⏻)隨時取消自動清洗。
- 若水位過低，抽油煙機會發出嗶聲且螢幕會顯示"L"。請加水並按下自動清洗(🌀)鍵繼續自動清洗流程。
- 累積操作15小時後，當每次關機時，螢幕會顯示清洗提醒。只要進行自動清洗程序或長按開關(⏻)鍵3秒，清洗提醒便消失。



功能簡介

易拆式油煙機

機型:HE568



(1) 螢幕顯示：顯示倒數時間，下列為時間顯示方式。

圖示	意義	圖示	意義
3.45	3小時 45 分鐘	0.00	鬧鈴倒數時間到

(2) 鬧鈴時間/累加鍵

- 在關機狀態按下此鍵可啟動鬧鈴功能並設定時間。你可遞增鬧鈴計時時間，長按此鍵可快速遞增時間。時間設定完成後，時間顯示閃爍三秒後未按任何鍵，將進入鬧鈴倒數狀態。閃爍三秒期間內無法停止鬧鈴功能。
- 預設時間為1分鐘，第2次使用將會按上次記憶設定的時間而啟動。
- 鬧鈴啟動時會發出一聲嗶聲。當時間到時，螢幕會顯示“0.00”並發出15聲嗶聲。按下 或 可停止嗶聲，螢幕顯示將消失。
- 鬧鈴計時器的設定時間範圍為1分鐘到10小時。
- 在鬧鈴倒數狀態執行期間，按下此鍵將關閉鬧鈴功能，螢幕顯示將消失。

(3) 鬧鈴時間/累減鍵

- 在關機狀態按下此鍵可啟動鬧鈴功能並設定時間。你可遞減鬧鈴計時時間，長按此鍵可快速遞減時間。時間設定完成後，時間顯示閃爍三秒後未按任何鍵，將進入鬧鈴倒數狀態。閃爍三秒期間內無法停止鬧鈴功能。
- 預設時間為1分鐘，第2次使用將會按上次記憶設定的時間而啟動。
- 鬧鈴啟動時會發出一聲嗶聲。當時間到時，螢幕會顯示“0.00”並發出15聲嗶聲。按下 或 可停止嗶聲，螢幕顯示將消失。
- 鬧鈴計時器的設定時間範圍為1分鐘到10小時。
- 在鬧鈴倒數狀態執行期間，按下此鍵將關閉鬧鈴功能，螢幕顯示將消失。

(4) 左風速控制鍵

- 按下 () 左邊風扇開始執行低速運轉，() 執行高速運轉，() 停止運轉。

(5) 右風速控制鍵

- 按下 () 右邊風扇開始執行低速運轉，() 執行高速運轉，() 停止運轉。

(6) 照明

- 按下 啟動及關閉電燈。

功能簡介

易拆式油煙機

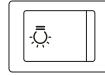
機型:HE438 / HE2421



(1)



(2)



(3)


(1) 左風扇風速控制鍵

- 按下(|)左邊風扇開始執行低速運轉，(||)執行高速運轉，(○)停止運轉。

(2) 右風扇風速控制鍵

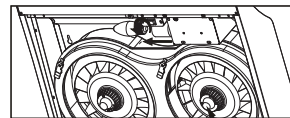
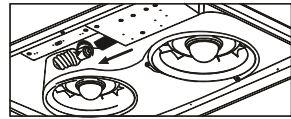
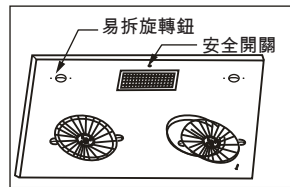
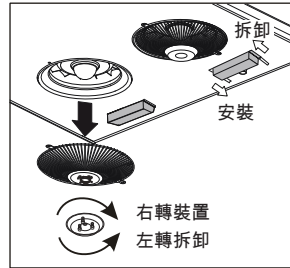
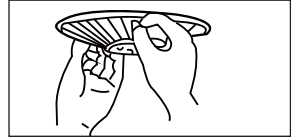
- 按下(|)右邊風扇開始執行低速運轉，(||)執行高速運轉，(○)停止運轉。

(3) 照明

- 按下 啟動及關閉電燈。

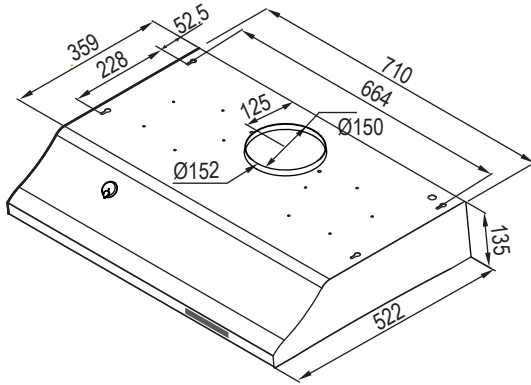
保養與清潔

1. 清潔前，務必要切斷電源。
2. 定期清潔抽油煙機的內外側，可以保持抽油煙機壽命。
3. 使用螺絲起子可拆卸風扇保護網的螺絲取下保護網進行清洗。完成後，必須重新裝回原位。
4. 按逆時針方向旋轉可取下保護網的小油盤進行清潔。完成後，按順時針方向旋轉，即可重新裝回。
5. 抽油煙機的小油盤可拆卸作定期清潔。
6. 在開啟煮食爐前，請先開啟抽油煙機，以免廚房溫度過高。
7. 煙罩有兩個易拆旋鈕，請將旋鈕逆時針旋轉至“—”後，再將安全開關螺絲旋鬆，即可將煙罩底板卸下，以便於維修及清潔。完成後將煙罩底板蓋上裝回原位，並將旋鈕順時針轉至“|”後，將安全開關旋緊。
8. 安裝及更換燈膽前，務必先切斷電源參考上述第7項步驟將煙罩底板卸下，再將燈膽旋緊或卸下燈座。
注意：HC338 / HC768 / HC638 / HC646 / HE568 / HE438 / HE2421可以替換14W或以下的慳電燈膽或4W或以下的LED燈膽。
燈膽必須附有國際安全標誌。
9. 當轉開易拆旋鈕欲取下煙罩底板時，請先移除兩個油槽，然後才取出煙罩底板。
10. 清潔後請確保馬達塑膠蓋是旋緊的，避免異常震動。

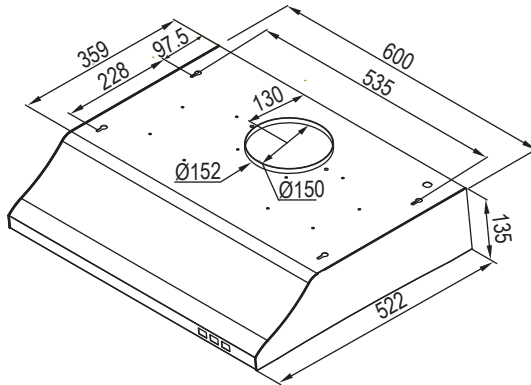


油機尺寸

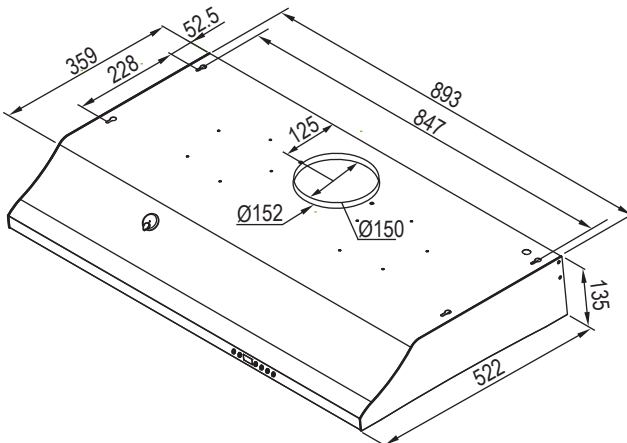
機型: HC338 / HC768 / HC638 / HE568 / HE438



機型: HE2421



機型: HC646



單位:mm

注意事項及警告標示

1. 維修服務或電源線損壞時，必須由製造廠或其服務處或具有類似資格的技術人員更換以避免危險。若非專業人員或受過專業訓練者請勿自行維修或更換。
2. 排出的氣體不得藉由瓦斯或其他燃料之排氣通道釋出。
3. 當抽油煙機與瓦斯或其他燃料同時使用時，室內應有良好的通風。
4. 若未依說明書持行清潔或操作可能產生危險或可能引起火災。
5. 不可在抽油煙機下方直接燃燒。
6. 安裝抽油煙機前，務必先切斷電源。
7. 請勿移除機身後方的海綿墊，此為防震用，若移除有可能產生運作不穩定、異音和漏水現象。

性能規格表

機種	HC338S / HC768S / HC638S	HE568S	HE438S	HE638W	HE438W
淨重	14 千克	13 千克	12.5 千克	12.5 千克	11.8 千克
毛重	16 千克	15 千克	14.5 千克	15.6 千克	14.8 千克
燈膽	最大14W慳電燈膽			最大4W LED燈膽	
機種尺寸	寬 710 x 深 522 x 高 135 毫米				
包裝尺寸	寬 840 x 深 630 x 高 246 毫米				
電壓	220-240V,50Hz				

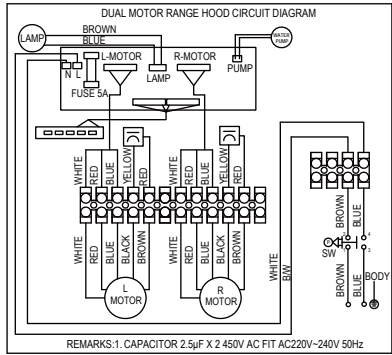
性能規格表

機種	HE2421S	HC646S
淨重	11.2 千克	14.2 千克
毛重	13.6 千克	16.9 千克
燈膽	最大4W LED 燈膽	
機種尺寸	寬 600 x 深 522 x 高 135 毫米	寬 893 x 深 522 x 高 135 毫米
包裝尺寸	寬 730 x 深 630 x 高 246 毫米	寬1040 x 深 630 x 高 246 毫米
電壓	220-240V,50Hz	

線路圖

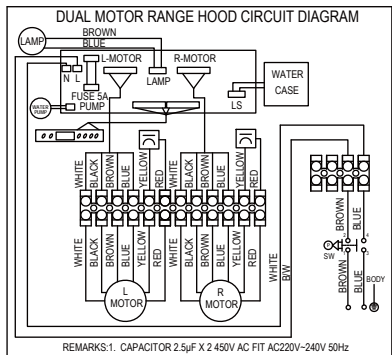
Whirlpool

Model:HC338S
 Voltage 220V-240VAC 50Hz
 Power consumption
 Total: 171W Max.
 Lamp: Energy Saving 14W Max.
 Fan: 157W
 Serial No. AAE
 Date of mfr.



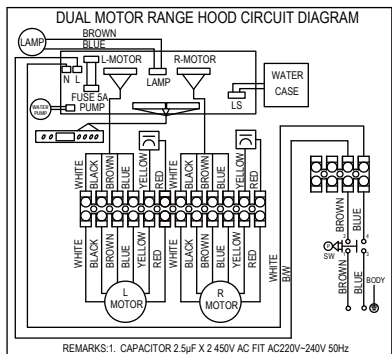
Whirlpool

Model:HC768S
 Voltage 220V-240VAC 50Hz
 Power consumption
 Total: 171W Max.
 Lamp: Energy Saving 14W Max.
 Fan: 157W
 Serial No. AAE
 Date of mfr.



Whirlpool

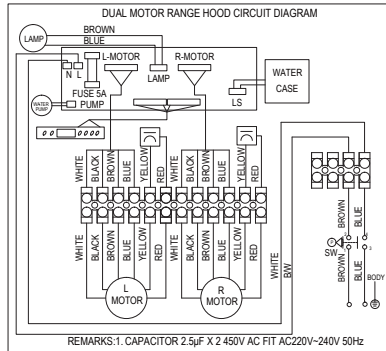
Model:HC638S
 Voltage 220V-240VAC 50Hz
 Power consumption
 Total: 171W Max.
 Lamp: Energy Saving 14W Max.
 Fan: 157W
 Serial No. AAE
 Date of mfr.



線路圖

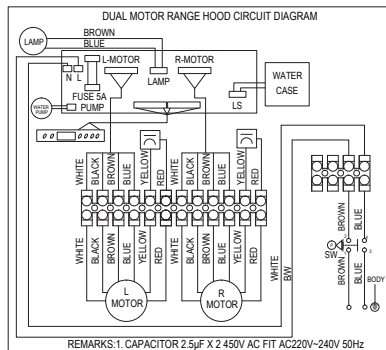
Whirlpool

Model: HC638W
 Voltage 220V-240VAC 50Hz
 Power consumption
 Total: 171W Max.
 Lamp: LED 4W Max.
 Fan: 157W
 Serial No. AAE
 Date of mfr.



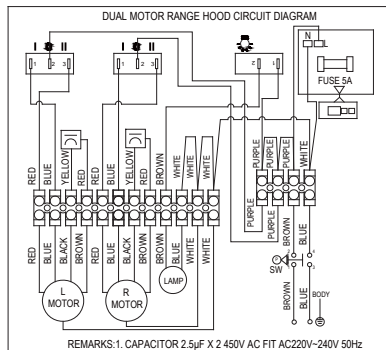
Whirlpool

Model: HC646S
 Voltage 220V-240VAC 50Hz
 Power consumption
 Total: 171W Max.
 Lamp: LED 4W Max.
 Fan: 157W
 Serial No. AAE
 Date of mfr.



Whirlpool

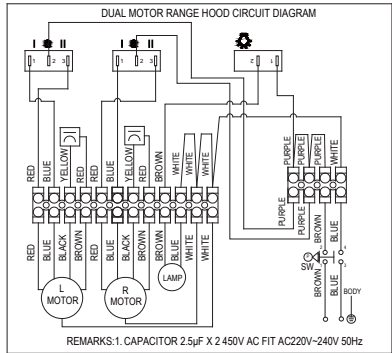
Model: HE568S
 Voltage 220V-240VAC 50Hz
 Power consumption
 Total: 171W Max.
 Lamp: Energy Saving 14W Max.
 Fan: 157W
 Serial No. AAE
 Date of mfr.



線路圖

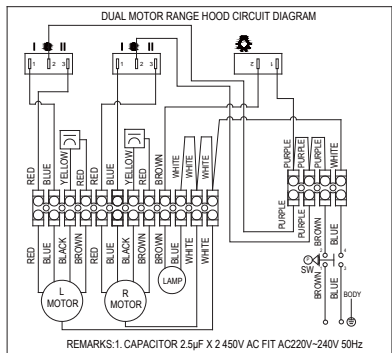
Whirlpool

Model: HE438S
 Voltage 220V-240VAC 50Hz
 Power consumption
 Total: 171W Max.
 Lamp: Energy Saving 14W Max.
 Fan: 157W
 Serial No. AAE
 Date of mfr.



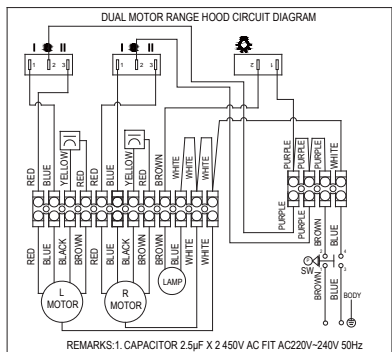
Whirlpool

Model: HE438W
 Voltage 220V-240VAC 50Hz
 Power consumption
 Total: 171W Max.
 Lamp: LED 4W Max.
 Fan: 157W
 Serial No. AAE
 Date of mfr.



Whirlpool

Model: HE2421S
 Voltage 220V-240VAC 50Hz
 Power consumption
 Total: 171W Max.
 Lamp: LED 4W Max.
 Fan: 157W
 Serial No. AAE
 Date of mfr.



Whirlpool® Registered trademark/TM Trademark of Whirlpool group of companies
All rights reserved - <http://www.whirlpool.com.hk>

註冊商標/惠而浦集團的TM商標

版權所有 翻印必究 - <http://www.whirlpool.com.hk>



Whirlpool