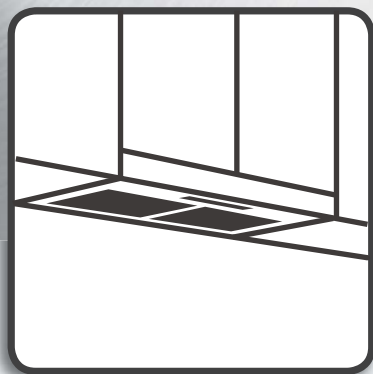


Whirlpool



Health & Safety, Use & Care and Installation guide
產品安全指引、使用說明及安裝指南

Model 產品型號 : UT750/IX



www.whirlpool.com.hk

CONTENTS 目錄

Important safety instructions	1
Before using the hood	3
Installation	3
Mounting method	4
Mounting method (Recirculating Kit If Needed)	5
Hood operation	6
Maintenance & Cleaning	7
Specifications	8
Hood measurement	8
Replacing lamps	9
Wiring diagram	10
重要安全資訊	11
首次使用須知	13
安裝指引	13
安裝方法	14
安裝方法（循環式組件 如需要）	15
功能簡介	16
保養與清潔	17
產品規格	18
產品尺寸	18
更換照明燈	19
線路圖	20

IMPORTANT SAFETY INSTRUCTIONS

These instructions shall also be available on website: www.whirlpool.com.hk

KEEP THIS INSTRUCTION MANUAL FOR FUTURE REFERENCE.

YOUR SAFETY AND THAT OF OTHERS IS HIGHLY IMPORTANT.

This manual and the appliance itself provide important safety warnings, to be read and observed at all times.

⚠ This is the attention symbol, pertaining to safety, which alerts users to potential risks to themselves and others.

All safety warnings are preceded by the attention symbol and the following terms:

⚠ DANGER: indicates a hazardous situation which, if not avoided, will cause serious injury.

⚠ WARNING: indicates a hazardous situation which, if not avoided, could cause serious injury.

All safety warnings specify the potential danger/warning to which they refer and indicate how to reduce the risk of injury, damage and electrical shock resulting from incorrect use of the appliance. Comply with the following instructions:

1. Installation or maintenance must be carried out by a qualified technician, in compliance with the manufacturer's instructions and local safety regulations.
Do not repair or replace any part of the appliance unless specifically requested in the user manual.
2. The appliance must be disconnected from the power supply before carrying out any installation work.
3. Earthing of the appliance is compulsory.
4. The power supply cable must be long enough to permit connecting the appliance to the mains socket outlet.
5. Unplug the appliance with hands. Do not pull the power supply cable to unplug the appliance.
6. The electrical components must no longer be accessible to the user after installation.
7. Do not touch the appliance with any wet part of the body and do not operate it with barefoot.
8. This appliance is not intended for use by persons (including children) with reduced physical, sensory or mental capabilities, or lack of experience and knowledge, unless they have been given supervision or instruction concerning use of the appliance by a person responsible for their safety.
9. Do not repair or replace any part of the appliance unless specifically indicated in the manual. Defective parts must be replaced using genuine parts. All other maintenance services must be carried out by a qualified technician.
10. Children must be supervised to ensure they do not play with the appliance.
11. When drilling through a wall or the ceiling, pay attention not to damage electric connections and/or pipes.
12. The ventilation ducts must always discharge to the outside.
13. Exhaust air must not be vented through a flue used for removal of fumes produced by appliances burning gas or other fuels, but must have a separate outlet. All national regulations governing extraction of fumes must be observed.
14. The Manufacturer declines any liability for improper use or incorrect setting of the controls.
15. Regular cleaning and maintenance is essential to correct functioning and performance of the appliance.
Frequently clean all encrustations from dirty surfaces to prevent the accumulation of grease. Regularly clean or replace the filters.

IMPORTANT SAFETY INSTRUCTIONS

16. Do not flame under the range hood.
17. Do not leave frying pans unattended when frying, as the oil may catch fire.
18. Failure to follow the instructions for cleaning the hood and replacing the filters may result in a fire.
19. The fume extractor hood must never be opened without the grease filters installed.
20. Gas appliances must be used under the extractor hood.
21. When using more than three gas burners, the hood should be operating at power level 2 or greater. This will eliminate heat congestion in the appliance.
22. Before touching the bulbs, first ensure that they are cool.
23. Do not use or leave the hood without its lamps correctly installed-risk of electric shock.
24. Wear work gloves for all installation and maintenance operations.
25. This appliance is intended for domestic use only. The product is not suitable for outdoor or commercial use.
26. CAUTION : Accessible parts may become hot when used with cooking appliances.
27. There is a fire risk if cleaning is not carried out in accordance with the instructions.
28. If the power cord is damaged, it must be replaced by the manufacturer, service agent or qualified technician in order to avoid a hazard.
29. There shall be adequate ventilation of the room when the hood is used at the same time as appliances burning gas or other fuels.
30. The air must not be discharged into a flue that is used for exhausting fumes from appliances burning gas or other fuels.
31. Regulations concerning the discharge of air have to be fulfilled.

BEFORE USING THE HOOD

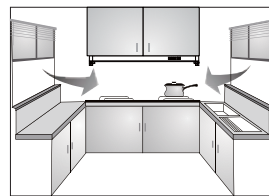
After unpacking the appliance, check for any transport damage. Do not install the appliance if it has been damaged. In the event of problems, contact Whirlpool Customer Service. To prevent any damage, only remove the appliance from its polystyrene foam packaging at the time of installation.

- Packing materials (plastic bags, polystyrene, etc.) must be kept out of children's reach, these are potentially dangerous to children.
- Installation must be carried out by a qualified technician.
- Make sure the power voltage specified on the appliance's rating plate is the same as the main voltage.
- Connect the power and switch on the hood to check the operation.
- Parts supplied:
 - a. Detachable oil cup x 1 pc
 - b. Plastic collar x 1pc
 - c. Warranty card x 1pc and Instruction manual x 1pc
 - d. Installation Accessories Set x 1 set
(#6 x 1" wooden screw x 4 pcs + M4 x 8 screw x 2 pcs + 3/16 x 5/8 washer head screws x 2 pcs + washer x 2 pcs + bracket x 1 pc)

INSTALLATION

1. Location

- Air turbulence from window/door may reduce the effectiveness of hood. It is recommended to close window door before using hood. (FIG. 1)
- The smoke has to rise up to 250 mm from cook top in order to reach hood's suction efficiency range.



(FIG. 1)

2. Position

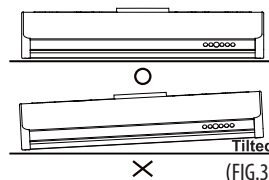
- The installation height is measured vertically from center of filter of hood to the top of the cook top.
- The min height is 650mm and the max installation height is 750mm for gas hob.(FIG. 2)
- Avoid left-right or front-dropped installation.(FIG. 3)



(FIG. 2)

3. Exhaust duct

- 6" diameter exhaust duct is recommended to use in order to maximize suction efficiency.
- Before installing the hood, please apply fast drying glue to the collar and securely attach it to the top of cooker hood's vent lid. Install the cooker hood and exhaust duct to the plastic collar and seal with fast drying glue.



(FIG. 3)

MOUNTING METHOD

⚠ WARNING:

Electrical connections must be carried out by a qualified technician, this appliance must be earthed.

Supply cord must be disconnected from power source before connection (to the appliance).

1. Cut out an opening in the bottom of the cabinet by following the dimensions in FIG 1 .

2. Remove the filters.

3. Use (2) M4 x 8 screws to install the plastic collar.

4. Lift the hood into opening and ensure locking clip is locked into position. (locking clip is located on left side of hood body.) see FIG 2

5. Fasten (2) #6 x 1" wood screws into each short side of the hood body.
NOTE: Wood blocking may need to be added to cabinet base if additional support is needed. see FIG 2

6. Align the front plate to the cabinet and secure the bracket to the front side of the hood body by (2) 3/16 x 5/8 washer head screws and (2) washers. see FIG 3

7. Install power cord and duct. Seal duct with tape (optional).

8. Turn on the hood and check for any air leaks around duct tape.

9. Install the oil cup to the center of the motor shell.

10. Remove all protection films before using the range hood.

11. Reinstall filters.

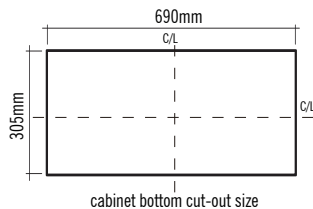


FIG 1

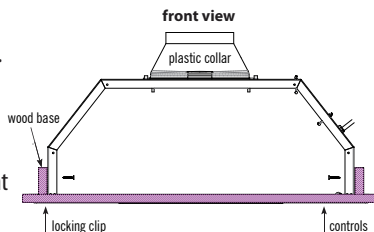


FIG 2

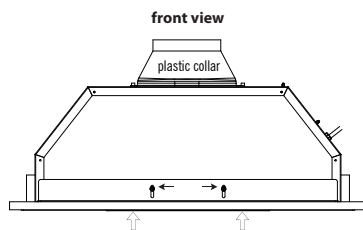


FIG 3

Mounting Method (Recirculating Kit If Needed)

Ductless recirculation is intended for applications where an exhaust duct work is not possible to be installed. When converted, the hood functions as a recirculating hood rather than an exhaust hood. Fumes and exhaust from cooking are drawn and filtered by a set of optional charcoal filter. The air is then purified and recirculated back within the home.

We recommend to ALWAYS exhaust air outside of the home by employing existing or installing new duct work, if possible. The hood is most effective and efficient as an exhaust hood. Only when the exhaust option is not possible you should convert the hood into a recirculation hood.

When converted to be a recirculating hood, a set of charcoal filter is required on top of the aluminum grease filters. Order according to its part number below. The aluminum grease filters are intended to capture residue from cooking and the optional charcoal filter help to purify fumes exhausted from cooking for recirculation.

*RECIRCULATING KIT (REQUIRED IF NO DUCTING IS USED)

Kit includes charcoal filter, charcoal filter bracket and air diversion.

Hood Models	Part No.
-------------	----------

UT750/IX	KITCAB02
----------	----------

1. Purchase recirculating kit per the part number above.
2. Cut out a 160mm hole on the top of cabinet.
3. Put charcoal filter in smaller plastic case, and assemble two plastic cases, then press the bigger plastic case slightly and rotate it clockwise to assemble two plastic cases.
4. Secure the round bracket to cabinet with (6) M4 x 8 screws.
5. Secure the aluminum pipe to the collar with tape.
6. Install the charcoal filter kit to outside of cabinet with (2) M4 x 8 screws.
For more details refer to manual included with recirculation kit.
7. Charcoal filter must be replaced after every 120 hours of use.
(or approximately every 3 to 4 months based on an average of 1-2 hrs of daily cooking time).

**Charcoal Filter Replacements

Hood Models	Part No.	Qty to Order
-------------	----------	--------------

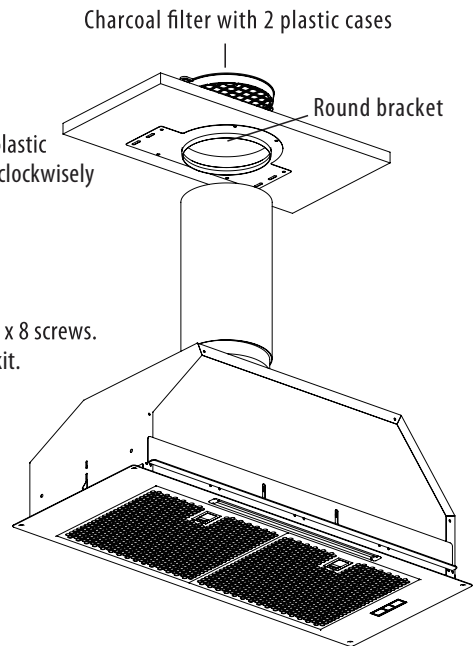
UT750/IX	CAB02	1
----------	-------	---

Note:

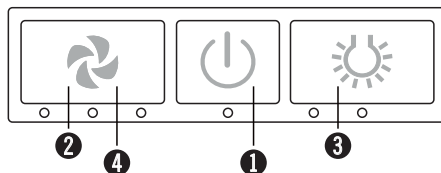
1. DO NOT WASH CHARCOAL FILTER. Charcoal filter may need to be changed more often depending on cooking habits.
2. We recommend to use the induction hob when converted the recirculating option.

*Recirculation kit is not included and needs to be purchased separately.

**Charcoal filter can be purchased separately at our service center.






HOOD OPERATION






1. Power / Delay Off

Power


-  Button to turn on and off for hood (fan and lights.)
- This hood has memory function. Hood will start with power and light setting according to the last turned off.

(Example: Press  button to turn off hood when the fan at speed 3 and high lights. Press  button again and the hood will turn back on at speed 3 and high lights.)

Delay Off

- With the fan on, press and hold the  button for 3 seconds to active delay off function. The fan will change to speed 1 and the LED indicator of  button will flash. The fan will automatically turn off after 5 minutes.
- To disable the delay off function, press the  button when delay off function is activated.



2. Fan Speed

- The hood comes with 3 speed levels, press  button to adjust the fan speed.
- LED indicators display current fan speed. One indicator for speed 1, two indicators for speed 2 and three indicators for speed 3.

3. Lights On/Off

- Lights has two levels, high and low.
- Press once to turn on the light to low level, twice to high level.
- LED indicators display current light level. One indicator for low, two indicators for high.

4. Grease Filter Saturation Indicator

- The  button indicator will flash after usage of 30 hours when hood is off to remind you to clean the grease filters.
- To reset : When hood is off, press and hold the  button for 3 seconds to reset.

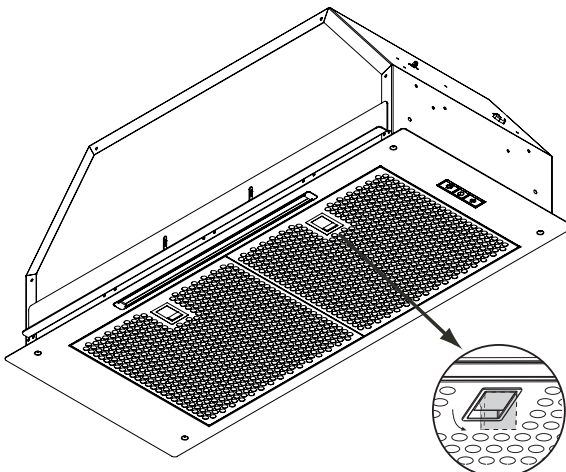
⚠ WARNING: Always disconnect from power supply before cleaning.

A. Hood Surface Maintenance

1. Please clean the hood surface regularly with mild detergent and wipe with a cotton cloth to prevent grease from accumulating.
2. Please do not use abrasive nor corrosive cleaning agent to clean the surface because this will damage the surface.
3. It is recommended to use non corrosive stainless steel polisher to polish the surface after cleaning.
4. Please use soft cloth for polishing because it will make your hood surface shining.
5. Please do not use cleaning solutions that contain bleach ingredient.

B. Cleaning and Maintenance

1. Clean both exterior and interior of the hood for long lasting. Do not use abrasive cleanser.
2. The filters have an unlimited life and should be cleaned at least once a month by hand or in a dishwasher at low temperature and with a short cycle.
3. Cleaning in a dishwasher may cause discoloring of the filters, but its filtering efficiency is unaffected.
4. Slightly pull out the handle to remove the filters air.(FIG. 4)
5. Wash the filters with mild detergent and leave it to air dry, proceeding in reverse order to refit it.
6. The oil cp in the center of the motor shell is detachable and should be cleaned regularly.
7. It is recommended to turn on the hood before turning on the stove to avoid high temperature in the kitchen.

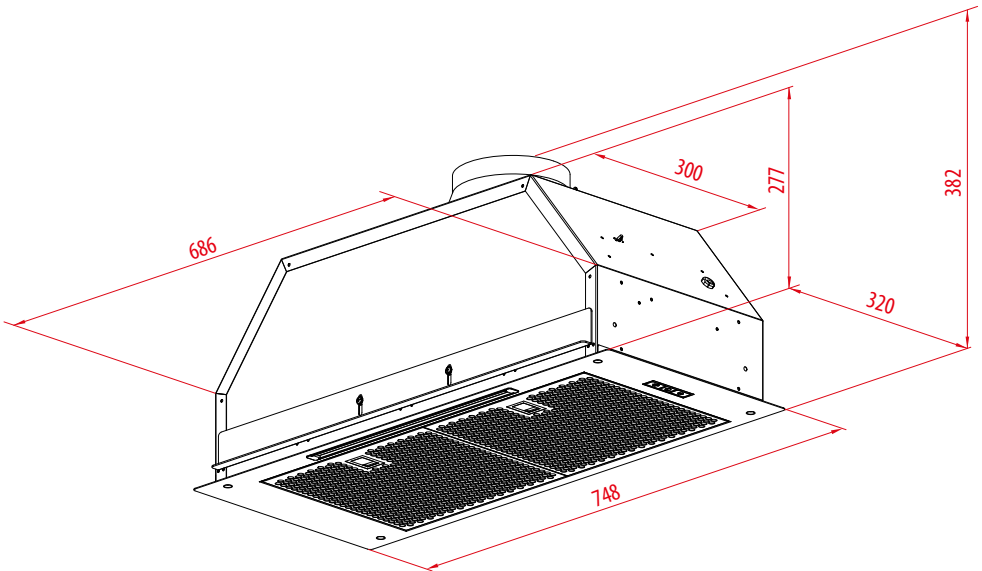


(FIG. 4)

SPECIFICATIONS

Model	UT750/IX
Net Weights	11.1 Kg
Gross Weights	14.1 Kg
Hood Size (W x D x H)	748 x 320x 382 mm
Packing Size (W x D x H)	890 x 420 x 375 mm
Voltage	220V , 50Hz
Outlet pipe diameter	6 inches
Light	LED 9W

HOOD MEASUREMENT



Unit : mm

REPLACING LAMPS

⚠ WARNING:

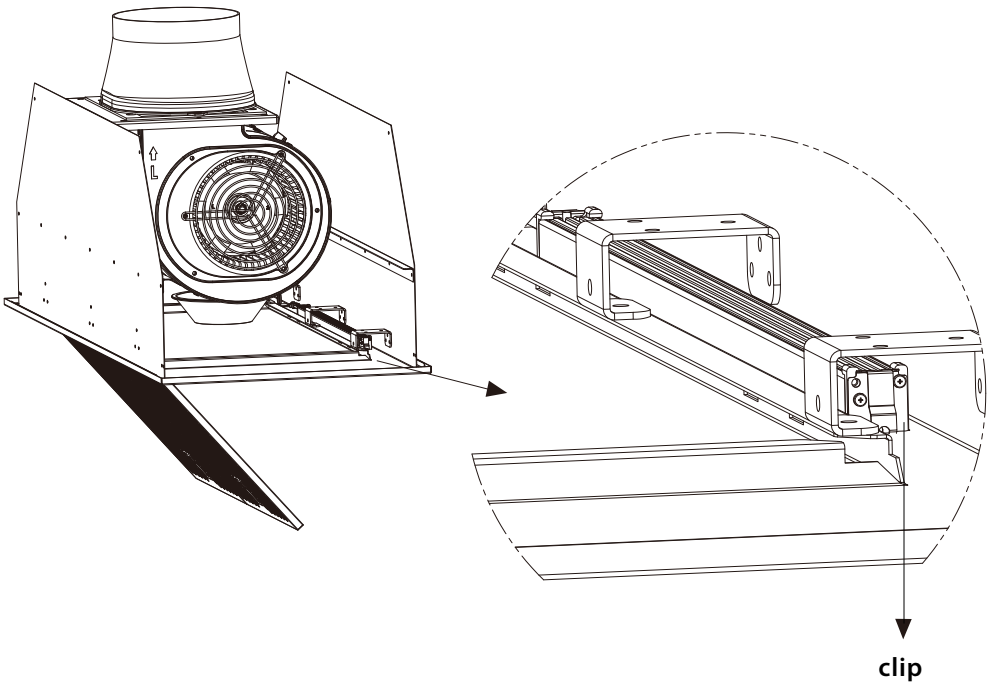
- **Always disconnect the appliances from power supply before replacing lamps.**
- **Use protective gloves.**

Never dismantle, repair or modify the appliance by yourself.

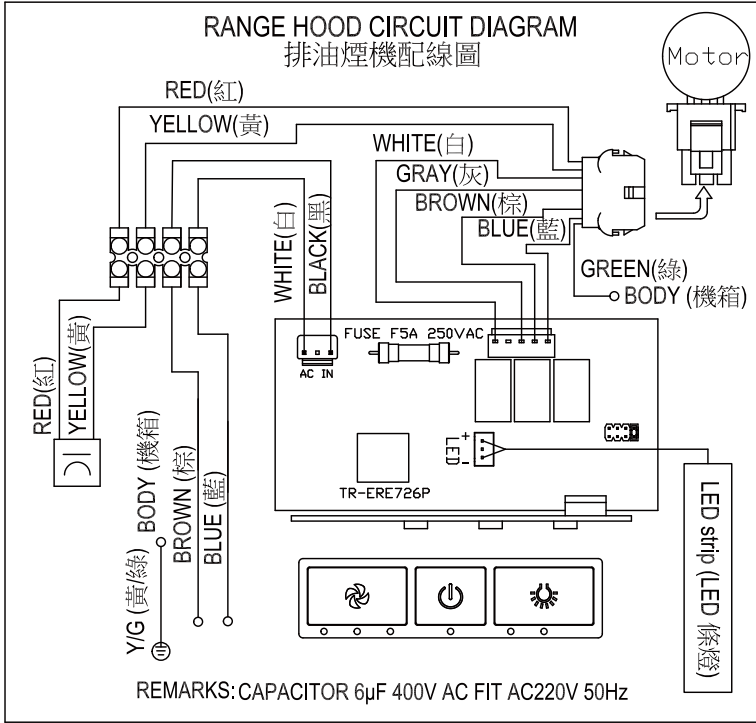
Repair service including replacement of LED light must only be carried out by a qualified technician. It is dangerous for anyone other than the above mentioned people to perform repair service.

Please contact Whirlpool Customer Service to purchase new LED light strip for replacement.

Remove filters and disconnect the LED light strip wire. Push the clips on each side of the LED light strip simultaneously and take off the light strip (see picture below).



WIRING DIAGRAM



本手冊可在網頁上找到：www.whirlpool.com.hk

請妥善保存本說明書，以便日後作參考之用。

您和他人的安全是非常重要的。

本手冊和機器本身提供許多重要的安全信息，務必閱讀並且遵守這些安全信息。

⚠ 這是安全警告標誌。這標誌是告訴您，有潛在的危險並可能引致您或他人的死亡或受傷。

所有的安全知識都可以在警告標誌及「危險」，「警告」字樣之後找到。這些字樣表示：

⚠ 危險： 表示一種危險情況，如果不避免，將造成嚴重的傷害。

⚠ 警告： 表示一種危險情況，如果不避免，可能會造成嚴重的傷害。

所有安全信息會告訴您那些潛在的危險，並指出如何減低因不正確使用抽油煙機而引致的傷害，損壞和電擊的風險。遵守以下說明：

1. 所有安裝和維修必須由合格技術人員負責進行，並需根據生產商的指示和符合當地安全的規定。（除本手冊有提供指引外，請勿擅自對抽油煙機進行修理或拆卸任何機器內的部件。）
2. 在進行安裝工作之前，必需切斷電源。
3. 本抽油煙機必須接駁地線。
4. 抽油煙機電源線的長度必須足夠連接到電源插座。
5. 拔掉電源線插頭時，應手持插頭拔出，請勿拉扯電源線。
6. 安裝後，使用者不應再接觸帶電配件。
7. 如身體沾了水，請不要觸摸電器。請不要在赤腳下使用抽油煙機。
8. 此產品並非設計給身體、感官或精神上能力不足，或經驗及知識不足的人士使用（包括兒童），除非監護其安全的負責人監督或指引其使用。
9. 除手冊內有特別說明，否則請勿自行維修或更換抽油煙機的任何部件。必須使用原裝部件更換任何損壞的零件並需由合格技術人員進行維修。
10. 兒童使用時，需有成年人監督，確保他們不會將抽油煙機當作玩具。
11. 在牆壁或天花板鑽孔時，注意不要損壞電源連接盒或管道。
12. 排氣管道必須排向室外。
13. 廢氣必須於獨立的排氣管道排出，廢氣不可於氣體加熱設備或其他加熱設備的煙霧或排氣煙道一同排放。必須遵守所有關於煙霧排出的國家規定。

14. 如因不當使用或錯誤操作，製造商或代理商將不會承擔責任。
15. 保持正常運作及良好表現，需要定期保養及清潔，例如經常清潔機殼，可防止油漬累積，及定期清潔或更換濾網。
16. 請勿在抽油煙機下進行火焰式烹調。火焰式烹調可能會導致火災。
17. 油炸可能會導致起火。油炸時，絕對不可讓油炸鍋在無人看管的狀態。
18. 如不遵守指示去清潔抽油煙機和更換過濾網可能會導致火災。
19. 如抽油煙機沒有安裝過濾網，請勿開啟。
20. 氣體設備和煮食鍋必須在抽油煙機下方可使用。
21. 當同時操作三個以上的氣體爐頭，抽油煙機必需開啟風速2檔或更高的風速，以防止熱力積聚在電器內。
22. 觸摸燈泡前，請確保燈泡已完全冷卻。
23. 在未正確安裝燈泡時，不可使用或讓抽油煙機處於使用狀態，因可能會有觸電的危險。
24. 在進行所有安裝和維護工作時，請戴上保護手套。
25. 此電器只供家庭使用。不應室外使用此電器或用作商業用途。
26. 當爐具在使用時，抽油煙機的可接觸部分可能會變得灼熱。請勿碰觸高溫部件。
27. 若未依照此說明書清潔可能會引起火災。
28. 如果電源線損壞，必須由製造商、服務代理商或是合格技術人員更換以避免危險。
29. 當抽油煙機與氣體或其他燃料的家電產品同時使用時，廚房內應保持足夠的通風。
30. 排出的油煙不得藉由氣體或其他燃料的家電產品之排氣管排出。
31. 必須遵守排放油煙的相關法律規定。

首次使用須知

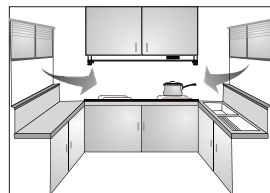
拆開包裝後，請檢查產品有否在運輸過程中損壞。如有損壞，請勿安裝。如果您有任何問題，請聯絡惠而浦客戶服務部。為防止損壞，產品只能在安裝時移除保護發泡膠。

- 包裝材料（如：塑膠袋、發泡膠等）有潛在性的危險請勿讓孩童接觸。
- 請由合格技術人員進行安裝。
- 安裝前請確認銘牌上所列示的電壓符合您家的電壓。
- 接駁電源後，請檢查照明燈、摩打及開關是否正常。
- 附件：
 - a. 可拆卸油杯 1個
 - b. 塑膠風管圈 1個
 - c. 保證卡 1張、說明書 1本
 - d. 安裝配件1包
(#6 x 1" 木螺絲 x 4 支、M4 x 8 螺絲 x 2 支、
3/16 x 5/8 華司頭螺絲 x 2 支、華司 x 2 片 + 固定片 x 1 個)

安裝指引

1. 周圍環境

- 抽油煙機安裝位置如在窗上或附近有太多門窗，開動抽油煙機前先關閉門窗。(圖1)
- 建議油煙上升至250毫米以上，抽油煙機始能充分發揮抽油煙效果。



(圖1)

2. 安裝高度和機體位置

抽油煙機安裝高度：

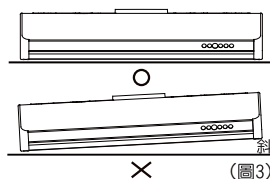
- 量度安裝高度應從抽油煙機過濾網中心垂直量度至爐頭正上方。
- 氣體煮食爐最低安裝高度為650毫米最高安裝高度為750毫米。(圖2)
- 抽油煙機體應保持左、右水平避免油杯積油溢出。(圖3)



(圖2)

3. 風喉

- 風喉必須配合本機出風管接頭之直徑（6吋）及避免太多彎位，以免影響抽風效果。
- 安裝前先以強力膠注入風管圈後將風喉嵌入，再用強力膠接合風喉與風管圈。



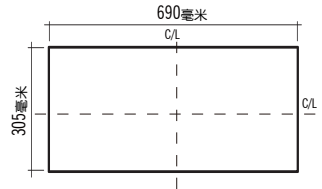
(圖3)

安裝方法

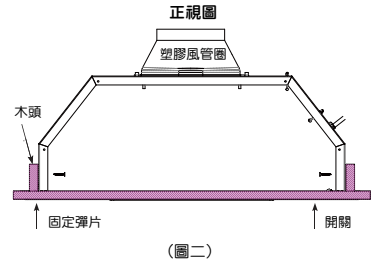
⚠ 警告：

電氣連接必須由專業技術人員進行，
本設備必須連接接地線。
在連接之前（設備），須將連接電源線的電源斷開。

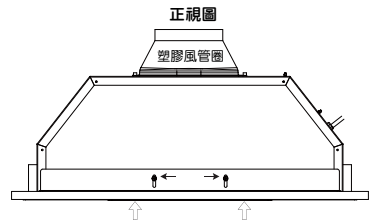
1. 根據圖一所顯示的尺寸在廚櫃底部開孔。
2. 將油煙機的濾網拆下。
3. 使用(2)M4 x 8螺絲將塑膠風管圈安裝至機器上方。
4. 將機器放至廚櫃並確認固定彈片確實固定在正確位置。（固定彈片位置在機器左側，如圖二。）
5. 將(2) #6 x 1"木螺絲鎖在機器兩側。
注意：依實際安裝需求是否需要增加木塊加強廚櫃底部。（圖二）
6. 將面板與機器對齊並使用(2) 3/16 x 5/8華司頭螺絲及(2)華司，將固定片固定到機器前方。（圖三）
7. 安裝電源線和排風管，使用膠帶密封排風管（選配）。
8. 開啟油煙機，並檢查風管連接處有否排風外洩。
9. 在馬達外殼中心安裝油杯。
10. 使用油煙機前請撕除保護膜。
11. 裝回濾網。



廚櫃底部開孔尺寸
(圖一)



(圖二)



(圖三)

吊掛安裝（循環式組件 如需要）

內循環適用於無法安裝排氣管的場所。轉換後，抽油煙機即可以內循環的抽油煙機而不是外排式的抽油煙機。烹飪過程中產生的油煙通過一套選配的活性炭濾網進行抽取和過濾，淨化後的空氣會在家中再次循環。

如果可以，我們建議使用現有的安裝方式將油煙排放到家庭外，因抽油煙機的效能及效率是最高的。只有沒辦法向外排氣的情況下，才可將抽油煙機轉換成內循環抽油煙機。

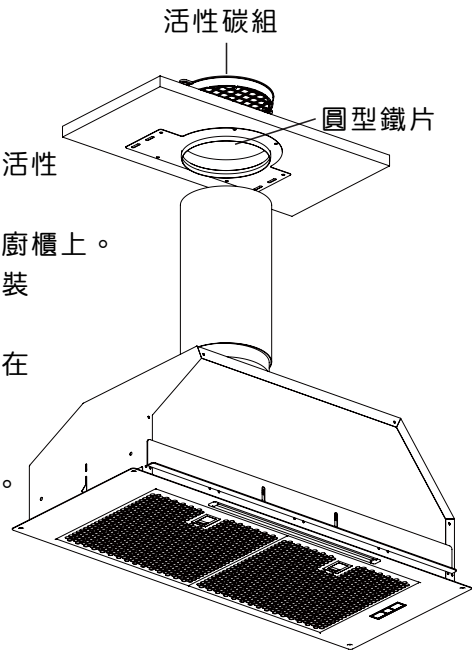
當轉換成內循環抽油煙機時，須在濾網上安裝一套選配的內循環組。請根據下面的零件編號訂購。標準的濾網的功用是吸附烹飪中的殘留物，而選配的的活性炭濾網有助於淨化從烹飪中排出的廢氣以再次循環。

* 循環式組件適用於無法安裝排氣管的廚房。

內循環組包含活性炭濾網、內循環固定片及內循環座

型號	零件編號
UT750/IX	KITCAB02

1. 請依照上述零件編號購買內循環組。
2. 在廚櫃頂部開一個160mm的孔。
3. 將活性炭布放入活性炭塑膠座中，輕壓活性炭塑膠座並順時針旋轉固定。
4. 使用(6) M4 x 8 螺絲將圓形鐵片鎖在廚櫃上。
5. 在圓形鐵片與排油煙機的出風口間，安裝排風管並使用膠帶密封。
6. 使用(2) M4 x 8 螺絲將活性炭組安裝在廚櫃出風口處。
7. 活性炭濾網每使用120小時或3至4個月（平均一天煮食1-2小時）後需更換一次。



** 更換活性炭濾網

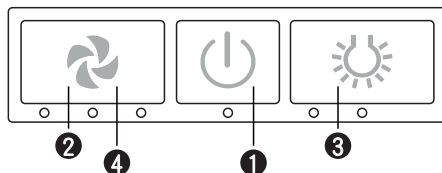
型號	零件編號	訂購數量
UT750/IX	CAB02	1

注意：

1. 請勿清洗活性炭濾網；活性炭濾網更換頻率應依煮食習慣而訂。
2. 建議在轉換成內循環時使用電爐。



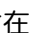
* 循環式組件不包含在機內，需要請另外購買。

** 活性炭濾網可以獨立於我們的維修零件中心購買。





1. 開關 / 延遲關機鍵


開關

- 按  鍵可開啟或關閉抽油煙機（包括風扇和照明）。
- 此按鍵有記憶功能，下次使用時會根據最後一次關機時的風速和照明狀態下啟動。
（例如：在高速和照明全亮按  鍵關閉抽油煙機。再次按  鍵，抽油煙機會在高速和照明全亮的狀態下再啟動。）

延遲關機

- 風扇啟動時，按  鍵3秒可啟動延遲關機功能，並會自動進入低速，LED指示燈會閃爍提示延遲關機功能已啟動。風扇和照明會在5分鐘後自動關閉。
- 當延遲關機啟動時，按  鍵可取消延遲關機功能，並關閉抽油煙機。



2. 風速調整鍵

- 共有三種風速，按  鍵可循環調整風速。低速 -> 中速 -> 高速。
- LED燈會顯示當前的風速狀態。一個燈亮代表低速，兩個燈亮代表中速，三個燈亮代表高速。

3. 照明燈

- 照明燈有兩段照明狀態。全亮和微亮。
- 按第一次為微亮；按第二次為全亮；再按一次可關閉照明。
- LED指示燈會顯示當前的照明狀態。一個燈亮代表微亮，兩個燈亮代表全亮。

4. 濾網清洗提示

- 抽油煙機停止運作時，在使用時數達30小時後，風速調整鍵  會閃爍，提示使用者清洗濾網。
- 重設濾網清洗提示：抽油煙機停止運作時，長按風速調整鍵  3秒，即可重設計時器。

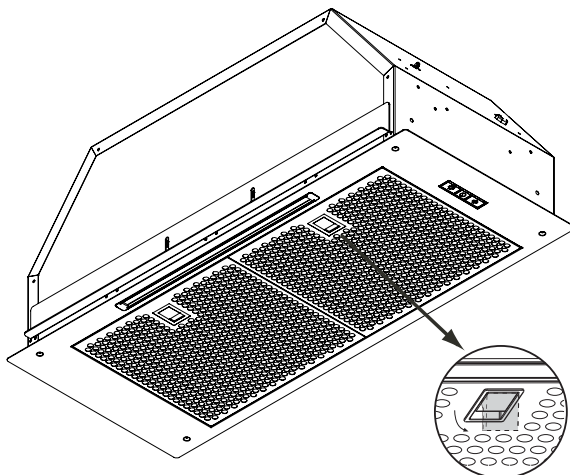
警告： 在保養和清潔前，務必確保電源切斷或關閉。

A. 機身表面保養

1. 請定期以溫和的清潔劑和棉布擦拭機身以防油垢積聚。
2. 請勿使用腐蝕性清潔液和材質過粗的布料擦拭，以免損害到機身表面。
3. 擦拭完成後，建議使用無刺激性的不鏽鋼拋光劑來進行第二次擦拭。
4. 請使用軟布輕擦，油煙機表面將會更加光亮。
5. 請勿使用含有漂白成分的清潔液。

B. 保養和清潔

1. 定期清潔抽油煙機的內外側，有助保持抽油煙機的壽命，切勿使用研磨性清潔液。
2. 濾網需定期拆卸清洗，或放入洗碗機以最短的清洗程序及低溫清洗。（建議一個月清洗一次，根據煮食習慣調整清洗次數。）
3. 使用洗碗機的清潔劑可能會導致濾網變色，但不影響濾網的過濾效果。
4. 將把網扣微拉出取出濾網。（圖4）
5. 用溫和的清潔液清洗濾網，待濾網完全乾透後，以相反次序重新安裝回機器即可。
6. 抽油煙機中央的油杯可拆卸作定期清潔。
7. 在開啟煮食爐前，請先開啟抽油煙機，以免廚房溫度太高。

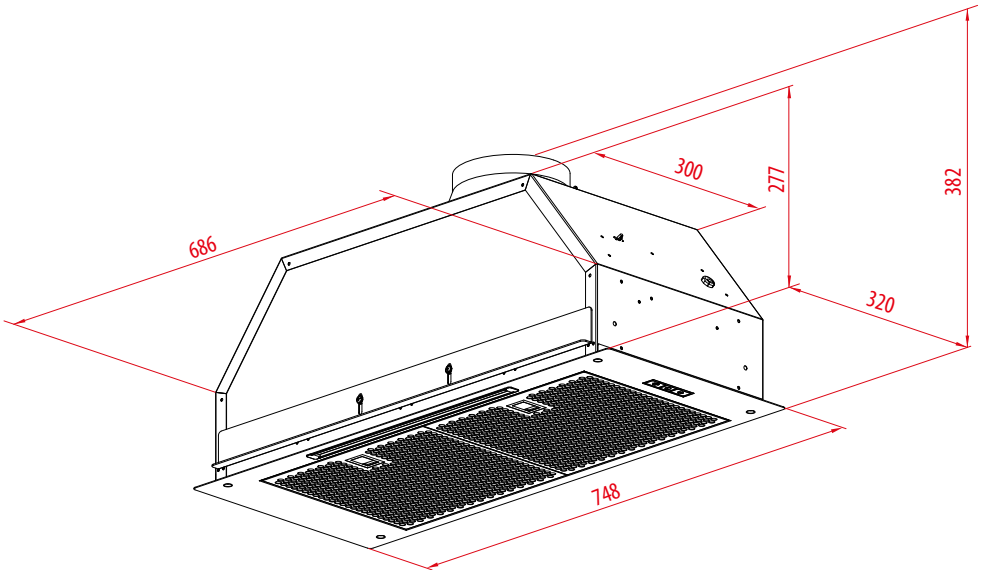


(FIG. 4)

產品規格

產品型號	UT750/IX
淨重	11.1 公斤
毛重	14.1 公斤
產品尺寸 (闊 x 深 x 高)	748x320x382 毫米
包裝尺寸 (闊 x 深 x 高)	890x420x375 毫米
電壓	220V, 50Hz
出風口徑	6 吋
照明	LED 9W

產品尺寸



單位：毫米

⚠ 警告：

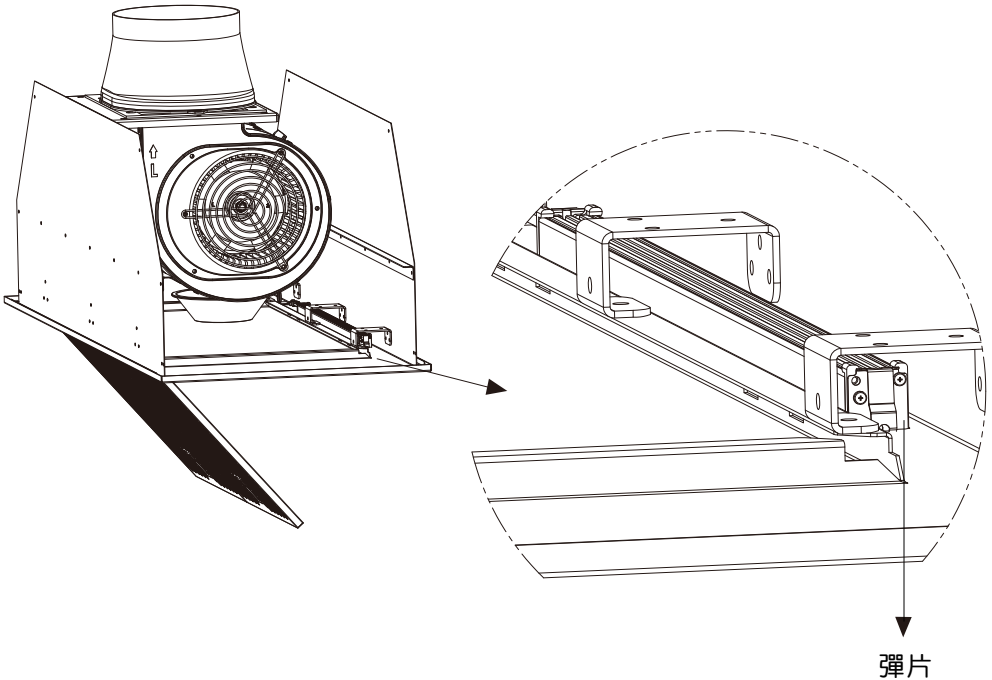
- LED燈條移除前，請先切斷電源。
- 請戴上保護手套。

請勿擅自對本產品進行拆卸、修理或改造。

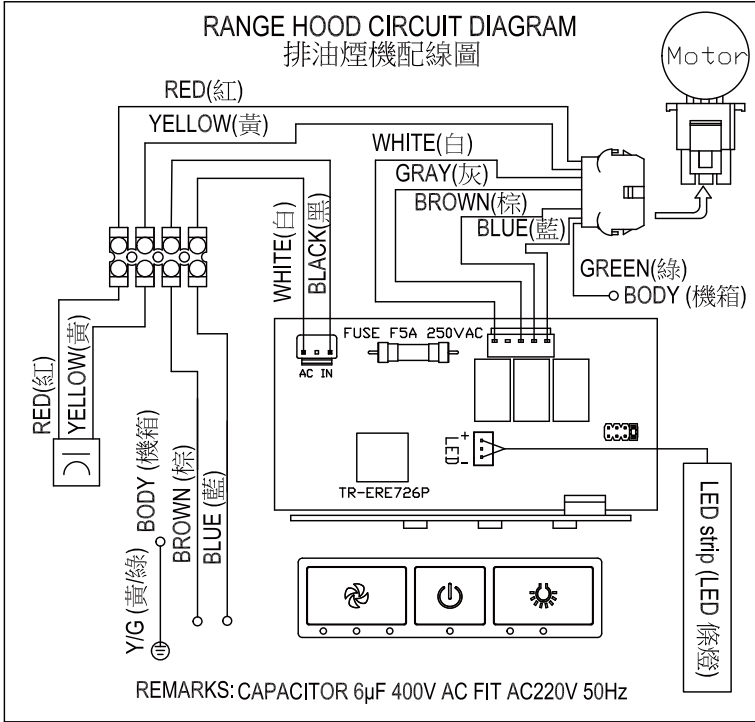
如需更換LED燈條，必須由合格技術人員負責進行。除專業人員外，任何維修操作均可帶來危險。

如需更換新的LED燈條，請聯絡惠而浦客戶服務部購買。

移除濾網，拆除內部條燈連接電線。
將兩邊彈片同時壓後，即可移除燈條。(如下圖)



線路圖



Whirlpool® Registered trademark/TM Trademark of Whirlpool group of companies

All rights reserved - <http://www.whirlpool.com.hk>

註冊商標/惠而浦集團的TM商標

版權所有 翻印必究 - <http://www.whirlpool.com.hk>



Whirlpool