

Instructions for use
使用說明書



WF1D041

Whirlpool (Hong Kong) Ltd.
一站式顧客查詢熱線
Star Hotline: 2406 9138
www.whirlpool.com.hk

CKWLP-K01-B



Instructions for use
使用說明書



WF1D041

Whirlpool (Hong Kong) Ltd.
一站式顧客查詢熱線
Star Hotline: 2406 9138
www.whirlpool.com.hk

CKWLP-K01-B



Water contained in food or in the air inside the refrigerator may form a layer of frost inside. This will weaken the cooling when the frost is thick. Therefore you should defrost manually when the ice is thick. When defrosting, a pan should be put under the evaporator for collecting the defrost water.


DEFFROSTING INSTRUCTIONS

Avoid placing the refrigerator in a place with heavy moisture to minimize possibility of rusting of metal parts. Also do not directly spray water on the refrigerator as it would lead to poor insulation and current leakage.

PROTECTION FROM MOISTURE

The cord should be neither lengthened nor folded into a coil during operation. Moreover, it is forbidden to keep the cord close to the compressor as the surface temperature of the compressor becomes high during operation.

POWER LINE CORD

 WARNING Electric Shock Hazard	<ul style="list-style-type: none"> ■ Plug into a 3 prong grounded outlet. ■ Do not remove ground prong. ■ Do not use an adapter. ■ Do not use an extension cord. ■ Failure to follow these instructions can result in death, fire or electrical shock.
---	---

The refrigerator has a power supply of single phase alternating current of 220-240V-50Hz. If there are voltage fluctuations of a large magnitude, be sure to use an a.c. automatic voltage regulator. Fix the refrigerator into a 3 pin, electrical socket and switch on.

POWER SUPPLY

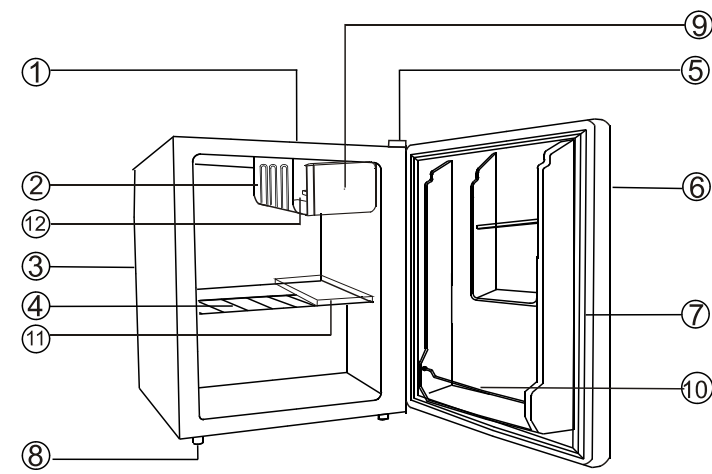
Choose a well ventilated place around the refrigerator for easy dissipation of heat, high efficiency of refrigeration and low power consumption. Its back should be at least 100mm away from the wall, its sides at least 100mm away from the walls and its top should be around 200mm away from the walls. Enough space should be left for the door to open to a 160° angle.

GOOD VENTILATION

INSTRUCTIONS

ABOUT YOUR WHIRLPOOL REFRIGERATOR

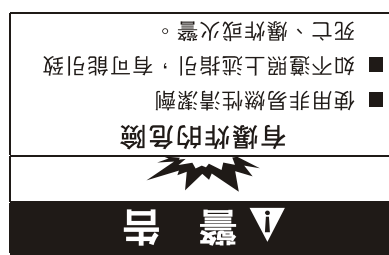
PARTS AND FEATURES



- ① Cabinet
- ② Evaporator
- ③ Thermostat Knob
- ④ Shelf
- ⑤ Hinge Cover
- ⑥ Door
- ⑦ Gasket
- ⑧ Adjustable Legs
- ⑨ Small Door
- ⑩ Door Trim
- ⑪ Water Tray
- ⑫ ICE Tray

» 如雪櫃內的塑膠部分長期被油漬(動物或蔬菜)沾污，會容易老化及可能出現裂痕。滴水盤如不定期清潔，會容易變得骯髒及產生異味。請定期清潔滴水盤。

» 緊記櫃門的塑膠邊要經常保持清潔。



» 清潔時，不可使用熱水、稀釋液、汽油、酒精、煤油、洗衣粉、清潔劑、鹼性洗滌劑、酸性物料、化學抹布等，因為這些物質會損壞漆料塗層和塑膠組件。禁止把水直接噴灑到雪櫃上，因有可能造成生鏽或損壞絕緣物質。

» 用濕布抹拭雪櫃和配件的表面和內側。如大骯髒，可使用中和的清潔劑洗擦、用清水沖洗並以乾淨的抹布擦乾。清潔雪櫃後，建議使用棉絨布沾少量玻璃蠟，抹上雪櫃表面。

» 進行維修時，首先要確保電源插頭已從插座上拔出。

» 每月應為雪櫃做一次清潔及保養。

保養

問題處理

1. 雪櫃不能操作
 - 檢查是否發生電力故障。
 - 檢查插頭是否已插進電源插座中。
 - 檢查保險是否已燒斷。
2. 雪櫃過冷

如您把含大量水份的食物直接放在蒸發器口下面，它會很容易結冰。這並不代表產品出現故障。
3. 雪櫃不夠冷
 - 食物可能被擺放得太擠迫，以致防礙冷空氣的流動。
 - 您可能把太熱或過多的食物放進雪櫃內。
 - 您可能未關好雪櫃門。
 - 雪櫃門封邊可能已損毀。
 - 雪櫃未能良好通風。
 - 雪櫃和兩側及頂部，可能沒有足夠空間。
 - 恆溫器旋鈕設定不恰當。
4. 雪櫃外部表面形成水珠

在潮濕的季節，當濕度十分高時，雪櫃外面可能會形成水珠。

這相等於把凍水注入玻璃杯後，表面會出現水珠的現象，而並非出現故障。請用乾布抹乾表面。
5. 若您聽到像水流的聲音

這是冷卻劑流動的聲音，並非出現故障。
6. 雪櫃側板發熱

當雪櫃門被頻密地開關、在剛開始啟動產品時，或在夏季時室外的環境溫度很高時操作本雪櫃，雪櫃側板便會發熱。在這些情況下，請勿接觸雪櫃側板，原因是熱氣從雪櫃內散熱所致，這並非故障現象。

» Wait for 5 minutes before restarting the unit in case of a power blackout.

» When the refrigerator is not in use for long periods of time, disconnect it from the electricity supply.

» in any way.

» It is dangerous to alter the specifications or attempt to modify this product

» purpose tools are required.

» If the power supply cord of this appliance is damaged, it must only be replaced by a repair shop appointed by the manufacturer as special

» the same as the rated voltage.

» Before the refrigerator is used, it must be checked that the voltage used is

CAUTIONS

CORRECT POSITION

PROTECTION FROM HEAT

The refrigerator should be kept far away from any heat source or direct sunshine.

STABLE FIXING

Floor on which refrigerator will be placed must be flat and solid. It should not be put on any soft material such as foam, plastic, etc. If the levelling of refrigerator is not proper, adjust the screws suitably.

KEEP AWAY FROM DANGER

It is inadvisable to place the refrigerator near any volatile or combustible such as gas, petrol, alcohol, lacquer and banana oil, etc. The above-mentioned objects can not be stored in the refrigerator.

MOVING

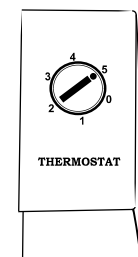
When fixed or moved, the refrigerator can not be set horizontally or declined to more than 45° or upside-down.

THERMOSTAT KNOB

Thermostat setting range is from 1 to 5. 1 denotes 'low cool' setting and 5 indicates 'high cool' setting. The Knob can be set with the help of a coin.

Ambient Setting Vs Knob Position:

Ambient Temperature	Knob Position
less than 25°C	1 - 2
25°C - 35°C	2 - 4
more than 35°C	4 - 5



Cooling level can also vary depending on load shedding, frequency of the door opening, etc. This can be adjusted manually with the help of the knob to get desired level of cooling.

Note: It is advisable to have your refrigerator installed by an authorised Whirlpool Service representative.

- » 使用雪櫃前，必須檢查家居使用的電壓與產品資料牌上註明的電壓一致。
- » 食物的水分或雪櫃中的空氣可能會令雪櫃內結霜，太厚的霜雪會減弱雪櫃的製冷功能。所以，您可能需要自行除霜。除霜時必須在蒸發器下方放置盛水托盤，以收集除霜後的水分。
- » 若本產品的電線損壞，必須由生產商指派的維修公司進行更換，因為修理電線須使用特別的工具。
- » 更改雪櫃的規格或嘗試改變本產品是非常危險的。
- » 若雪櫃將長時間停止操作，請先中斷電源供應。
- » 若出現停電情況，請等待5分鐘後才重新啟動雪櫃電源。

注意事項

轉換機門打開方向

本雪櫃的門可從左邊或右邊開啟。運送時，雪櫃的門鉸安裝在右邊，若您需要轉換打開機門的方向，請遵照以下指示：

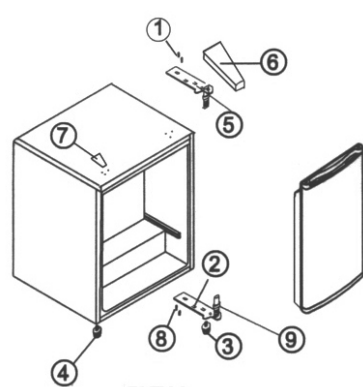
注意：

轉換機門方向之前，請先中斷電源。

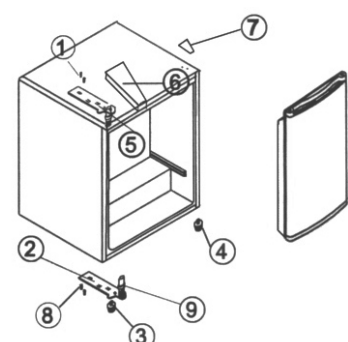
所有拆除的零件必須保留，以便重新安裝機門。

現在，請遵照以下指示：

1. 首先拆除門鉸上蓋 (6)。
2. 拆除兩枚固定上鉸 (5) (右邊) 至門框的螺絲。移除上鉸 (5)。
3. 提起機門並將其放在墊子上，以防刮花表面。
4. 拆除兩枚固定下鉸 (2) 的螺絲 (8)。確保移走下鉸 (2)。
5. 移走左前支腳 (4)，並將它裝在右邊。
6. 將孔蓋板 (7) 移到右邊。
7. 安放下鉸 (2) 前，請移走螺栓銷 (9)，將下鉸 (2) 方向倒轉。然後用兩枚螺絲 (8) 將下鉸 (2) 安裝到雪櫃下框架的左邊。
8. 將螺栓銷 (9) 插入下鉸部分。
9. 將機門定位，確保機門安放在下鉸 (2) 之上。
10. 把機門保持在關閉狀態，用兩枚螺絲 (1) 將上鉸 (5) 固定在左邊的頂框上。直至機門頂部與雪櫃頂蓋對齊，才可旋緊兩枚螺絲。
11. 將門鉸上蓋 (6) 安裝在上鉸位置。

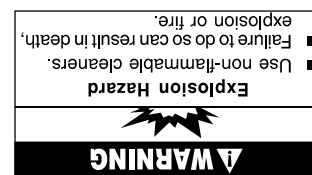


圖一
機門從左邊開啟。



圖二
機門從右邊開啟。

- » The refrigerator should be cleaned and maintained once a month.
- » When performing maintenance, make sure that the power plug is first disconnected from the power outlet.
- » Wipe the inner and outer surface of the refrigerator and its accessories with a wet cloth. If they are too dirty, scrub them with neutral detergent, and then clean them with water and dry them with a clean cloth. After this, a small quantity of glass wax is recommended for polishing the refrigerator surface with a flannel.
- » For cleaning, don't use hot water, diluent, petrol, alcohol, kerosene, washing powder, cleanser, alkaline detergent, acid, chemical cloth, etc. as they would damage the lacquer coat and plastics. It is forbidden to directly spray the refrigerator with water as it can cause rust or weaken the insulation.
- » Always remember to keep the sealing rubber bars of the door clean.
- » If the plastic parts in the refrigerator remain contaminated for a long time with oil (animal or vegetable), they will easily age and possibly crack. The drain pan gets dirty very easily if it is not cleaned regularly and bad odours are produced. Get into the habit of cleaning this pan regularly.



For cleaning, don't use hot water, diluent, petrol, alcohol, kerosene, washing powder, cleanser, alkaline detergent, acid, chemical cloth, etc. as they would damage the lacquer coat and plastics. It is forbidden to directly spray the refrigerator with water as it can cause rust or weaken the insulation.

MAINTENANCE

CHANGING THE REVERSIBLE DOOR

This refrigerator has the capability of having the door open from the left or right side. The unit is delivered to you with the door opening from the left side. Should you desire to reverse the opening direction, please follow these instructions.

NOTE:

Before reversing the door, the power must be shut off.

All parts removed must be saved for the reinstallation of the door.

Now follow the instructions below:

1. Remove the upper hinge cover (6) first.
2. Remove the two screws (1) that hold the upper hinge (5) (right side) to the frame. Take away the upper hinge (5).
3. Lift the door and place it on a padded surface to prevent scratching.
4. Remove the two screws (8) that hold the lower hinge (2) and make sure you remove the lower hinge (2).
5. Remove the left front leg (4) and transfer it to right side.
6. Remove the hole cover plate (7) to the right side.
7. Before placing this lower hinge (2), remove the bolt-pin (9) and reverse the direction of the lower hinge (2). Then install the lower hinge (2) onto the left side of the lower frame with two screws (8).
8. Insert the bolt-pin (9) to the lower hinge (2).
9. Set the door to its place making sure the door seat at the lower hinge (2).
10. While holding the door in the closed position secure the upper hinge (5) in the top frame of left side with two screws (1). Please remember not to tighten the two screws (1) until the top of the door is levelled with the counter top.
11. Install the upper hinge cover (6) on the upper hinge.

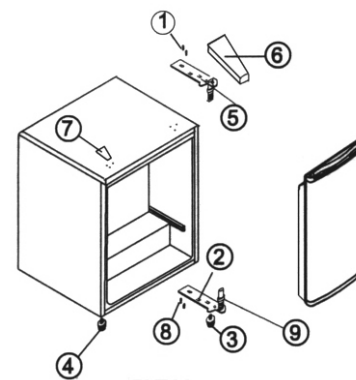


FIGURE 1
Door opening from left side

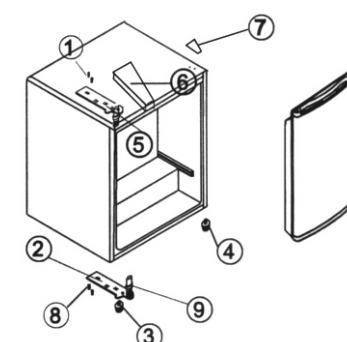


FIGURE 2
Door opening from right side

避免把雪櫃放在一個濕度高的地方，以免金屬零件出現生鏽。切勿在雪櫃上灑水，以免引致絕緣效能降低和漏電。

避免濕氣

雪櫃操作時，切勿把電線延長或捲曲。注意切勿把電源線放在壓縮器附近，因為雪櫃操作時，壓縮器表面的溫度會變高。

電線

觸電危險

警告

- 插入一個三腳連地線的電源插座。
- 切勿移除地線插腳。
- 切勿使用萬能插線。
- 切勿使用延長線。
- 不遵守這些指示可引致死亡、火警或觸電危險。

雪櫃的電源供應屬單相交流電220-240伏-50赫茲。若電壓波動更大，則必須使用自動調壓器。將雪櫃接駁至一個三腳13安培的電源插座，並啟動電源。

電源供應

選擇一個空氣流通的地方，讓雪櫃可容易散熱，並在發揮最大效能的同時，減低耗電量。雪櫃背部離牆壁須保持最少100毫米的距離，雪櫃兩側須預留最少100毫米的空間，而雪櫃頂部與上牆相距應不少於200毫米。安裝雪櫃時須預留足夠空間，讓雪櫃門可打開至160°。

空氣流通

正確位置

正確位置

避免受熱

雪櫃應遠離熱源及避免受陽光直接照射。

穩固安放

雪櫃必須安放在平坦及堅固的地面上，切勿把雪櫃放在柔軟的物料上，如發泡膠、塑膠等。若雪櫃平衡出現問題，可適當地調校水平調整腳。

遠離危險

切勿把雪櫃放在具揮發性或易燃的物品附近，如石油氣、汽油、酒精、漆器或香蕉油等。切勿把上述物品儲存在雪櫃內。

移動

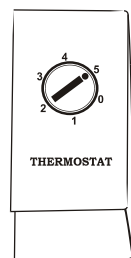
固定或移動雪櫃時，切勿把雪櫃橫放、傾斜至45°以上或倒轉。

恆溫器旋鈕

恆溫器設定值分為1至5：1表示「低冷」設定，而5則表示「高冷」設定。您可使用一枚硬幣調校旋鈕。

環境溫度與旋鈕位置：

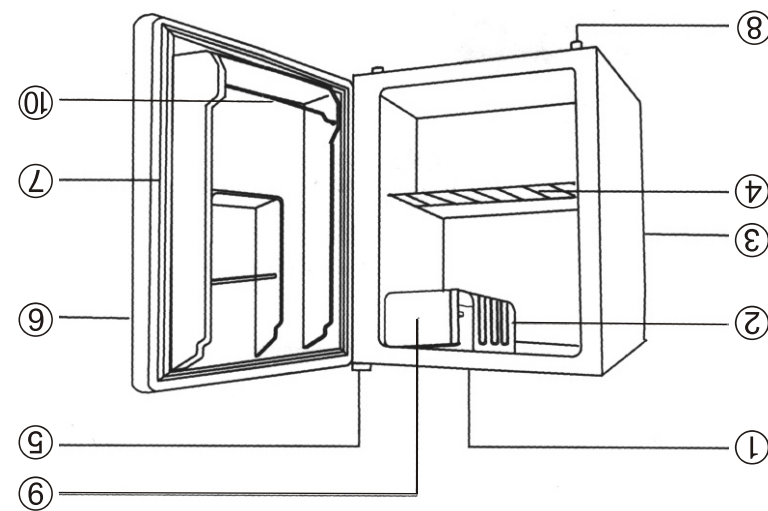
環境溫度	旋鈕位置
低於25°C	1-2
25°C - 35°C	2-4
高於35°C	4-5



冷凍程度亦會因雪櫃的負荷或雪櫃門打開次數而改變。您可使用恆溫器旋鈕隨意調校所需的溫度。

注意：建議由認可的惠而浦技師安裝您的雪櫃。

- ① 雪櫃外殼
- ② 蒸發器
- ③ 恆溫器旋鈕
- ④ 層架
- ⑤ 門鉸上蓋
- ⑥ 雪櫃門
- ⑦ 雪櫃封邊
- ⑧ 水平調整腳
- ⑨ 小門
- ⑩ 櫃門飾邊



配件與特徵

關於您的惠而浦雪櫃

TROUBLESHOOTING

1. The refrigerator does not work:
Check if there's a power failure.
Check if the power plug is plugged into the power outlet.
Check that the fuse has not blown.
2. The refrigerator is cooling excessively:
If you place foodstuff containing a lot of moisture directly under the cool air outlets, they will freeze easily. This does not indicate a malfunction.
3. The refrigerator is not cooling sufficiently:
The food may be packed too tightly together which will block the flow of cool air.
You may have put something hot or a lot of foodstuff into the refrigerator.
The door may not have been closed properly.
The door gaskets may be damaged.
The refrigerator may not be ventilated.
There may be insufficient clearance between the refrigerator and the surface.
The thermostat knob may not be set properly.
4. Condensation forms on the outside of the refrigerator:
Condensation may form on the outside when the humidity is high like during a wet season. This is the same kind of condensation that forms when chilled water is poured into a glass. It does not, therefore, indicate a failure. Wipe it dry with a dry cloth.
5. You can hear a sound like water flowing:
A sound like water flowing is the refrigerant flowing. It does not indicate a malfunction.
6. The cabinet's side panel heats up:
The side panel of the cabinet will heat up when the door is opened or closed frequently, when starting the unit and when the unit operates in summer with high ambient temperature outside. In such a case, do not touch the panel, as it results from the dissipation of heat from inside the cabinet, and it does not mean that something is wrong with the refrigerator.