

***INSTRUCTION MANUAL***

***T- Box Hood***

***AKR3985/IX***

**WHIRLPOOL**

Dear Customer,

If you follow the recommendations contained in this Instruction Manual, our appliance will give you constant high performance and will remain efficient for many years to come.

## **CONTENTS**

### **RECOMMENDATIONS AND SUGGESTIONS**

### **CHARACTERISTICS**

### **INSTALLATION & USE**

### **MAINTENANCE**

### **Product Specification & Technical Parameters**

Model	AKR3985/IX
Rated Voltage	220-240V
Rated Power Frequency	50Hz
Light Power	2x20W
Motor Power	320W
Total Power	360W
Maximum suction	1000m <sup>3</sup> /hr
Diameter of Exhaust Pipe	150mm
Product Dimension (mm)	L 900 x W 480 x H 510-985
Net Weight	19kg
Gross Weight	23.5kg

### **RECOMMENDATIONS AND SUGGESTIONS**

#### **INSTALLATION**

\* The manufacturer will not be held liable for any damages resulting from incorrect or improper installation.

\* Please read this instruction manual before installing and using this cooker hood. Properly keep this instruction manual in a safe place for future reference.

\* This cooker hood designed to be used only in the Ducted Mode

\* Only a qualified and trained service technician can undertake the

---

work of installation and servicing.

\* Check that the mains voltage corresponds to the one indicated on the rating plate fixed inside the hood.

\* Check that the domestic power supply guarantees adequate earthing.

\* Do not connect the hood to exhaust ducts carrying combustion fumes (boilers, fireplaces, etc.)

\* If the hood is used in conjunction with non-electrical appliances (e. g. gas burning appliances), a sufficient degree of ventilation must be guaranteed in the room in order to prevent the backflow of exhaust gas. The kitchen must have an opening directly with the open air in order to guarantee the entry of clean air.

**NOTICE:** Considering excessive weight, two or more people are required to install or move this appliance. Failure to do so can cause physical injuries and damage to the product.

### **USE**

\* The cooker hood has been designed only for domestic use to eliminate kitchen fumes.

\* Never use the hood for purposes other than what it has been designed for.

\* Never leave high naked flames under the hood when it is in operation.

\* Adjust the flame intensity to direct it onto the bottom of the pan only make sure that it does not engulf the pan sides.

\* Deep fat fryer must be continuously monitored during use: overheated oil can burst into flame.

\* The hood should not be used by children or person not instructed on its correct usage.

---

## **MAINTENANCE**

- \* Proper maintenance of the Range Hood will assure proper performance of the unit.
- \* Disconnect the hood from the main supply before carrying out any maintenance work.
- \* Clean and/or replace grease filters after specified period of time.
- \* Clean the hood using a damp cloth and a neutral liquid detergent.
- \* **DISPOSAL:** Do not dispose this product as unsorted municipal waste. Collection of such waste separately for special treatment is necessary.

## **WARNING!!**

In certain circumstances electrical appliances may be a danger hazard.

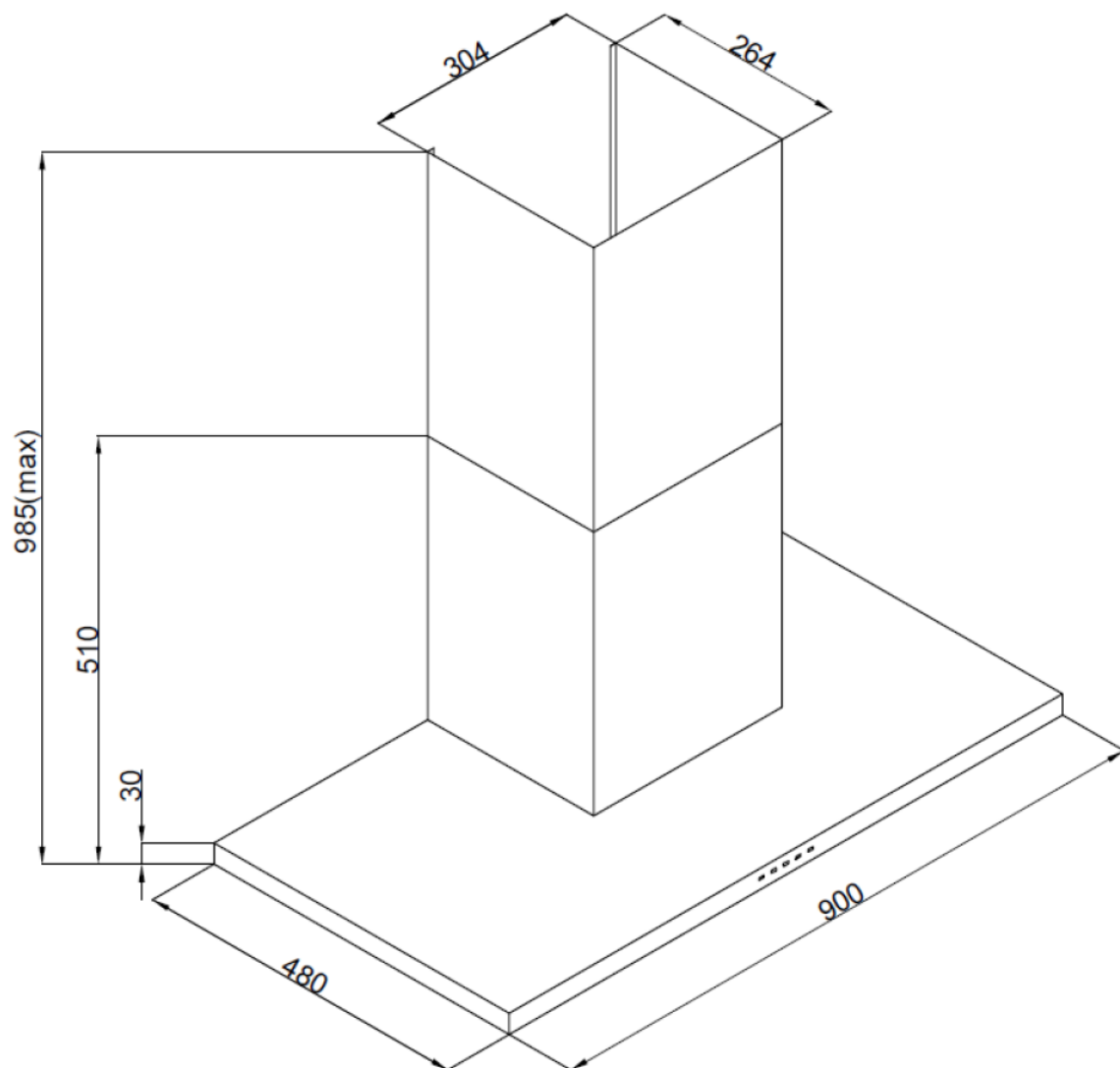
- \* Do not check the status of the filters while the cooker hood is operating.
- \* Do not touch the light bulbs during/ immediately after appliance use.
- \* Do not disconnect the appliance with wet hands.
- \* Avoid naked flame, as it may damage the filters and a fire hazard.
- \* Constantly check a frying food to avoid that the overheated oil may become a fire hazard.
- \* Disconnect the electrical plug prior to any maintenance.
- \* Children don't recognize the risks of electrical appliances. Therefore use or keep the appliance only under supervision of adults and out of the reach from children.
- \* Don't use this product outdoor.
- \* This appliance is not intended for use by persons (including children) with reduced physical, sensory or mental capabilities, or lack of experience and knowledge, unless they have been given supervision or instruction concerning use of the appliance by a person responsible for their safety. Children should be supervised to ensure that they do not play with the appliance.

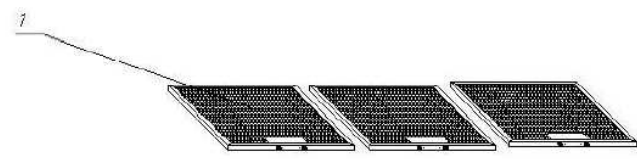
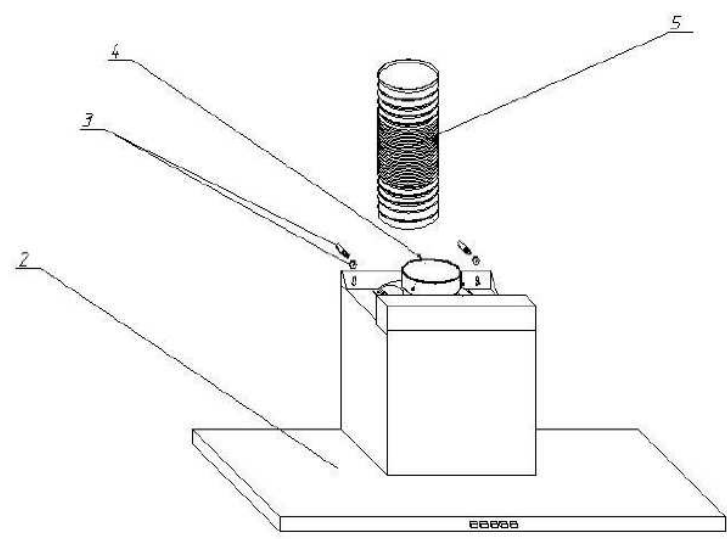
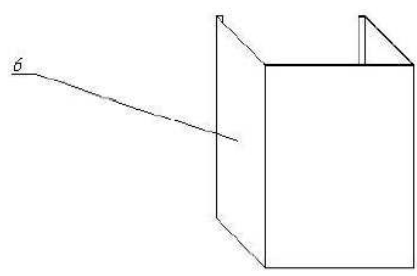
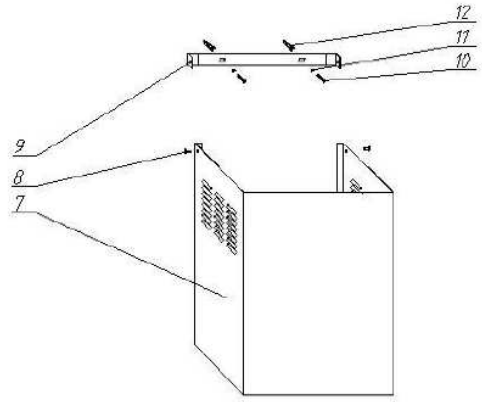
- \* There shall be adequate ventilation of the room when the range hood is used at the same time as appliances burning gas or other fuels.
- \* There is a fire risk if cleaning is not carried out in accordance with instructions.
- \* Do not leave bare flames under the range hood.
- \* The discharge air must not be discharged into a flue which is used for exhausting fumes from appliances burning gas or other fuels.

## **CHARACTERISTICS**

---

### **DIMENSIONS**





## **COMPONENTS**

<b>Ref</b>	<b>Qty</b>	<b>Components</b>
1	2/3pcs	Grease filter
2	1pcs	Hood body
3	2pcs	steel bolt
4	3pcs	Cross self-drill bolt
5	1pcs	Exhaust
6	1pcs	Exterior chimney
7	1pcs	Inner chimney
8	2pcs	Cross discal thread bolt
9	1pcs	Fixing frame
10	2pcs	Cross discal bolt-big head
11	2pcs	Flat rubber band
12	2pcs	Plastic distensible sleeve

<b>Ref</b>	<b>Qty</b>	<b>Documentations</b>
13	1pc	Instruction Manual
14	1pc	Warranty Card

## **INSTALLATION & USE**

Note 1: Carefully remove the protective film from chimney and front panel prior to final installation.

Note 2: At least two people will be required to mount the hood.

### **FIXING TO THE WALL**

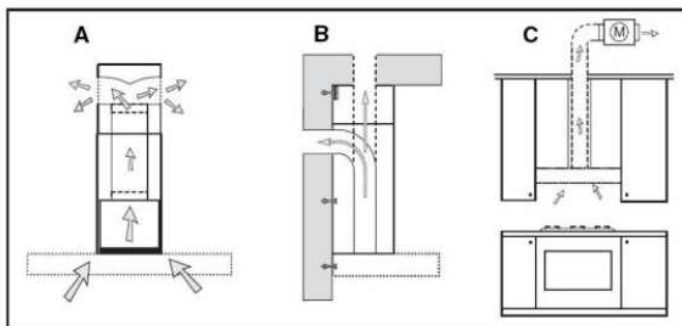


Fig.1

1. Drill the holes according to the distances indicated (Fig.2).
2. Fix the appliance to the wall and align it in horizontal position to the wall units.
3. When the appliance has been adjusted, fix the hood using the screws A. For the various installations use screws and screw anchors suited to the type of wall (e.g. reinforced concrete, plasterboard, etc.). If the screws and screw anchors are provided with the product, kindly check the screws are suitable for the type of wall in which the hood is to be fixed.

Fig.2

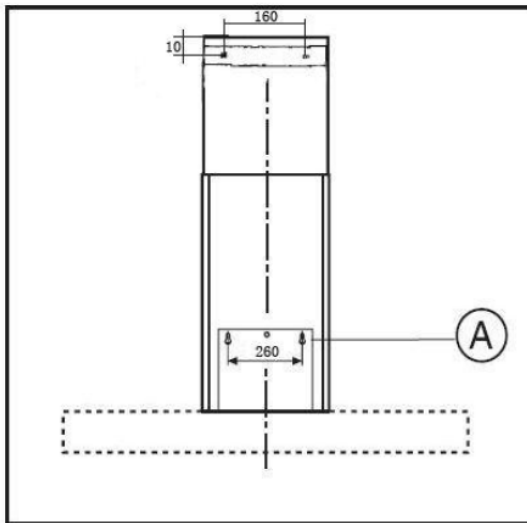
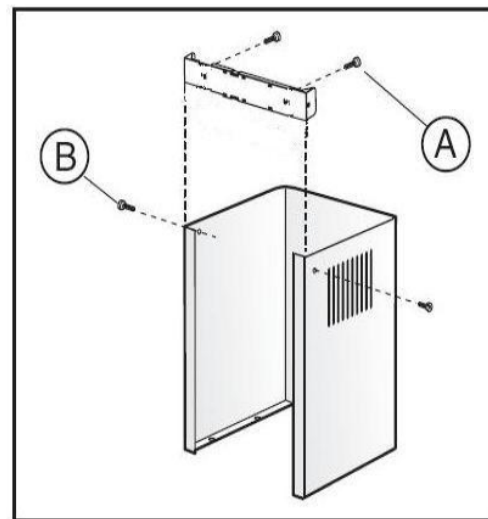


Fig.3



### **Fixing Chimney**

1. Arrange the electrical power supply within the dimensions of the chimney. If your appliance is to be installed in the ducting version or in the version with external motor, prepare the air exhaust opening.
2. Adjust the width of the support bracket of the exterior chimney (Fig.3). Then fix it to the ceiling using the screws A (Fig.2) make sure that it is in line with your hood and respecting the distance from the ceiling indicated in Fig.2. Connect the flange C to the air exhaust hole using a connection pipe (Fig.4).

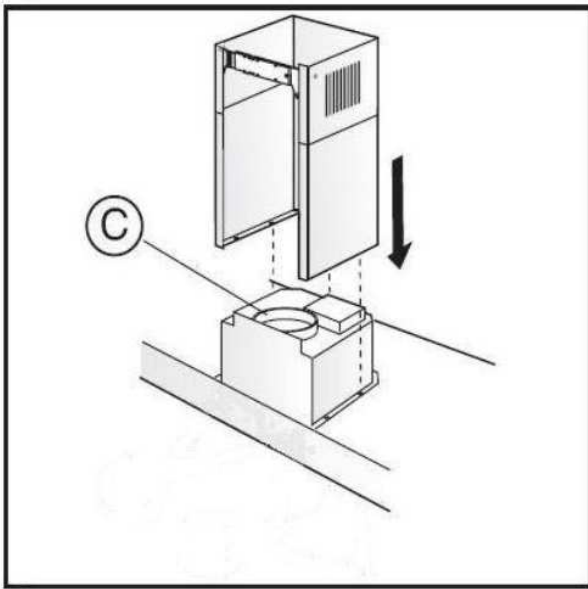


Fig.4

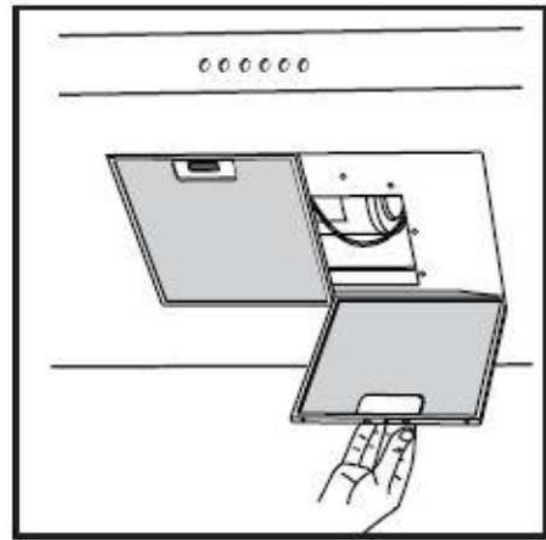
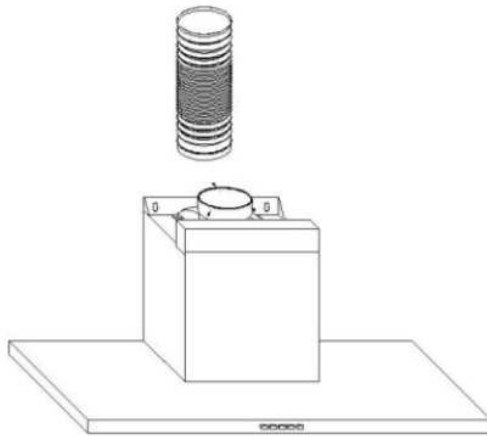


Fig.5

### **DUCT FIXING**

**Caution:** To reduce the risk of fire, recommend use aluminium ductwork.

1. Attach an adequate length of  $\phi 150\text{mm}$  round duct into the recessed area of the air outlet adapter.
2. The duct has to be secured using two screws from two sides of the air outlet adapter. Make sure the duct is fixed well on.



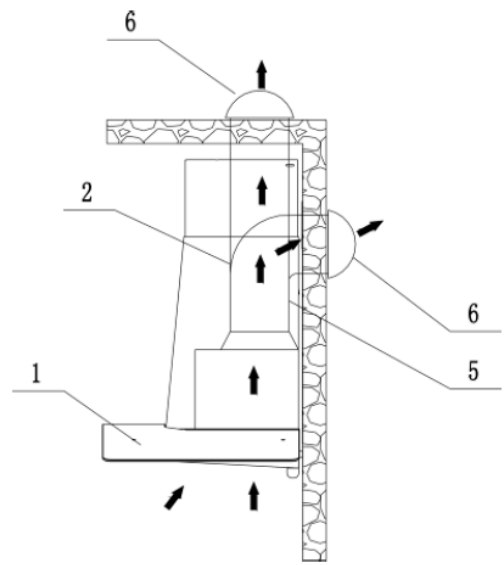
### **DESCRIPTION/CONNECTIONS**

#### **Ducted mode air exhaust system**

The hood draws the cooking fumes saturated with fumes and odor through the grease filters and expels it to the outside through an outlet pipe.

**Caution:** To reduce the risk of fire, use metal ductwork only.

1. Decide where the ductwork will run between the hood and the outside.
2. A straight, short duct run will allow the hood to perform most efficiently.
3. Long duct runs, elbows, and transitions will reduce the performance of the hood. Use as few of them as possible. Larger ducting may be required for best performance with longer duct runs.



4. Attach an adequate length of  $\phi 150\text{mm}$  round duct to the air outlet adapter. Let the exhaust run for a minimum of 1 meter in Straight line in between bends / elbows for better efficiency.
5. The air must not be discharge into a flue that is used for exhausting fumes from appliances burning gas or other fuels" "Regulations concerning the discharge of air have to be fulfilled.
6. Install a roof/wall cap. Connect round metal ductwork to cap and work back towards hood location. Use duct tape to seal the joints between ductwork sections.

### **Electrical Connection**

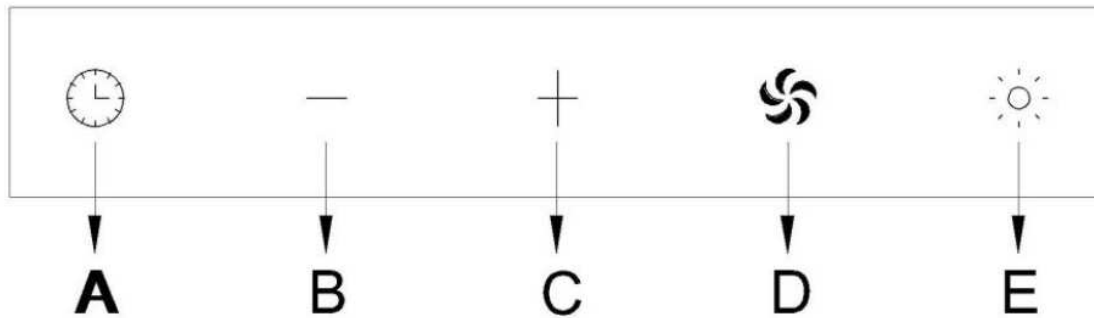
\* Electrical wiring must be done by a qualified person(s) in accordance with all applicable codes and standards. **Turn off electrical power at service entrance before wiring.**

\* If the supply cord is damaged, it must be replaced by the manufacturer, its service agent or similarly qualified persons in order to avoid a hazard.

\* Do not use the plug and an extension cord other than the ones initially supplied with the hood.

\* The earthing of this hood is compulsory. Do not remove ground prong of the plug.

## **OPERATION OF CONTROLS**



1. Press 'E' to turn ON / OFF the lamp

### **Normal Mode Operation**

1. Press 'B' to turn ON at speed 1 / Adjust speed
2. Press 'C' to turn ON at low speed 3 / Adjust speed
3. Press 'D' to turn ON Turbo Speed / Turn OFF the appliance

### **Timer Mode Operation**

1. Press 'A' once to turn OFF after 15 min
2. Press 'A' twice to turn OFF immediately

## **MAINTENANCE**

**Switch off or unplug the appliance from the mains supply before carrying out any maintenance work.**

### **GREASE FILTER**

\* The grease filters should be cleaned frequently (every two months of operation, or more frequently for heavy use). Use a warm detergent solution.

\* Grease filters are washable.

1. Remove the grease filter by pressing the latch on the filter (Fig5). This will disengage the filter from the hood. Tilt the filter downward and remove.
2. Wash the filters, taking care not to bend them. Allow them to be

dry before refitting.

3. To install the grease filter, press the latch on the filter again. Make sure the filter is securely engaged after assembly.

### **WARNING:**

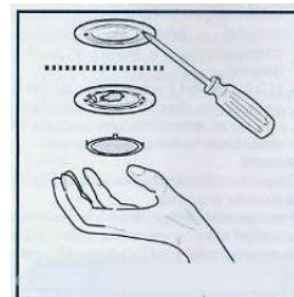
1. Always switch off the electrical supply before carrying out any operation on the appliance.
2. Only a qualified and trained service technician can undertake the work of bulbs replacement and servicing.

### **CAUTION:**

1. The surface and the cover of the lamp may be hot. TAKE CARE while replacing.
2. Bulbs may be hot. Take care while replacing.

### **Replace lamp**

1. Take off the cap by a screw driver.
2. Remove the metal ring
3. Replace the bulb with a 20 watt halogen light.



**We recommend only using lamps of the same specification as the one being replaced.**

### **GREASE FILTER CLEANING**

- \* Remove the filters from the cooker hood and wash them in a solution of water and neutral liquid detergent, leaving to soak.
- \* Rinse thoroughly with warm water and leave to dry.
- \* The filters may also be washed in the dishwasher.
- \* Please take note that the aluminum panels may alter in color after several washes.

### **HOOD CLEANING**

Glass and aluminum are two of the easiest materials to keep clean. Occasional care will help preserve its fine appearance.

### Cleaning tips:

- \* Hot water with soap or detergent is all that is usually needed.
- \* Follow all cleaning by rinsing with clear water. Wipe dry with a clean, soft cloth to avoid water marks.
- \* For discolorations or deposits that persist, use a non-scratching household cleanser or stainless steel polishing powder with a little water and a soft cloth.
- \* For stubborn cases use a plastic scouring pad or soft bristle brush together with cleanser and water. Rub lightly in direction of polishing lines or "grind" of the aluminum finish. Avoid using too much pressure that may mar the surface.
- \* Do not allow deposits to remain for long periods of time.
- \* Do not use ordinary steel wool or steel brushes. Small bits of steel may adhere to the surface causing rust.
- \* Do not allow salt solutions, disinfectants, bleaches, or cleaning compounds to remain in contact with aluminum finish for extended periods. Many of these compounds contain chemicals that may be harmful. Rinse with water after exposure and wipe dry with a clean cloth.
- \* Painted surfaces should be cleaned with warm water and mild detergent only.

## TROUBLE SHOOTING

In case if the Cooker Hood is not working or working improperly, before calling the after sales service, switch off the appliance, unplug the power supply and refer to the guide below to determine the problem

<b>S.No.</b>	<b>Status</b>	<b>Reasons</b>	<b>Solutions</b>
1	Lamp doesn't work	Power supply not connected	Check if the power cord is properly connected or not
		Lamp is damaged	Call consumer service for support
2	Hood gives out loud noise	Filter not properly fitted	Remove and refit the filters in its place
		Hood is not installed properly	Call consumer service for support
3	The air exhaust performance is bad	Distance between Hood and Hob is too high	Call consumer service for support
		Filter is choked	Clean filter and refit in its place
		Duct is damaged	Call consumer service for support