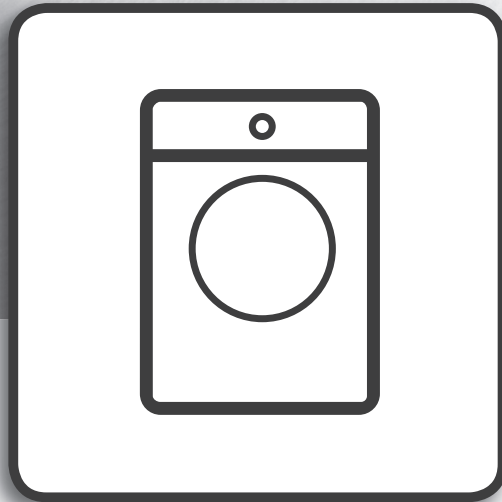


Whirlpool



## Health & Safety, Use & Care, Installation Guide and Online Warranty Registration Information

產品安全指引、使用說明、安裝指南及  
網上登記保養資料

Model 產品型號 : CWNB7002GWG



[www.whirlpool.com.hk](http://www.whirlpool.com.hk)


---

**ENGLISH** ..... 3

繁體中文 ..... 14

# ENGLISH

# USER MANUAL

 This symbol reminds you to read this instruction manual.

## INDEX

<b>USER MANUAL</b> .....	<b>4</b>
Control Panel .....	4
Wash Cycle Table .....	4
Product Description .....	4
Detergent Dispenser Drawer .....	4
Wash Cycles .....	5
Display .....	5
First-Time Use .....	5
Daily Use .....	5
Pausing a Cycle .....	5
Opening the Door, If Necessary .....	5
Changing a Running Wash Cycle .....	5
At the End of the Wash Cycle .....	6
Options .....	6
Child Lock .....	6
Tips and Suggestions .....	6
Accessories .....	6
Transport and Handling .....	6
Care and Maintenance .....	6
<b>TROUBLESHOOTING</b> .....	<b>9</b>
<b>INSTALLATION GUIDE</b> .....	<b>10</b>
<b>SAFETY INSTRUCTIONS</b> .....	<b>12</b>
<b>AFTER-SALES SERVICE</b> .....	<b>13</b>

## THANK YOU FOR PURCHASING A WHIRLPOOL PRODUCT.



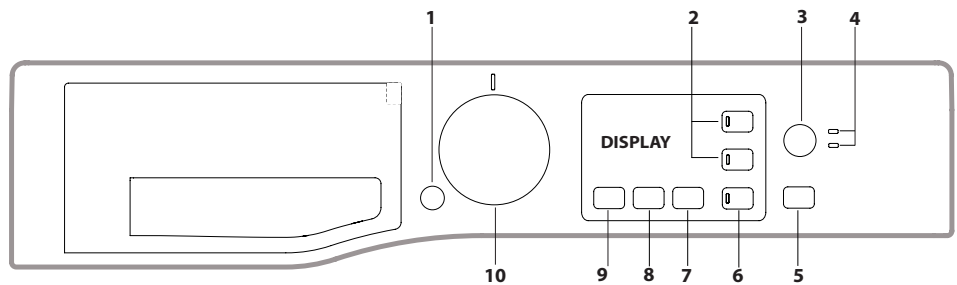
To receive more comprehensive assistance, register the appliance on [www.whirlpool.com.hk](http://www.whirlpool.com.hk)

**Before using the appliance carefully read the Health and Safety guide.**

**!** Before using the machine, it is imperative that the transport bolts are removed. For more detailed instructions on how to remove them, see the Installation Guide.

## CONTROL PANEL

1. ON/OFF button
2. OPTIONS buttons and indicator lights
3. CLEANING ACTION button
4. CLEANING ACTION indicator lights
5. START/PAUSE button and indicator light
6. CHILD LOCK button
7. DELAY START button
8. SPIN button
9. TEMPERATURE button
10. WASH CYCLE SELECTOR KNOB



## WASH CYCLE TABLE

Maximum load 7 kg						Cleaning Action		Steam Hygiene	Extra Rinse	Detergents and Additives		Recommended detergent	
Wash cycle	Temperature		Maximum spin (r.p.m.)	Max. load (kg)	Duration (h : m)	Intensive	Delicate			Wash	Fabric softener	Powder	Liquid
	Setting	Range											
1	Anti-Stain 40°	40 °C	☼ - 40 °C	1200	7.0	3:00	-	-	-	●	○	✓	-
2	Anti-Stain Rapid	40 °C	☼ - 40 °C	1200	3.5	1:00	-	-	-	●	○	-	✓
3	Cotton	40 °C	☼ - 60 °C	1200	7.0	3:50	-	-	-	●	○	✓	✓
4	Synthetics	40 °C	☼ - 60 °C	1200	3.5	2:55	✓	✓	✓	●	○	✓	✓
5	Rapid 30'	30 °C	☼ - 30 °C	1200	3.0	0:30	-	-	-	●	○	-	✓
6	Steam Refresh	-	-	-	1.5	0:20	-	-	-	-	-	-	-
7	Mixed	40 °C	☼ - 40 °C	1200	7.0	1:30	✓	✓	✓	●	○	-	✓
8	Wool	40 °C	☼ - 40 °C	800	1.5	1:25	-	-	-	●	○	-	✓
9	Eco Cotton	60 °C	☼ - 60 °C	1200	7.0	4:20	-	-	-	●	○	✓	✓
10	Cotton 20°C	20 °C	☼ - 20 °C	1200	7.0	1:50	-	-	-	●	○	-	✓
11	White	60 °C	☼ - 90 °C	1200	7.0	2:30	✓	✓	✓	●	○	✓	✓
12	Anti Allergy	60 °C	40 °C - 60 °C	1200	4.0	3:20	-	-	✓	●	○	✓	✓
13	Silk & Curtains	30 °C	☼ - 30 °C	600	1.0	0:55	-	-	-	●	○	-	✓
14	Bed&Bath	60 °C	☼ - 60 °C	1200	7.0	2:00	✓	✓	✓	●	○	✓	✓
	Rinse&Spin	-	-	1200	7.0	0:50	-	-	-	✓	-	○	-
	Spin&Drain	-	-	1200	7.0	0:10	-	-	-	-	-	-	-

● Required dosage ○ Optional dosage

**Eco Cotton** - Test wash cycles in compliance with regulations EN 60456: Set this wash cycles with a temperature of 60°C.

**For all test Institutes**

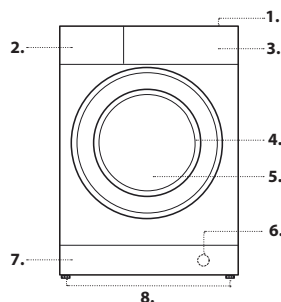
Long wash cycle for cottons: set wash cycle Cotton with a temperature of 40°C.

This data may differ in your home due to changing conditions in inlet water temperature, water pressure etc. Approximate programme duration values refer to the default setting of the programmes, without options.

The washer adapts water, energy and programme duration to your wash load.

## PRODUCT DESCRIPTION

1. Top
2. Detergent dispenser drawer
3. Control panel
4. Handle
5. Porthole door
6. Drain pump (behind the plinth)
7. Plinth (removable)
8. Adjustable feet (2)



## DETERGENT DISPENSER DRAWER

### Compartment \*:

Do not insert detergent in this compartment.

### Compartment 1: Washing detergent (powder or liquid)

If liquid detergent is used, the removable plastic partition **A** (supplied) should be used for proper dosage.

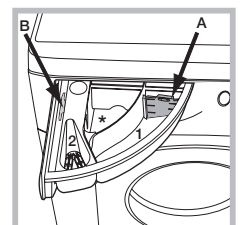
If powder detergent is used, place the partition into slot **B**.

### Compartment 2: Additives (fabric softeners, etc.)

The fabric softener must not exceed the "MAX" level.

**!** Follow the instructions given on the detergent packaging.

**!** Do not use hand washing detergents; they create too much foam.



## WASH CYCLES

Follow the instructions on the symbols of the garment's wash care label. The value indicated in the symbol is the maximum recommended temperature for washing the garment.



### Anti-Stain 40°

This cycle is suitable to heavily-soiled garments with resistant colours. It ensures a washing class that is higher than the standard class (A class). When running the programme, do not mix garments of different colours. We recommend the use of powder detergent. Pre-treatment with special additives is recommended if there are obstinate stains

### Anti-Stain Rapid

This cycle is ideal for washing daily stains in 60'. It is ideal for mixed fabrics and coloured garments.

### Cotton

Suitable for washing towels, underwear, table cloths, etc. made of resistant linen and cotton that are moderately to heavily soiled.

### Synthetics

Specific or synthetic items. If the dirt is difficult to remove, the temperature can be increased up to 60° and powder detergent can be used too.

### Rapid 30'

For washing lightly soiled garments in a short time. Not suitable for wool, silk and garments to be washed by hand.

### Steam Refresh

The garments will be damp once the cycle is completed, so we recommend hanging them to dry (1,5 kg, roughly 3 items). This programme refreshes garments by removing bad odours and relaxing the fibres and it is meant for dry, unsoiled items. Insert dry items only (that are not dirty) and select programme "Steam Refresh". The "Steam Refresh" programme makes ironing easier.

! Do not add softeners or detergents.

! Not recommended for wool or silk garments.

### Mixed

To wash mixed and coloured items together.

### Wool - Woolmark Apparel Care - Green:

The Wool wash cycle of this machine has been approved by The Woolmark Company for the washing of wool garments labelled as "hand wash" provided that the products are washed according to the instructions on the garment label and those issued by the manufacturer of this washer (M1253).



### Eco Cotton

For washing normally soiled cotton garments declared to be washable at 40 °C or 60 °C, together in the same cycle. This is the standard cotton programme and the most efficient in terms of water and energy consumption.

### Cotton 20°C

For washing lightly soiled cotton garments, at a temperature of 20 °C.

### White

For heavily soiled whites and resistant colours.

### Anti Allergy

Use this programme to remove major allergens such as pollen, mites, cat's and dog's hair.

### Silk&Curtains

To wash all silk garments. We recommend the use of special detergent which has been designed to wash delicate clothes.

### Bed&Bath

For washing home linen in a single cycle. It optimises the use of fabric softener and allows for saving time and electricity. We recommend the use of powder detergent.

### Rinse&Spin

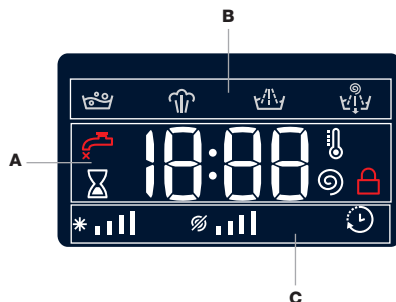
Designed for rinsing and spinning.

### Spin&Drain

Designed for spinning and draining the water.

## DISPLAY

The display is useful when programming the washing machine and provides plenty of information.



Section **A** displays the duration of the various available wash cycles and, once the cycle starts, the time remaining to the latter's end (the display will show the maximum duration of the selected cycle which may decrease after a few minutes, as the actual duration varies in relation to the laundry load and the chosen settings); if the DELAY START function was set, the display will show the time remaining to the start of the selected wash cycle.

Pressing the corresponding button allows for viewing the maximum spin speed and temperature values attained by the machine during the set wash cycle, or the most recently selected values, if these are compatible with the chosen wash cycle.

The "washing phases" relative to the selected cycle and the "washing phase" of the running cycle appear in section **B**:

- Wash
- Steam
- Rinse
- Spin / Drain

Section **C** displays – starting from the left – the icons corresponding to "temperature", "spin" and "delay start".

The "temperature" bars \* indicate the maximum temperature level that can be selected for the chosen cycle.

The "spin" bars indicate the maximum spin speed that can be selected for the chosen cycle.

When lit, the "delay" symbol indicates that the chosen "Delay start" value appears on the display.

### Locked door indicator

When lit, the symbol indicates that the door is locked. To prevent any damage, wait until the symbol turns off before opening the door.

To open the door while a cycle is in progress, press the START/PAUSE ; if the symbol is off, the door can be opened.

## FIRST-TIME USE

Once the appliance has been installed, and before it is used for the first time, run a wash cycle with detergent and no laundry, by setting the "Auto-Clean" cycle.

## DAILY USE

Prepare the laundry by following the suggestions appearing under the "TIPS AND SUGGESTIONS" section.

- Press the ON/OFF button ; the indicator light relative to START/PAUSE will flash slowly.
- Open the door. Load the laundry while making sure not to exceed the maximum load quantity indicated in the wash cycle table.
- Pull out the detergent dispenser drawer and pour the detergent into the relevant compartments, as described in the "DETERGENT DISPENSER DRAWER" section.
- Close the door.
- The machine automatically displays the maximum temperature and spin speed values for the selected cycle, or the most recently used settings if they are compatible with the selected cycle. Pressing the button gradually reduces the temperature down to the cold wash "OFF" setting. Pressing the button gradually reduces the spin speed until it is completely excluded ("OFF" setting). Pressing the buttons further restores the maximum allowed values for the selected cycle.
- Select the desired options.

### STARTING CYCLE

Press the START/PAUSE button.

The machine will lock the door ( symbol on) and the drum will start to rotate; the door will be unlocked ( symbol off) and then locked again ( symbol on) as preparation phase of each washing cycle. The "Clicking" noise is part of the door locking mechanism. Water will enter the drum and start the washing phase once the door is locked.

## PAUSING A CYCLE

To pause the wash cycle, press the START/PAUSE button again; the indicator light will flash. To start the wash cycle from the point at which it was interrupted, press the START/PAUSE button again.



## OPENING THE DOOR, IF NECESSARY

Once a cycle starts, the symbol turns on to signal that the door cannot be opened. While a wash cycle is running, the door remains locked. To open the door while a cycle is under way, for example, to add or remove garments, press the START/PAUSE button to pause the cycle; the indicator light will flash. If the symbol is not lit, the door may be opened. Press the START/PAUSE button again to continue the cycle.

## CHANGING A RUNNING WASH CYCLE

To change a wash cycle while it is in progress, pause the washing machine using the START/PAUSE button (the relative indicator light will flash) then select the desired cycle and press the START/PAUSE button again. ! To cancel a cycle that has already begun, press and hold the ON/OFF button. The cycle will be stopped and the machine will switch off.

## AT THE END OF THE WASH CYCLE

This will be indicated by the word "END" on the display; when the  symbol switches off, the door may be opened. Open the door, unload the laundry and switch off the machine. If you do not press ON/OFF  button, the washing machine will switch off automatically after about 10 minutes.

## OPTIONS

- If the selected option is not compatible with the set wash cycle, the indicator light will flash and the option will not be activated.
- If the selected option is not compatible with another option that has been selected previously, the indicator light corresponding to the first function selected will flash and only the second option will be activated; the indicator light corresponding to the activated option will be illuminated.

### **Steam Hygiene**


This option enhances washing performance by generating steam during the wash cycle to remove up to 99,9% of viruses and bacteria. Place the laundry in the drum, choose a compatible programme and select option Steam Hygiene.

! The steam generated during the operation of the washing machine may cause the porthole door to become hazy.


### **Extra Rinse**

Selecting this option allows for enhancing rinsing efficiently and fully removing the detergent. It is particularly useful for sensitive skin.

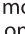
### **Delay start**

To set a delayed start for the selected cycle, press the corresponding button repeatedly until the desired delay period is reached. When this option has been activated, the  symbol lights up on the display. To remove the delayed start setting, press the button until "OFF" appears on the display.


### **Temperature**

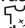

Each wash cycle has a pre-defined temperature. To modify the temperature, press the  button. The value will appear on the display.


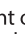
### **Spin**

Each wash cycle has a pre-defined spin speed. To modify the spin speed, press the  button. The value will appear on the display.

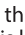
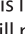
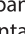

### **Cleaning Action**

Option  makes it possible to optimise washing based on the level of soil in the fabrics and on desired wash cycle intensity.

For heavily-soiled garments press  button until the  "Intensive" level is reached. This level ensures a high-performance wash due to a larger quantity of water used in the initial phase of the cycle and due to increased drum rotation. It is useful when removing the most stubborn stains.

For lightly-soiled garments or a more delicate treatment of the fabrics, press  button until the  "Delicate" level is reached. The cycle will reduce drum rotation to ensure washing results that are perfect for delicate garments.

## **CHILD LOCK**

To activate the control panel lock, press and hold the  button for approximately 2 seconds. When the  symbol is lit, the control panel is locked (except for the ON/OFF  button). This will prevent accidental modifications to wash cycles, especially when children are at home. To deactivate the control panel lock, press and hold the  button for approximately 2 seconds.

## **TIPS AND SUGGESTIONS**

### **Divide the laundry according to:**

Type of fabric (cotton, mixed fibres, synthetics, wool, garments to be hand-washed). Colour (separate coloured garments from whites, wash new coloured garments separately). Delicates (small garments – such as nylon stockings – and items with hooks – such as bras: insert them in a fabric bag).

### **Empty the pockets:**

Objects such as coins or lighters can damage the washing machine and the drum. Check all buttons.

### **Follow the dosage recommendation / additives**

It optimizes the cleaning result, it avoids irritating residues of surplus detergent in your laundry and it saves money by avoiding waste of surplus detergent.

### **Use low temperature and longer duration**

The most efficient programmes in terms of energy consumption are generally those that perform at lower temperatures and longer duration.

### **Observe the load sizes**

Load your washing machine up to the capacity indicated in the "WASH CYCLE TABLE" table to save water and energy.

## ACCESSORIES

Contact our Technical Assistance Service to check whether the following accessories are available for this washing machine model.

### **Stacking kit**

With this accessory you can secure the tumble dryer to the upper part of your washing machine to save space and facilitate loading and unloading of the tumble dryer.

## TRANSPORT AND HANDLING

*Do not lift the washing machine by gripping it from the upper section.*

Unplug the appliance and close the water tap. Check that the door and detergent dispenser drawer are tightly closed. Detach the filling hose from the water tap then detach the drain hose. Empty all the water remaining in the hoses and secure the latter so that they do not get damaged during transport. Apply the transport bolts back on. Repeat, in reverse order, the transport bolt removal procedure described in the "Installation instructions".

Important: Do not transport the washing machine without having fixed the transport bolts.

## CARE AND MAINTENANCE

*Before performing cleaning and maintenance, switch the washing machine off and disconnect it from the mains power. Do not use flammable liquids to clean the washing machine. Clean and maintain your washing machine periodically (at least 4 times per year).*

### **Cutting off the water and electricity supplies**

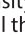

Close the water tap after every wash. This will limit wear on the hydraulic system inside the washing machine and help to prevent leaks. Unplug the washing machine when cleaning it and during all maintenance work.

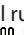
### **Cleaning the washing machine**

The outer parts and rubber components of the appliance can be cleaned using a soft cloth soaked in lukewarm soapy water. Do not use solvents or abrasives.

The washing machine has a "Auto-Cleaning" cycle for its internal parts; it must be run without any load in the drum.

To optimise this cycle, it is possible to use either detergent (10% of the quantity specified for lightly soiled garments) or Wpro Power Fresh Washer Odour Prevent Tab to clean the washing machine. We recommend running a cleaning cycle every 40 wash cycles.

To start the cycle press buttons  and  simultaneously for 5 seconds.

The cycle will start automatically and will run for about 70 minutes. To stop the cycle, press the START/PAUSE  button.

### **Cleaning the detergent dispenser drawer**

Remove the dispenser drawer by lifting and pulling it outwards. Wash it under running water; this procedure should be effected regularly.

### **Caring for the door and drum**

Always leave the porthole door ajar in order to prevent unpleasant odours from forming.

### **Cleaning the pump**

The washing machine is fitted with a self-cleaning pump that does not require any maintenance. Small items (such as coins or buttons) may sometimes fall into the protective pre-chamber situated at the base of the pump.

! Make sure that the wash cycle has ended and unplug the appliance.

To access the pre-chamber:

1. remove the covering panel on the front side of the machine by inserting a screwdriver in the centre and sides of the panel and using it as a lever;
2. loosen the drainage pump cover by turning it anti-clockwise: it is normal for some water to leak out;
3. clean the inside thoroughly;
4. screw the cover back on;
5. put the panel back in place, making sure the hooks slot in place before pushing the panel onto the appliance.

### **Checking the water inlet hose**

Check the water inlet hose at least once a year. If it is cracked or broken, it must be replaced: during wash cycles, the high pressure of the water could suddenly split the hose open.

! Never use hoses that have already been used.

**Refer P.7-8 for detailed maintenance instructions.**

## CARE AND MAINTENANCE (CONT.)

For any cleaning and maintenance, switch off and unplug the washing machine.  
Do not use flammable fluids to clean the washing machine.

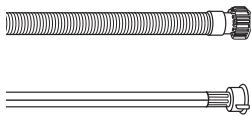
### CLEANING THE OUTSIDE OF THE WASHING MACHINE

Use a soft damp cloth to clean the outer parts of the washing machine.

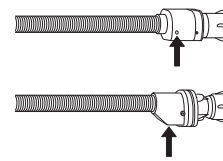
Do not use glass or general purpose cleaners, scouring powder or similar to clean the control panel – these substances might damage the printing.

### CHECKING THE WATER SUPPLY HOSE

Check the inlet hose regularly for brittleness and cracks. If damaged, replace it by a new hose available through our After-Sales Service or your specialist dealer.  
Depending on the hose type:



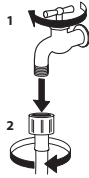
If the inlet hose has a transparent coating, periodically check if the colour intensifies locally. If yes, the hose may have a leak and should be replaced.



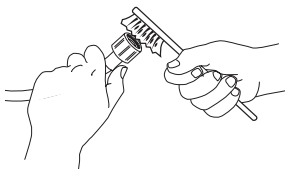
For water stop hoses: check the small safety valve inspection window (see arrow). If it is red, the water stop function was triggered, and the hose must be replaced by a new one. For unscrewing this hose, press the release button (if available) while unscrewing the hose.

### CLEANING THE MESH FILTERS IN THE WATER SUPPLY HOSE

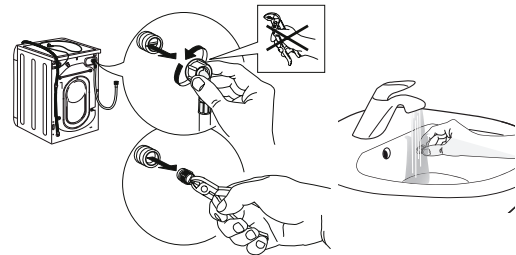
1. Close water tap and unscrew the inlet hose.



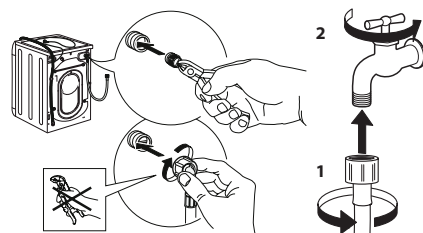
2. Clean the mesh filter at the hose's end carefully with a fine brush.



3. Now unscrew the inlet hose on the back of the washing machine by hand. Pull out the mesh filter from the valve on the back of the washing machine with pliers and carefully clean it.



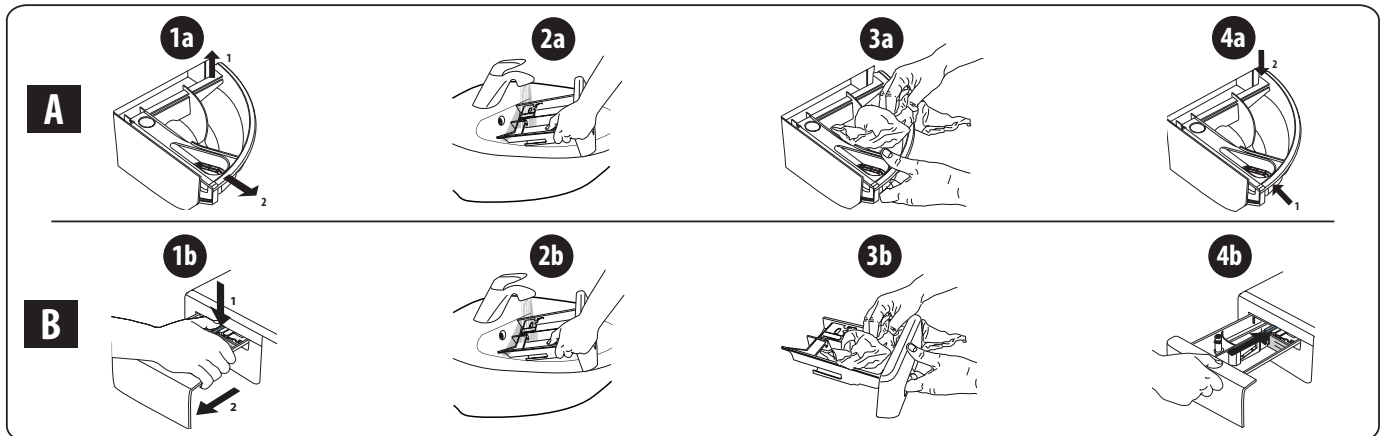
4. Insert the mesh filter again. Connect the inlet hose to water tap and washing machine again. Do not use a tool to connect the inlet hose. Open the water tap and check that all connections are tight.



## CLEANING THE DETERGENT DISPENSER

Remove the dispenser by raising it and pulling it out (see figure).

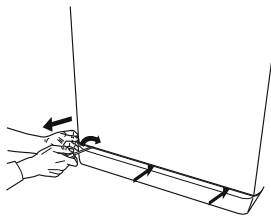
Wash it under running water; this operation should be repeated frequently.



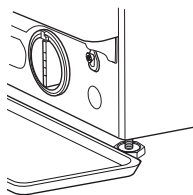
## CLEANING THE WATER FILTER / DRAINING RESIDUAL WATER

**Switch off and unplug the washing machine before cleaning the water filter or draining residual water. If you used a hot wash programme, wait until the water has cooled down before draining any water. Clean the water filter regularly, to avoid that the water cannot drain after the wash due to obstruction of the filter. If the water cannot drain, the display indicates that the water filter may be clogged.**

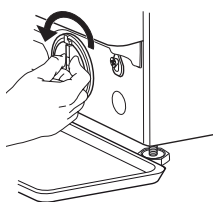
1. Remove the kick panel: Using a screwdriver, do that which is shown in the following figure.
4. Remove filter: Lay a cotton cloth beneath the water filter, which can absorb a small amount of rest water. Then remove the water filter by turning it out anticlockwise.



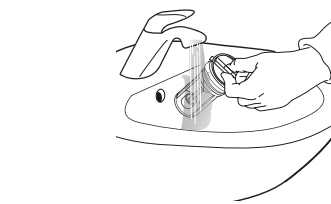
2. Container for the drained water: Place a low and wide container under the water filter in order to collect the residual water.



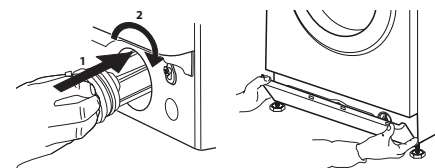
3. Drain the water: Slowly turn the filter counter-clockwise until all the water has come out. Allow the water to flow out without removing the filter. Once the container is full, close the water filter by turning it clockwise. Empty the container. Repeat the procedure until all the water has been drained.



5. Clean the water filter: remove residues in the filter and clean it under running water.






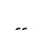
6. Insert the water filter and reinstall the plinth: Reinsert the water filter again by turning it in clockwise direction. Make sure to turn it in as far as it goes; the filter handle must be in vertical position. To test water tightness of the water filter, you can pour about 1 liter of water into the detergent dispenser. Then reinstall the plinth.





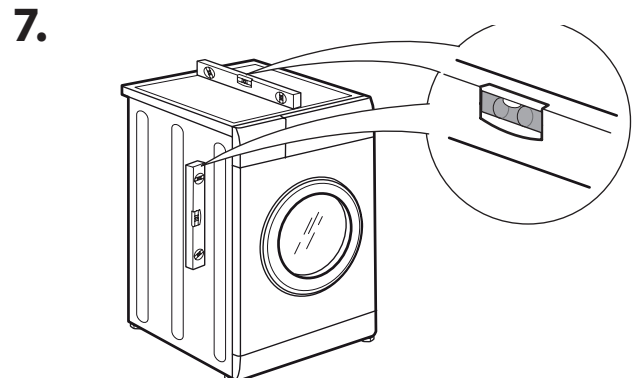
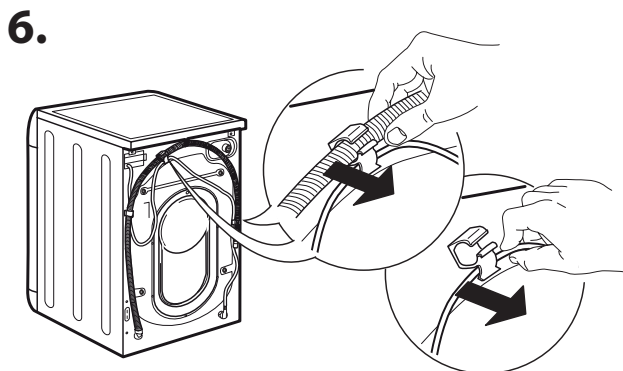
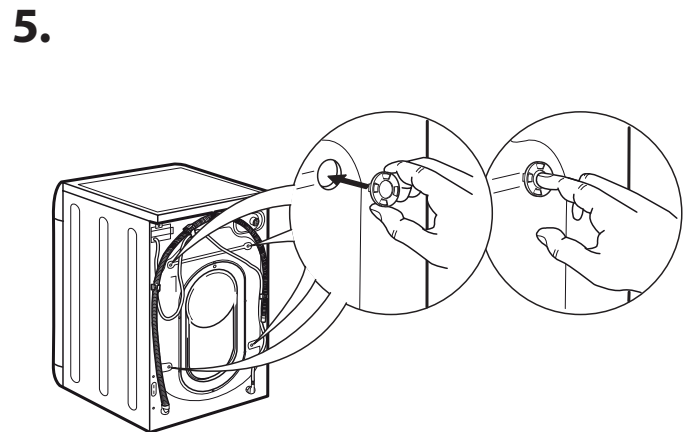
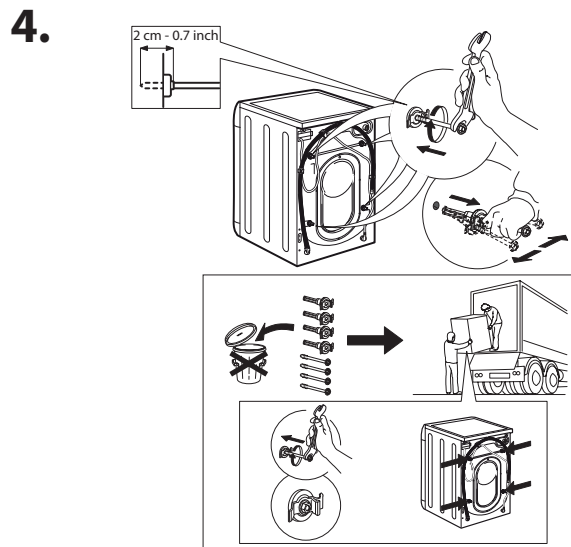
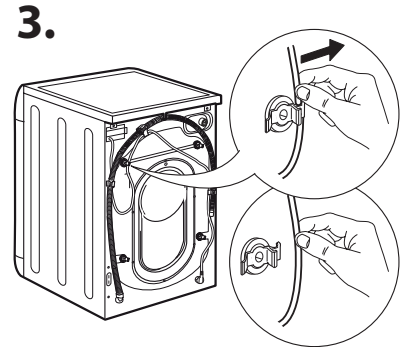
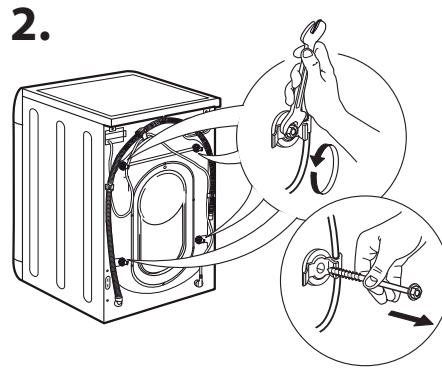
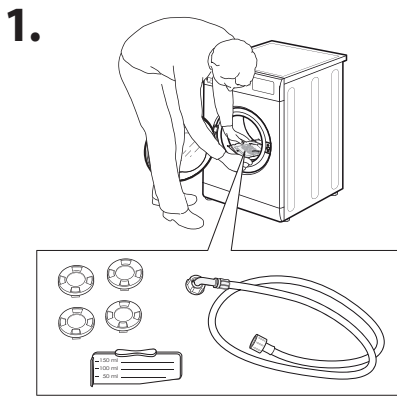
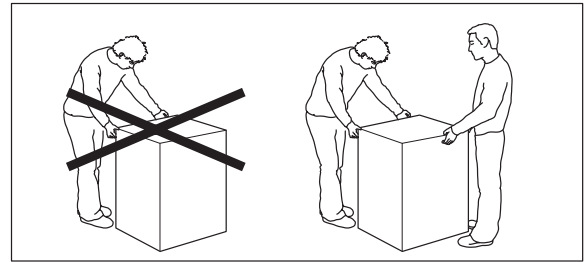
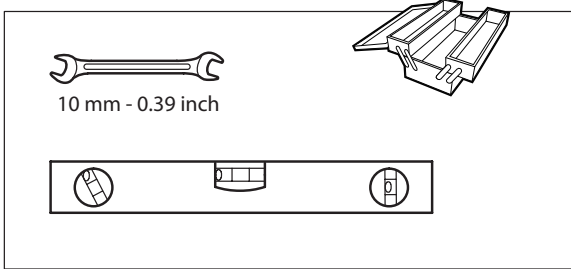
## TROUBLESHOOTING

Your washing machine could occasionally fail to work. Before contacting the Technical Assistance Service, make sure that the problem cannot be easily solved using the following list.

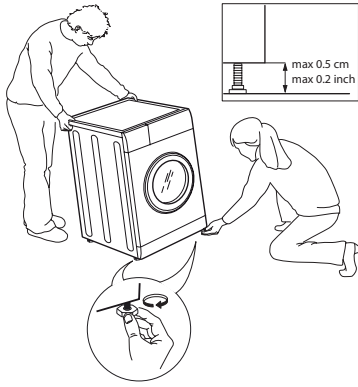
Anomalies	Possible causes / Solution
<b>The washing machine does not start.</b>	The appliance is not plugged into the socket fully, or not enough to make contact.
	There is no power in the house.
<b>The wash cycle does not start.</b>	The washing machine door is not closed properly.
	The ON/OFF  button has not been pressed.
	The START/PAUSE  button has not been pressed.
	The water tap has not been opened.
	A delay has been set for the start time.
<b>The washing machine does not fill with water ("H2O" appears on the display).</b>	The water inlet hose is not connected to the tap.
	The hose is bent.
	The water tap has not been opened.
	There is no water supply in the house.
	The pressure is too low.
<b>The washing machine continuously loads and unloads water.</b>	The START/PAUSE  button has not been pressed.
	The drain hose is not fitted between 65 and 100 cm from the floor.
	The free end of the hose is immersed in water.
	The wall drainage system is not fitted with a breather pipe.  If the problem persists even after these checks, turn off the water tap, switch the appliance off and contact the Technical Assistance Service. If the home is on one of the upper floors of a building, there may be problems relating to back-siphonage, causing the washing machine to fill with water and drain continuously. Special anti-siphon valves are available in shops and help to prevent this inconvenience.
<b>The washing machine does not drain or spin.</b>	The cycle does not include drainage: with certain cycles it must be started manually.
	The drain hose is bent.
	The drainage duct is clogged.
<b>The washing machine vibrates a lot during the spin cycle.</b>	The drum was not unlocked correctly during installation.
	The washing machine is not level.
	The washing machine is tucked between furniture cabinets and the wall.
<b>The washing machine leaks.</b>	The water inlet hose is not screwed on properly.
	The detergent dispenser drawer is obstructed.
	The drain hose is not properly attached.
<b>The "Options" and START/PAUSE  indicator lights flash rapidly and the display visualises an error code (e.g.: F-01, F-...).</b>	Switch off the machine and unplug it, wait for approximately 1 minute and then switch it back on again. If the problem persists, contact the Technical Assistance Service.
<b>There is too much foam.</b>	The detergent is not suitable for machine washing (it should display the text "for washing machines" or "hand and machine wash", or the like).
	Too much detergent was used.

*DEMO MODE: to deactivate this function, switch the washing machine OFF. Then press and hold "Start/Pause"  button, within 5 seconds press also "ON/OFF"  button and hold both buttons for 2 seconds.*

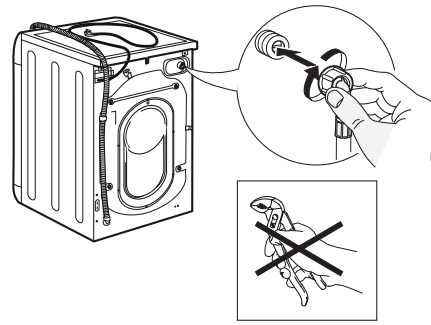
# INSTALLATION GUIDE



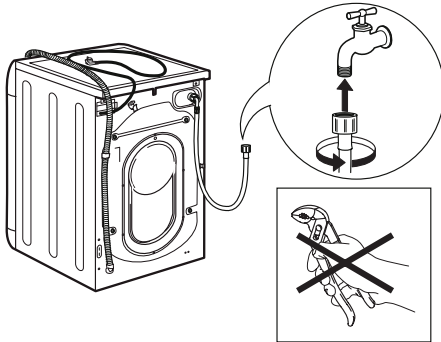
8.



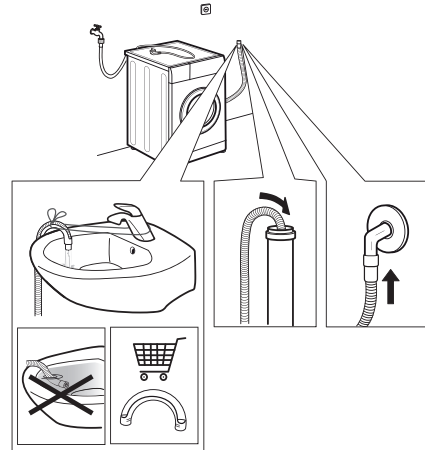
9.



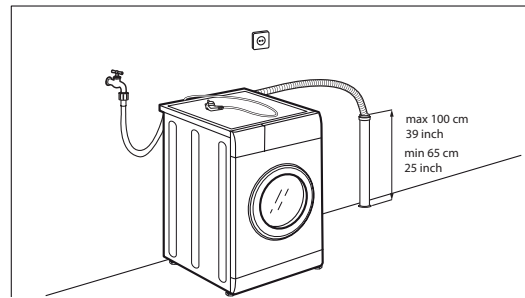
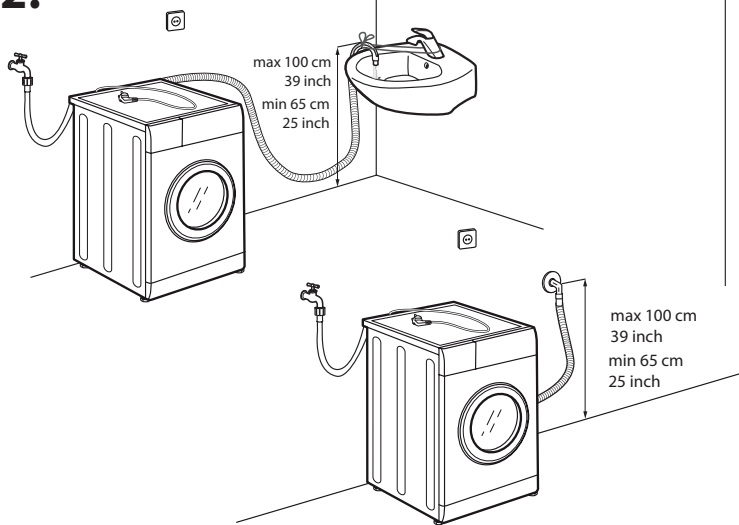
10.



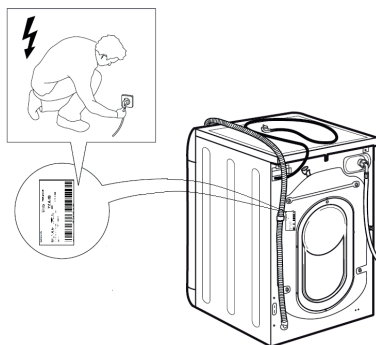
11.



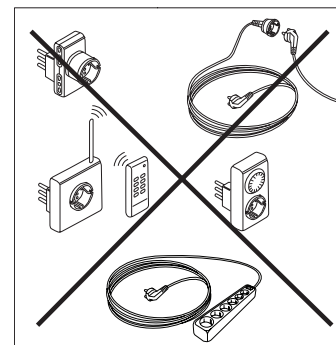
12.



13.



14.



## SAFETY INSTRUCTIONS

Before using the appliance, read these safety instructions. Keep them nearby for future reference. These instructions and the appliance itself provide important safety warnings, to be observed at all times. The manufacturer declines any liability for failure to observe these safety instructions, for inappropriate use of the appliance or incorrect setting of controls.

⚠ Very young children (0-3 years) should be kept away from the appliance. Young children (3-8 years) should be kept away from the appliance unless continuously supervised. Children from 8 years old and above and persons with reduced physical, sensory or mental capabilities or lack of experience and knowledge can use this appliance only if they are supervised or have been given instructions on safe use and understand the hazards involved. Children must not play with the appliance. Cleaning and user maintenance must not be carried out by children without supervision. Never open the door forcibly or use it as a step.

### PERMITTED USE

⚠ **CAUTION:** The appliance is not intended to be operated by means of an external switching device, such as a timer, or separate remote controlled system.

⚠ This appliance is intended to be used in household and similar applications such as: staff kitchen areas in shops, offices and other working environments; farm houses; by clients in hotels, motels, bed & breakfast and other residential environments; areas for communal use in blocks or flats or in laundrettes.

⚠ Do not load the machine above the maximum capacity (kg of dry cloth) indicated in the programme table.

⚠ This appliance is not for professional use. Do not use the appliance outdoors.

⚠ Do not use any solvents (e.g. turpentine, benzene), detergents containing solvents, scouring powder, glass or general purpose cleaners, or flammable fluids; do not machine wash fabrics that have been treated with solvents or flammable liquids.

### INSTALLATION

⚠ The appliance must be handled and installed by two or more persons - risk of injury. Use protective gloves to unpack and install - risk of cuts.

If you want to stack a dryer on top of your washing machine, first contact our After-Sales Service or your specialist dealer to verify whether this is possible. This is only possible if the dryer is attached to the washing machine by means of appropriate stacking kit available through our After-Sales Service or your specialist dealer.

⚠ Move the appliance without lifting it by the worktop or top lid.

## IMPORTANT TO BE READ AND OBSERVE

⚠ Installation, including water supply (if any) and electrical connections and repairs must be carried out by a qualified technician. Do not repair or replace any part of the appliance unless specifically stated in the user manual. Keep children away from the installation site. After unpacking the appliance, make sure that it has not been damaged during transport. In the event of problems, contact the dealer or your nearest After-Sales Service. Once installed, packaging waste (plastic, styrofoam parts etc.) must be stored out of reach of children - risk of suffocation. The appliance must be disconnected from the power supply before any installation operation - risk of electric shock. During installation, make sure the appliance does not damage the power cable - risk of fire or electric shock. Only activate the appliance when the installation has been completed.

⚠ Do not install your appliance where it may be exposed to extreme conditions, such as: poor ventilation, temperatures below 5 °C or above 35 °C.

⚠ When installing the appliance make sure that the four feet are stable and resting on the floor, adjusting them as required, and check that the appliance is perfectly level using a spirit level.

⚠ If the appliance is being installed on wood or "floating" floors (certain parquet and laminate materials), secure a 60 x 60 x 3 cm (at least) sheet of plywood to the floor then place the appliance on top of this.

⚠ Connect the water inlet hose(s) to the water supply in accordance with the regulations of your local water company.

⚠ For cold fill only models: do not connect to the hot water supply.

⚠ For models with hot fill: the hot water inlet temperature must not exceed 60 °C.

⚠ The washing machine is fitted with transport bolts to prevent any possible damage to the interior during transport. Before using the machine, it is imperative that the transport bolts are removed. After their removal, cover the openings with the 4 enclosed plastic caps.

⚠ After installation of the device, wait a few hours before starting it so that it acclimates to the environmental conditions of the room.

⚠ Make sure that the ventilation openings in the base of your washing machine (if available on your model) are not obstructed by a carpet or other material.

⚠ Use only new hoses to connect the appliance to the water supply. The old hose-sets should not be reused.

⚠ The supply water pressure must be in the 0.1-1 Mpa range.

## ELECTRICAL WARNINGS

⚠ It must be possible to disconnect the appliance from the power supply by unplugging it if plug is accessible, or by a multi-pole switch installed upstream of the socket in accordance with the wiring rules and the appliance must be earthed in conformity with national electrical safety standards.

⚠ Do not use extension leads, multiple sockets or adapters. The electrical components must not be accessible to the user after installation. Do not use the appliance when you are wet or barefoot. Do not operate this appliance if it has a damaged power cable or plug, if it is not working properly, or if it has been damaged or dropped.

⚠ If the supply cord is damaged, it must be replaced with an identical one by the manufacturer, its service agent or similarly qualified persons in order to avoid a hazard - risk of electric shock

## CLEANING AND MAINTENANCE

⚠ WARNING: Ensure that the appliance is switched off and disconnected from the power supply before performing any maintenance operation; never use steam cleaning equipment - risk of electric shock.


## DISPOSAL OF PACKAGING MATERIALS

The packaging material is 100% recyclable and is marked with the recycle symbol ♻.

The various parts of the packaging must therefore be disposed of responsibly and in full compliance with local authority regulations governing waste disposal.

## DISPOSAL OF HOUSEHOLD APPLIANCES

This appliance is manufactured with recyclable or reusable materials. Dispose of it in accordance with local waste disposal regulations. For further information on the treatment, recovery and recycling of household electrical appliances, contact your local authority, the collection service for household waste or the store where you purchased the appliance. This appliance is marked in compliance with European Directive 2012/19/EU, Waste Electrical and Electronic Equipment (WEEE). By ensuring this product is disposed of correctly, you will help prevent negative consequences for the environment and human health.

The symbol  on the product or on the accompanying documentation indicates that it should not be treated as domestic waste but must be taken to an appropriate collection center for the recycling of electrical and electronic equipment.

## AFTER-SALES SERVICE

### BEFORE CALLING THE AFTER-SALES SERVICE

1. See if you can solve the problem by yourself with the help of the suggestions given in the TROUBLESHOOTING
2. Switch the appliance off and back on again to see if the fault persists.

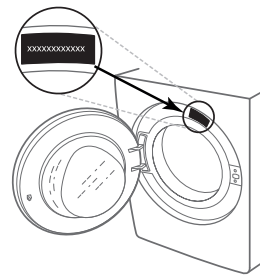
### IF AFTER THE ABOVE CHECKS THE FAULT STILL OCCURS, GET IN TOUCH WITH THE NEAREST AFTER-SALES SERVICE

To receive assistance, call the number shown on the warranty booklet, or follow the instructions provided on:

<https://www.whirlpool.com.hk>

When contacting our Client After sales service, always specify:

- A brief description of the fault
- The type and exact model of the appliance
- The service number (number after the word Service on the rating plate).
- Your address and contact number



**SERVICE** 0000 000 00000  


If any repairs is required, please contact an authorised after-sales service (to guarantee that original spare parts will be used and repairs carried out correctly).

---

# 繁體中文

# 產品安全指引、使用說明及安裝指南

---

 請仔細閱讀此使用說明書

---

索引

<b>使用說明書</b> .....	<b>14</b>
控制面板 .....	15
程序表 .....	15
產品介紹 .....	15
洗衣劑投放盒 .....	15
洗衣程序 .....	16
顯示屏 .....	16
啟動洗衣程序 .....	16
日常使用 .....	16
啟動程序 .....	16
暫停程序 .....	16
打開機門 (如有需要) .....	16
變更正在運行的程序 .....	16
程序結束 .....	17
選項 .....	17
兒童安全鎖 .....	17
提示及應用 .....	17
洗衣機配件 .....	17
搬運和處理 .....	17
清潔和保養 .....	17
<b>故障排除</b> .....	<b>20</b>
<b>安裝指南</b> .....	<b>21</b>
<b>安全說明</b> .....	<b>23</b>
<b>維修資訊</b> .....	<b>23</b>

感謝您購買惠而浦產品



為了獲得更完善的服務，請於  
www.whirlpool.com.hk註冊您的產品。

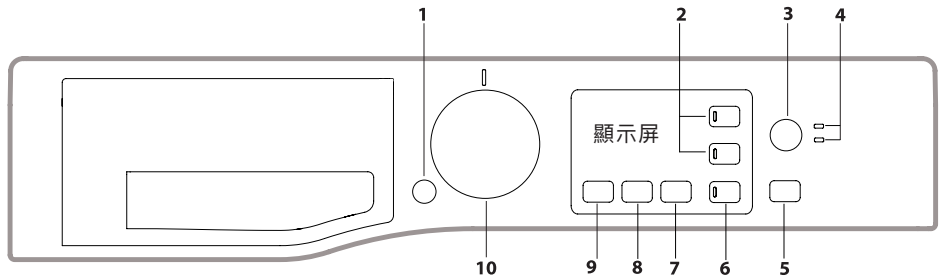


使用洗衣機前請先細閱產品安全指引

在使用洗衣機前，必須卸下運輸螺栓。詳情參閱「安裝指南」頁面。

## 控制面板

1. 電源「開/關」鍵
2. 選項鍵及提示燈
3. 「全面潔淨」鍵
4. 「全面潔淨」提示燈
5. 「啟動/暫停」鍵及提示燈
6. 「兒童安全鎖」鍵
7. 「預校開機時間」鍵
8. 「脫水轉速」鍵
9. 「溫度」鍵
10. 「程序」旋鈕



## 程序表

最大洗衣量: 7公斤						全面潔淨		蒸氣除菌	額外過水	洗衣劑及添加劑		建議洗衣劑類別	
程序	溫度(°C)		最高脫水轉速(轉/分鐘)	最大洗衣量(公斤)	預設洗衣程序時間(小時:分鐘)	加強	柔和			1	2	洗衣粉	洗衣液
	預設	溫度範圍											
1 除漬	40°C	☼ - 40°C	1200	7.0	3:00	-	-	-	✓	●	○	✓	-
2 快速除漬	40°C	☼ - 40°C	1200	3.5	1:00	-	-	-	-	●	○	-	✓
3 棉質	40°C	☼ - 60°C	1200	7.0	3:50	-	-	-	-	●	○	✓	✓
4 合成纖維	40°C	☼ - 60°C	1200	3.5	2:55	✓	✓	✓	✓	●	○	✓	✓
5 快洗30分鐘	30°C	☼ - 30°C	1200	3.0	0:30	-	-	-	-	●	○	-	✓
6 蒸氣清新	-	-	-	1.5	0:20	-	-	-	-	-	-	-	-
7 混合衣物	40°C	☼ - 40°C	1200	7.0	1:30	✓	✓	✓	✓	●	○	-	✓
8 羊毛	40°C	☼ - 40°C	800	1.5	1:25	-	-	-	✓	●	○	-	✓
9 棉質節能洗	60°C	☼ - 60°C	1200	7.0	4:20	-	-	-	-	●	○	✓	✓
10 20°C低溫洗	20°C	☼ - 20°C	1200	7.0	1:50	-	-	-	✓	●	○	-	✓
11 白色衣物	60°C	☼ - 90°C	1200	7.0	2:30	✓	✓	✓	✓	●	○	✓	✓
12 防敏感	60°C	40°C - 60°C	1200	4.0	3:20	-	-	✓	-	●	○	✓	✓
13 絲質	30°C	☼ - 30°C	600	1.0	0:55	-	-	-	✓	●	○	-	✓
14 床單	60°C	☼ - 60°C	1200	7.0	2:00	✓	✓	✓	✓	●	○	✓	✓
過水及脫水	-	-	1200	7.0	0:50	-	-	-	✓	-	○	-	-
脫水及排水	-	-	1200	7.0	0:10	-	-	-	-	-	-	-	-

● 需要使用洗衣劑      ○ 選擇性使用洗衣劑

棉質節能洗 - 符合標準EN 60456的測試程序: 設定此程序為 60°C。

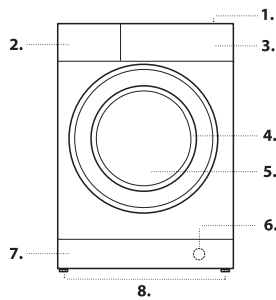
對於測試機構

時間較長的棉質程序: 設定「棉質」程序, 溫度為40°C。

在本機顯示屏上或此說明書中的程序時間是按標準情況計算 (沒有設置任何選項), 實際程序時間會因不同的因素自動調整, 如進水溫度和水壓等。  
洗衣機會根據負載量調整用水量、能源消耗量及程序時間。

## 產品介紹

1. 頂板
2. 洗衣劑投放盒
3. 控制面板
4. 機門門把
5. 機門
6. 排水泵 (底座後方)
7. 底座 (可拆卸)
8. 可調機腳 (2)



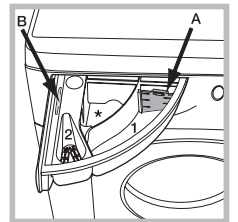
## 洗衣劑投放盒

注意: 洗衣劑/柔順劑不可注入盒子\*。

**盒子1: 主洗程序, 洗衣劑用(洗衣粉或洗衣液)**  
使用洗衣液時, 建議放置分隔器於A格(如有, 附於〈使用說明書〉袋內), 以確保注入適當的劑量。

使用洗衣粉時, 請把分隔器放置於B格。

**盒子2: 衣物柔順劑用(注意: 先稀釋及不應過量)**  
柔順劑只能添加到“MAX”標誌水平。  
! 使用洗衣劑時, 請遵守包裝上的建議使用量。  
! 請勿使用手洗洗衣劑, 避免泡沫過多。



## 洗衣程序

請根據衣物上的護理標籤選擇合適的洗衣程序，標籤上會顯示建議的最高洗滌溫度。



### 除漬

適用於清洗有污漬的顏色衣物，此程序能達到強效去漬的效果。使用此程序時，不要混合不同顏色的衣物。建議使用洗衣粉進行洗滌，對於有頑固污漬的衣物，建議預先以特別添加劑進行處理。

### 快速除漬

此程序能於60分鐘內清洗一般日常污漬，適用於洗滌混合或顏色衣物。

### 棉質

適用於洗滌一般至深層污垢的彈性棉或麻質布料毛巾、內衣褲、桌布等。

### 合成纖維

適用於洗滌人造衣物纖維衣物。對於較難處理的污漬，可調校溫度至60°C，並使用洗衣粉進行洗滌。

### 快洗30分鐘

適用於快速清洗有少量污漬的衣物。此程序不適用於羊毛、絲質及手洗衣物。

### 蒸氣清新

程序完成後，衣物會微濕，建議掛起風乾(1.5公斤，約3件衣物)。此程序使用蒸氣為衣物去除異味，使衣物纖維蓬鬆柔軟，更容易進行熨燙。放入乾燥而乾淨的衣物，並選擇蒸氣清新程序。

！請勿加入洗衣劑及柔順劑。

！不適用於羊毛及絲質衣物。

### 混合衣物

適用於洗滌混合或顏色衣物。

### 羊毛

本機的羊毛程序，已獲得 The Woolmark Company 認可，可洗滌衣物標籤上附有手洗標誌的羊毛纖維衣物。洗衣時應按衣物標籤，以及程序表上所列之指示進行洗滌(M1253)。



### 棉質節能洗

適用於洗滌一般肌膚的棉質衣物。在40°C和60°C水溫下。此程序能導致最佳耗水和耗電量，屬能源標籤的參考程序。

### 20°C低溫洗

以20°C低溫洗滌有少量污漬的棉質衣物。

### 白色衣物

適用於洗滌深層污垢的白色衣物。

### 防敏感

適用於去除主要過敏源，如花粉、蟎、貓狗毛髮等。

### 絲質

適用於洗滌絲織品及細緻衣物。建議使用專門用作洗滌細緻衣物的洗衣劑。

### 床單

專門用於洗滌麻質床單，節省時間和能源。建議使用洗衣粉進行洗滌，並加入衣物柔順劑，以達到最佳效果。

### 過水及脫水

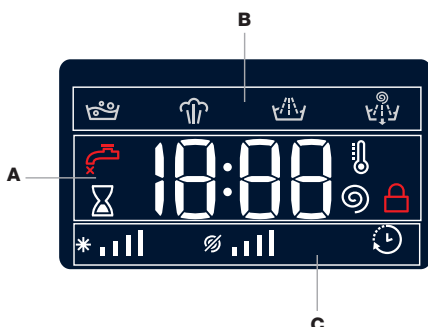
進行過水及脫水程序。

### 脫水及排水

進行脫水及排水程序。可關閉脫水程序以進行免旋排水。

## 顯示屏

於設定程序及操作洗衣機時，顯示屏會提供以下所需資訊：



顯示屏上A部分會顯示所選程序時間，及其剩餘時間(於運行時)。顯示屏會先顯示最長的程序時間，並會自動因應洗衣量及所選設定等因素調節縮短。如已設定預校開機時間，此部分亦會倒數顯示開機之時間。按下相關按鍵調校溫度/脫水轉速，本機會自動顯示所選程序可能的最高溫度和轉速，或最近所使用之數值(如適用)。B部分會顯示當前所選洗衣程序的各個洗衣階段，以及於運行時正在運行至以下哪個階段：

- 👤 洗衣
- 👤 蒸氣
- 👤 過水
- 👤 脫水/排水

C部分會顯示所選程序相應的選項(由左至右:「溫度」、「脫水轉速」、「預校開機時間」)。

「溫度」\* 📊 部分會顯示所選程序可能的最高溫度。

「脫水轉速」🌀 📊 部分會顯示所選程序可能的最高脫水轉速。

當「預校開機時間」指示燈🕒亮起時，所設定之時間將會顯示於顯示屏上。

### 門鎖提示燈

當提示燈亮起時，表示門鎖功能已啟動，機門處於鎖閉狀態。於熄滅後，方可打開機門，以免對機門做成損壞。如需在洗衣程序中開啟機門，按下「啟動/暫停」▶️🕒鍵；當門鎖提示燈🔒熄滅時，便可打開機門。

## 啟動洗衣程序

於完成洗衣機安裝後，在首次洗滌衣物之前，請在沒有衣物的情況下，啟動「自動清潔滾筒」程序，運行一次本機。

## 日常使用

請按照「提示及應用」部分中的建議準備衣物。

- 按下電源「開/關」🔌鍵，「啟動/暫停」提示燈▶️🕒會慢慢閃爍。
- 打開機門，鬆散開衣物並放入滾筒中。注意投入衣物量不要超出程序表中所列的最大洗衣量(見「程序表」部分)。
- 拉出洗滌劑投放盒並加入洗衣劑(及添加劑/柔順劑)在相應的容器隔間內，詳情請參閱「洗衣劑投放盒」部分。
- 關閉機門，關上後，應聽到喀噠一聲。
- 本機會自動顯示所選程序可能的最高溫度和脫水轉速，或最近使用之設定(如適用)。按下📊鍵逐漸降低溫度的設定直到冷洗設定(“OFF”)顯示在顯示屏上。按下🌀鍵逐漸降低脫水轉速的設定直到免除脫水程序(“OFF”)顯示在顯示屏上。再次按下相應按鍵會重新調節至最高溫度和轉速。
- 按下相關按鍵，設定程序選項。

## 啟動程序

- 按下「啟動/暫停」▶️🕒鍵。

機門會鎖上(門鎖指示燈🔒亮起)，滾筒會開始轉動，接著，機門會短暫解鎖(門鎖指示燈🔒熄滅)並重新鎖上。鎖上時會聽到“click”一聲。然後，洗衣機會進水至滾筒並開始洗滌。

## 暫停程序

要暫停正在運行的程序，再次按下「啟動/暫停」▶️🕒鍵，提示燈會閃爍。要從暫停點重新啟動洗衣程序，再次按下「啟動/暫停」▶️🕒鍵。

## 打開機門(如有需要)

洗衣程序運行時，門鎖指示燈🔒會亮起，代表機門處於鎖閉狀態並不能被開啟。要於運行程序期間打開機門並添加/取走衣物，按下「啟動/暫停」▶️🕒鍵，提示燈會閃爍。當門鎖提示燈🔒熄滅時，便可打開機門。完成及關上機門後，再次按「啟動/暫停」▶️🕒以繼續運行程序。



## 變更正在運行的程序

要變更正在運行的程序，按下「啟動/暫停」▶️🕒鍵以暫停洗衣機運行，相應指示燈會閃爍；此時可變更所需設定，然後再次按「啟動/暫停」▶️🕒鍵繼續運行程序。

！如需取消正在運行的程序，按下電源「開/關」🔌鍵直至洗衣機停止運行並關閉。



## 程序結束

程序完成時，顯示器上會顯示END字樣。當門鎖提示燈熄滅時，便可打開機門，取出機內衣物。最後按下電源「開/關」鍵，以關閉洗衣機。如沒有按下電源「開/關」鍵，本機會於約十分鐘後自動關閉。

## 選項

- 如該選項不適用於目前的程序，其提示燈將會閃爍，表示此選項不能被選擇。
- 如所選功能不能與早前已選之另一功能相容，早前已選的功能提示燈將會閃爍；只有最新所選功能會被啟用，而其提示燈亦會亮起。

### 蒸氣除菌


此功能於洗滌期間加入蒸氣，達至99.9%除菌的效果。放入衣物及選擇合適的程序後，按下「蒸氣除菌」鍵啟用選項。

! 蒸氣或會令機門玻璃形成霧氣。

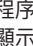
### 額外過水

此功能可加強過水效能，有助避免洗衣劑殘留在衣物上。特別適合洗滌嬰兒和皮膚敏感人士的衣物。


### 預校開機時間

要預校程序開始時間，持續按下「預校開機時間」鍵直至出現所需之開始時間。設定後顯示屏上提示燈便會亮起。如要取消此功能，請再次按下此鍵直至顯示屏顯示“OFF”。

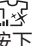
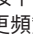
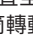
### 溫度

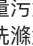
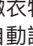
每項洗衣程序均會有預設溫度，按下「溫度」鍵以調校溫度，所選溫度會顯示在顯示屏上。

### 脫水轉速

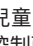
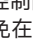
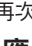
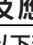
每項洗衣程序均會有預設脫水轉速，按下「脫水轉速」鍵以調校轉速，所選轉速會顯示在顯示屏上。

### 全面潔淨

此功能能根據衣物的髒污程度最佳化洗滌效果。對於深層污垢的衣物，按下鍵直至選擇「加強」模式，透過於初段使用較多的水量和更頻繁的滾筒轉動，達至強效去漬的效果。

對於少量污漬或細緻衣物，按下鍵直至選擇「柔和」模式，滾筒轉動及洗滌過程會自動調節以達至最佳效果。

## 兒童安全鎖

要啟動兒童安全鎖，按下鍵約2秒，直到顯示屏上的指示燈亮起，控制面板上的旋鈕和按鍵即被鎖定，只有「開/關」鍵可如常運作，避免在運行期間不必要的操作，特別是當有兒童在附近時。要解開安全鎖，再次按下鍵約2秒即可。

## 提示及應用

請根據以下建議分類衣物：

衣料類型/衣物護理標籤（棉質、混合纖維、合成纖維、羊毛、手洗衣物）。請確保白色和顏色衣物分開洗滌，簇新的顏色衣物亦需分開清洗。纖細衣物（清洗小件衣物，如尼龍絲襪；或有鈎扣的衣物，如胸罩及有拉鍊的布袋或枕套，請放網袋內進行洗滌）。

清空衣物口袋：

錢幣，別針等小物件會損毀洗衣機及滾筒。放入洗滌前檢查所有衣物口袋及鈕扣。

遵照洗衣劑包裝上的建議使用份量：

有助達至較佳洗衣效果，而過量的洗衣劑會造成太多泡沫及殘留於衣物上。

使用低溫及較長時間程序：

低溫及較長時間的程序能達至較佳的耗水和耗電量。

注意投入衣物量：

注意投入衣物量不要超出程序表中所列的最大洗衣量（見「程序表」部分），以減低耗水和耗電量。

## 洗衣機配件

聯絡我們的售後服務中心，以確定以下配件是否適用於此洗衣機。

### 固定架

固定架可用於配疊乾衣機，使乾衣機放置於本機上方，靈活善用空間。

## 搬運和處理

搬運時，切勿提拉洗衣機的頂板。拔除洗衣機電源插頭及關上水龍頭。檢查並確定機門和洗衣劑投放盒都已正確關閉。先從水龍頭拆除進水管，然後拆除排水管，排出喉管內的所有積水。於運輸過程中，確保妥善包裝好水管，避免做成任何破損。最後重新安裝運輸螺栓以安排搬運本機。到達搬運目的地後，重新按以上步驟安裝本機。有關安裝或拆卸運輸螺栓的詳情，請參閱「安裝指南」頁面。

重要：必須確保安裝好運輸螺栓後，方可搬運本機。

## 清潔和保養



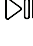
進行任何清潔和保養工作前，必須關閉洗衣機並將電源插頭拔下，請勿使用易燃液體進行洗衣機清潔。建議定期進行以下清潔和保養工作（每年至少四次）。

### 關閉水電供應

每次使用洗衣機後，最好關閉進水管水龍頭，以免使本機水管接頭承受不必要的壓力。進行清潔和保養工作前，必須將電源插頭拔下，以確保安全。

### 清潔機身

如要清潔外殼及橡膠部件，請使用棉布、溫水和肥皂，請勿使用溶劑或剝蝕性物質擦拭機身。本機設有「自動清潔滾筒」程序，進行此程序時，必須將滾筒內所有衣物移走。要加強清潔效果，可酌量加上洗衣劑（份量約是清洗輕微污漬衣物所用劑量之10%），或 Wpro Power Fresh 洗衣機除味片產品。建議運行約40次洗衣程序後，進行一次「自動清潔滾筒」程序。

同時按下鍵及鍵約5秒即可啟動「自動清潔滾筒」程序。此程序進行約70分鐘。如須停止，按下「開始/暫停」鍵。

### 清洗洗滌劑投放盒

拉開並向外推出整個投放盒，把整個容格直接用水沖洗。投放盒應經常清洗。

### 滾筒及機門保養

洗衣後，將機門半開，使滾筒內的水分慢慢揮發，以免洗衣機內部產生異味。

### 清理排水過濾器

排水過濾器用於收集線頭和疏忽遺留在衣物中的小物件，請定期打開過濾器檢查並進行清潔。

! 重要提示：清理排水過濾器前，必須確認本機已經完成洗衣程序，並已拔掉電源插頭。清理阻塞的排水泵：

1. 使用螺絲批移除機身下方擋板。
2. 以逆時針方向擰開並抽出過濾器。打開時通常會有少量餘水溢出，可先在過濾器前方放置毛巾吸水。
3. 清洗過濾器：用水沖洗並除去濾網殘渣。
4. 將過濾器重新裝上並將其完全擰緊。
5. 將擋板放回。

### 檢查進水喉

應每年檢查進水喉一次，如有變脆或爆裂，應立刻更換。洗衣機於運行時的高水壓，容易令有裂痕的水管爆開。

! 注意：切勿使用舊有或曾用過的喉管。

請參閱第18–19頁以取得詳細的清潔和保養工作指引。

# 清潔和保養

執行任何清潔和保養工作之前，請先拔下電源插頭。  
請勿使用易燃液體來清潔洗衣機。

## 清潔洗衣機的外部

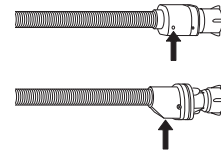
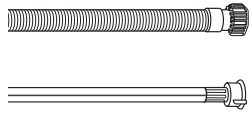
用柔軟濕布清洗洗衣機的外部。

不要使用玻璃或通用的清潔劑，如去污粉或類似的清潔劑來清潔控制面板 – 這些物質可能會損壞印刷效果。

## 檢查進水喉

定期檢查進水喉是否變脆和爆裂。如進水軟管損壞，應聯絡售後服務中心或您的經銷商處購買同類型新水喉進行更換。

根據軟管類型：



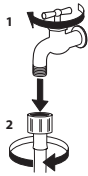
如您的進水喉帶有一層透明管道覆蓋層，應定期檢查透明覆蓋層的顏色；如透明管局部顏色變暗，這就意味著水喉可能有滲漏並應該予以更換。

保險入水喉：應定期檢查安全閥檢視窗(見箭咀)。如呈紅色，說明安全閥已經啟用，此時就必須更換水喉。

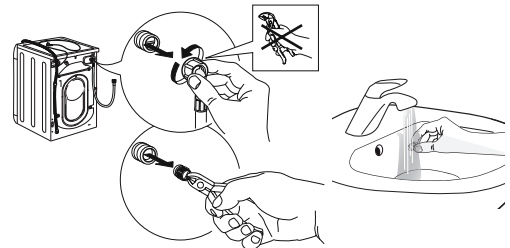
按下釋放按鈕(如有)，並擰開軟管。

## 清潔進水喉內的濾網

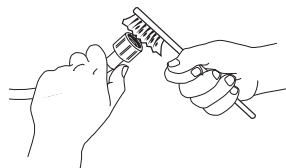
1. 關掉水龍頭並從水龍頭上鬆開進水喉。



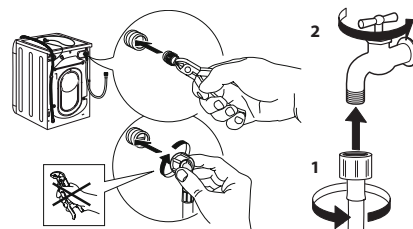
3. 拆下洗衣機後方的進水喉。用通用鉗子將濾網從洗衣機接頭上拆下並清潔。



2. 用刷子仔細清潔在水喉端的濾網。

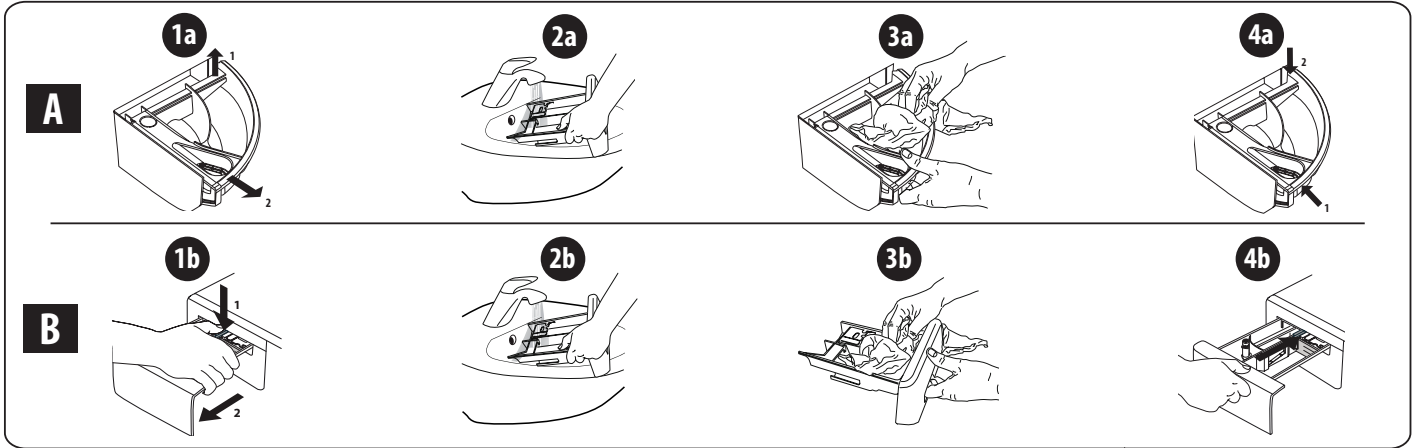


4. 裝回濾網並將進水喉擰回機上。不要使用其他工具來連接進水喉。打開水龍頭並確認各連接位均完全不漏水。



## 清潔洗衣劑盒

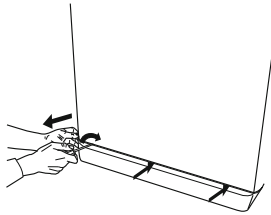
拉開並向外推出整個投放盒（見下圖）。  
把整個容格直接用水沖洗。投放盒應經常清洗。



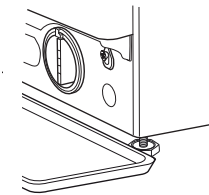
## 清潔濾網 / 排走積水

清潔濾網或排走積水前先讓洗衣機停止運轉並拔除洗衣機電源插頭。如果您曾經使用過熱洗程序，排走洗衣機內的水前，應等待水已冷卻下來。  
請對過濾器進行定期檢查並清潔，以避免由於阻塞過濾器導致水不能排出。如果水不能排出，顯示屏會顯示過濾器可能被堵塞。

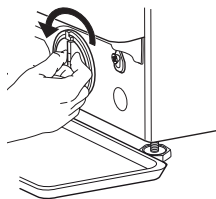
1. 鬆開底座：使用螺絲批，將底座取下如下圖所示。



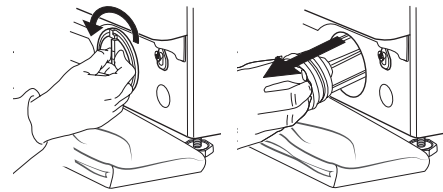
2. 放置一個容器：將寬闊且扁平的容器放在濾網下方收集排水。



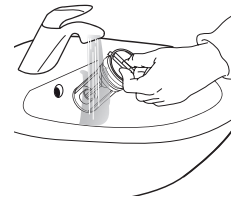
3. 排走積水：逆時針轉動濾網，而不用拆開濾網，並緩慢打開直至排走全部水。當該容器是滿水，將濾網按順時針方向轉緊。清空容器，重複這個步驟，直到水全部流出。



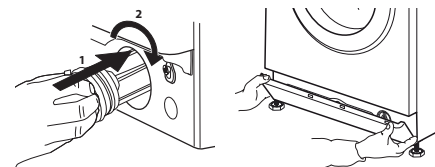
4. 抽出濾網：把棉布放在濾網下方以吸收餘下的少量積水，然後按逆時針方向打開，抽出濾網。



5. 清洗濾網：用水沖洗並除去濾網殘渣。








6. 插入濾網塞並裝回底座：濾網塞回原位，然後按順時針方向轉緊到最深位置。濾網手柄必須處於垂直位置。可以倒入約1升的水於洗衣劑盒測試濾網是否已轉緊。然後裝回底座。



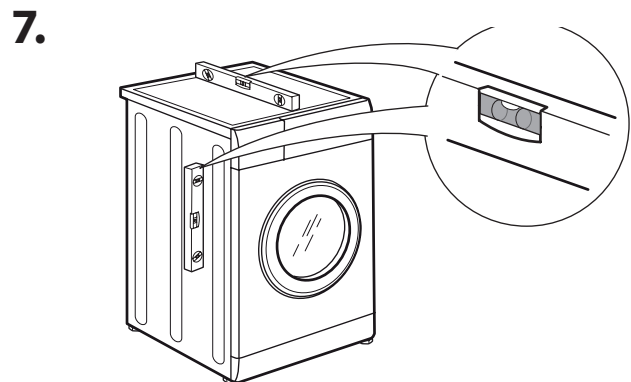
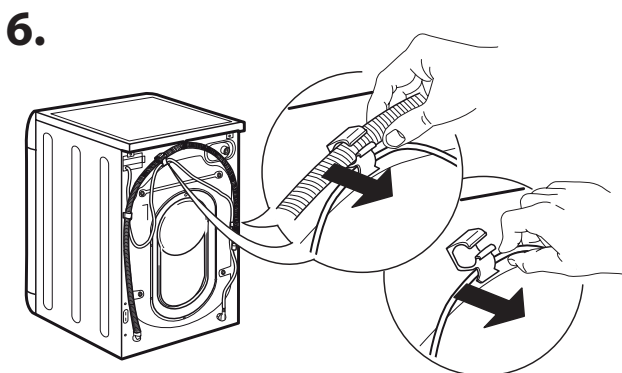
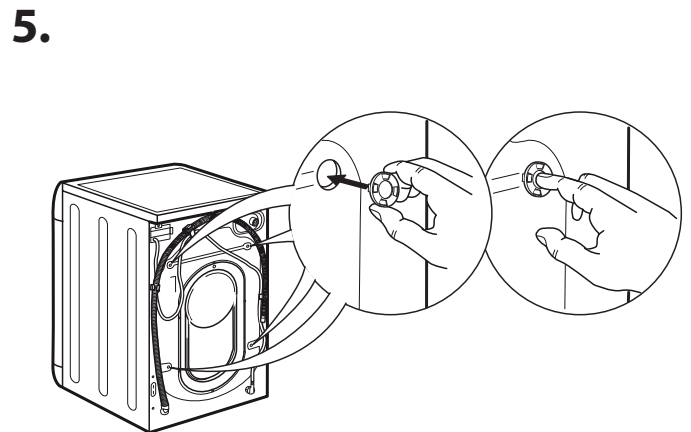
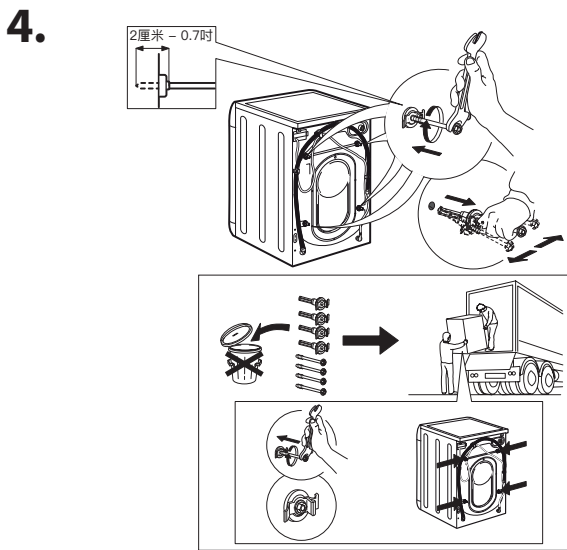
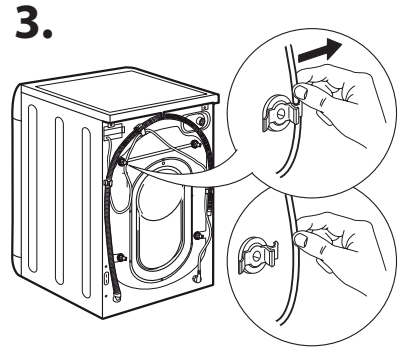
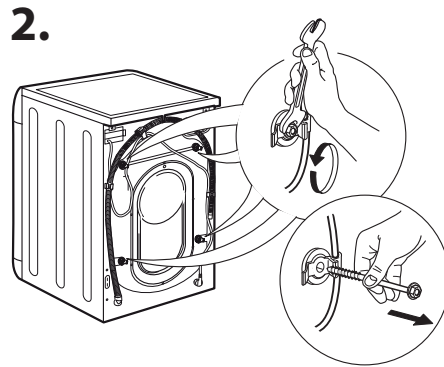
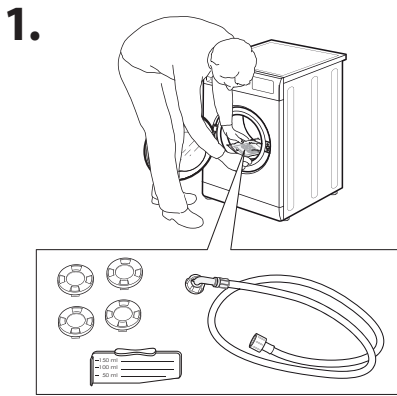
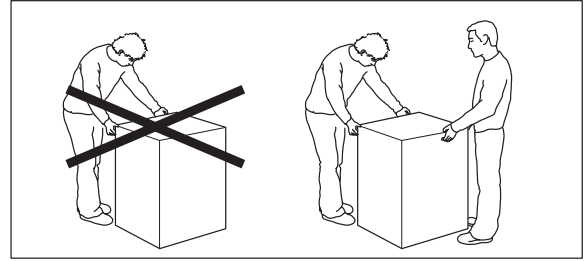
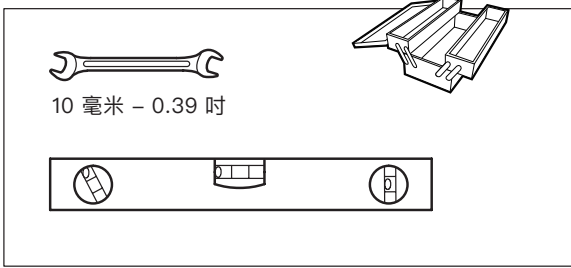
## 故障排除

洗衣機可能因為不同原因無法正常運作。聯絡售後服務中心之前，建議先自行進行檢查，看問題是否可以下列的簡易方法解決。

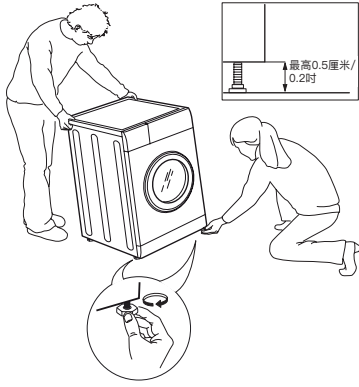
故障	可能成因 / 解決方法
洗衣機無法啟動	<p>插頭沒有正確插在插座內。</p> <p>插座供電異常，或電源保險絲熔斷。</p>
洗衣程序無法啟動	<p>機門未正確關閉。</p> <p>未按下電源「開/關」 鍵。</p> <p>未按下「啟動/暫停」 鍵。</p> <p>水龍頭未打開。</p> <p>已設定預校開機時間。</p>
洗衣機無法進水 (顯示屏上出現 H2O 字樣)	<p>進水管未連接到水龍頭。</p> <p>進水管被壓扁或扭結。</p> <p>水龍頭未打開。</p> <p>自來水未有供應。</p> <p>水壓過低。</p> <p>未按下「啟動/暫停」 鍵。</p>
洗衣機不停入水和排水， 或水積聚滾筒無法排出	<p>排水管未正確安裝於離地面65至100厘米的位置。</p> <p>排水管末端位置低於水面。</p> <p>排水管未正確導入直管內。</p> <p>進行以上檢查後，如故障仍然存在，請關閉水龍頭及電源；並聯絡售後服務中心。如居住較高樓層，操作時洗衣機或會出現虹吸現象，並持續入水和排水。建議加配防回流閘以解決回流問題。</p>
排水或脫水故障	<p>所選程序並不包括排水，某些洗衣程序需要手動以排水。</p> <p>排水喉管被壓扁或扭結。</p> <p>排水管或洗滌盆阻塞。</p>
脫水時機身震動過大	<p>安裝時運輸螺栓和包裝材料未被正確除下。</p> <p>洗衣機機腳不平。</p> <p>機器被夾於家具和牆壁之間，令其無法平衡擺放。</p>
洗衣機 / 洗滌劑投放盒漏水	<p>進水管未正確擰緊。</p> <p>洗滌劑投放盒阻塞，需要清洗。</p> <p>排水管未正確擰緊。</p>
顯示屏上「選項」及「啟動/暫停」  提示燈不斷閃爍，及出現錯誤代碼(如 F-01, F-等)	<p>關閉電源並拔下電源插頭，約一分鐘後重開洗衣機。如果故障仍然存在，請聯絡售後服務中心。</p>
泡沫過多	<p>洗衣劑不適用於洗衣機(參考洗衣劑的註明，檢查洗衣劑上的標籤是「適合機洗」或「適合手洗」，或其他相關註解)。</p> <p>過量的洗衣劑會造成太多泡沫。</p>

要關閉「示範模式」，按以下步驟操作：按下電源「開/關」 關閉洗衣機；然後按住「啟動/暫停」 鍵，於5秒內同時按下電源「開/關」 鍵並維持2秒。

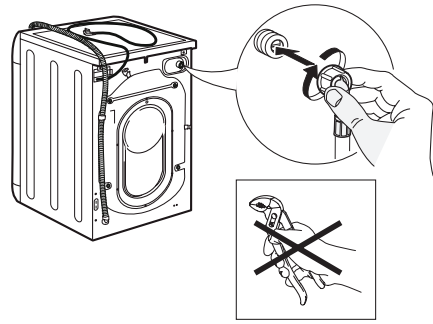
安裝指南



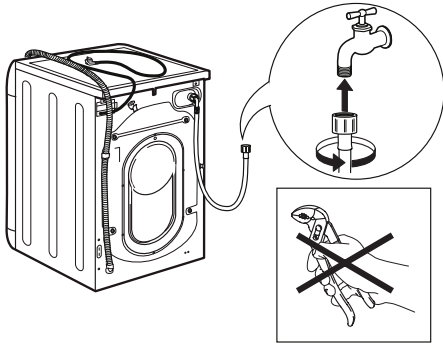
8.



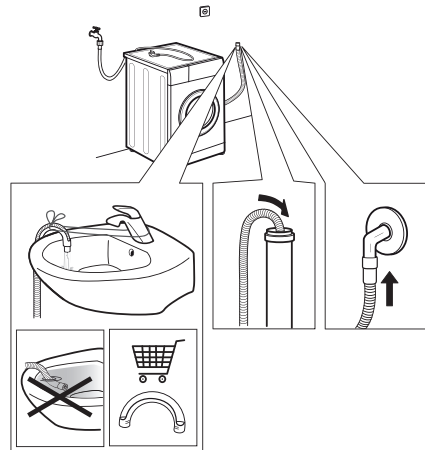
9.



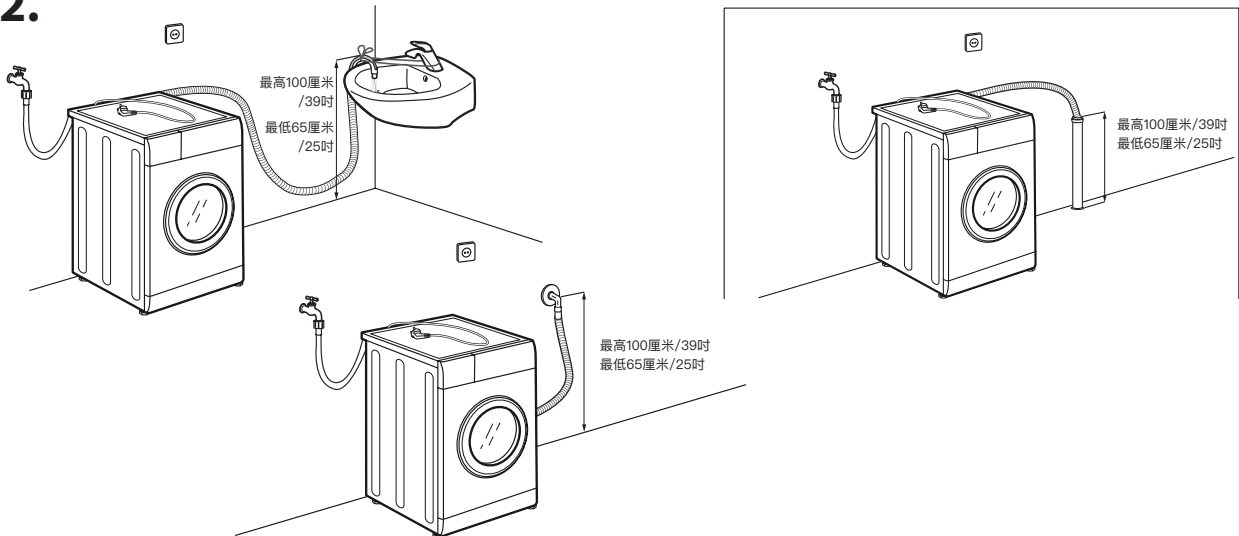
10.



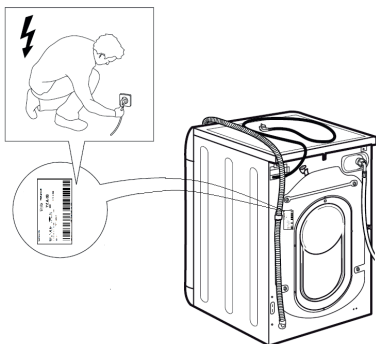
11.



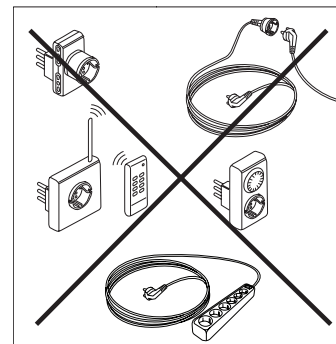
12.



13.



14.



## 安全說明

重要事項：請閱讀並遵循

使用本機前，請仔細閱讀安全指引，並妥善保管本使用說明書以便日後參考。在使用本機時，請務必遵守這些安全指引。如因不正確使用或非本公司授權技術人員安裝而導致的故障，不論是否處於保養期，本公司概不負責。

⚠ 請讓幼童 (0-3歲) 遠離本機。除非得到持續監視，否則應讓兒童 (3-8歲) 遠離本機。8歲以上之兒童，患有身體、感官或精神障礙的人士，以及經驗知識不足的人士，需接受相關安全指導或監督，方可操作本機。兒童不可胡亂玩弄本機。未經指導，兒童不可進行本機的清潔及保養工作。請勿強行開啟或踩踏機門。

### 使用

⚠ 注意：本機不可搭配外接開關裝置如計時器或獨立遙控系統使用。

⚠ 本機僅可用於一般住宅及以下地點：商店及辦公室的員工廚房區、飯店、旅館、民宿及其他居住環境。

⚠ 投入衣物量不應超出程序表中所列的最大洗衣量 (見「程序表」頁面，衣物重量為乾衣狀態下的重量)。

⚠ 本機並非供專業用途使用。請勿在戶外使用本機。

⚠ 請勿使用任何溶劑 (如松節油、苯)、含有溶劑之洗滌劑、去污粉、玻璃用、一般用清潔劑或易燃性液體進行洗滌；請勿以本機洗滌用易燃溶劑 (如三氯乙烯) 清洗過的衣物。

### 安裝

⚠ 若要搬動本機，必須找兩至三人一同小心搬動，切勿單獨搬動。在開箱與安裝時請穿戴保護手套，避免割傷。

⚠ 若要於本機上疊放乾衣機，請先與我們的售後服務中心或零售商聯絡，確認是否可行。您必須使用專用的固定架才能疊放乾衣機至本機上。

⚠ 移動本機時請不要以握住頂部或上蓋的方式將其抬起。

⚠ 所有供水裝置 (如有) 及電源連接等安裝或維修工作，均須由合資格的技術人員進行。切勿自行維修或更換本機零件。請讓兒童遠離安裝地點。卸下包裝後，請確保本機在運輸過程中沒有損壞。如果已損壞，請與零售商聯繫，不要繼續進行安裝。請將包裝材料 (塑料袋、聚酯泡沫、釘子等) 置於兒童不能接觸的地方，以免發生意外。進行安裝前，請勿連接電源，以避免觸電風險。在安裝過程中，請確保電線沒有做成損壞，以避免起火或觸電風險。請在完成安裝後，方啟動及使用本機。

⚠ 請勿將本機安裝在可能暴露於以下極端條件的位置，如：通風不良的地方，溫度低於5°C或高於35°C的環境。

⚠ 將本機安裝在平坦堅固的地板上，若地板並非處於水平狀態，通過左右旋轉調節機腳，使本機水平放置。可使用水平儀檢查本機是否水平放置。

⚠ 若將本機安裝在木或「夾層」地板 (嵌木或層壓材質) 上，請先在地板上放上一塊最少 60 x 60 x 3 厘米的膠合板，然後再放置本機。

⚠ 請依照本地安全標準正確連接進水管線。

⚠ 請勿將只有冷水管線的機種連接熱水源。

⚠ 連接熱水進水管之水溫不可超過60°C。

⚠ 本機裝有可避免在運送時造成內部損壞的運輸螺栓。在安裝完成及使用本機前，請先將運輸螺栓拆除，然後使用提供的塑膠蓋，以密封螺絲釘孔。

⚠ 安裝好本機後，請等待一段時間後始啟動使用，以令本機適應房間的環境條件。

⚠ 請不要讓本機底部的通風口被地毯或其他東西堵住。如要將本機放在地毯上，請調整機腳，以便在本機下方留出足夠的通風空間。

⚠ 請使用跟機配備的全新喉管連接水源，切勿使用舊有或曾用過的喉管。

⚠ 供水壓力為0.1-1 Mpa。

### 電氣警告

⚠ 本機的電源插座位置，應置於容易接觸到的地方，令本機可以透過拔出插頭或關閉電箱中斷電源。

本機必須接上地線，及符合本地的電器安全標準法。

⚠ 切勿以拖板或萬能插頭連接本機。在安裝後，使用者不得接觸電線或電器組件。赤腳或手腳未乾時，不可觸碰本機。若電線或插頭已損壞、無法正常運作，或曾掉落過，均請不要繼續使用本機。

⚠ 若電線損壞，請聯絡合資格的電器維修人員進行更換。

### 清潔和保養

⚠ 警告：執行任何維修或清潔操作之前，請先關閉及拔下電源插頭。切勿使用蒸氣清洗本產品。


### 廢棄包裝材料

包裝材料均為100%可回收並帶有回收標誌。

請將可循環再用的物料，放置適當的回收中心，以便循環再用。

### 廢棄家用電器

本機以可回收或再利用之材料製成。請依照當地廢棄物處理規定處置。如需取得進一步有關處理及回收本機之資訊，請與您的家用廢棄物回收商及零售商聯繫。本機依照有關廢棄電器和電子設備 (WEEE) 的歐盟標準 2012/19/EU 標示。請確保以正確的方式廢棄本產品，避免因不當的廢棄處理方式而對環境和人體健康造成潛在的負面影響。

本機標有  符號，表示此機不能作為一般家庭廢品處理，該產品必須遵照本地的廢物處置法規進行棄置或回收。您應將它交給回收電器和電子設備的適用收集點。

## 維修資訊

### 聯絡售後服務中心前：

1. 請先參閱「故障排除」頁面以嘗試解決問題。
2. 重新啟動洗衣機，檢查洗衣機是否仍舊無法正常運作。

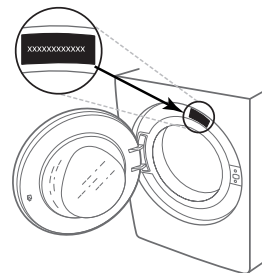
### 若洗衣機仍舊無法正常運作：

請致電保用證上顯示的號碼，或按照以下網址上的指引：

<https://www.whirlpool.com.hk>

當致電我們時，請提供以下資訊：

- 簡單的故障說明
- 洗衣機型號及機身號碼 (參閱機門內的銘牌)
- 您的完整地址和電話號碼



**SERVICE** 0000 000 00000



對於任何維修，使用我們授權的售後服務中心，以確保適當的維修和使用原廠零配件。

## Register your product online

### 網上登記新產品保養

Save the planet and register your product warranty online!  
Enjoy extra 1-month free warranty upon online registration.

「惠」環保出力，減少用紙！於網上登記產品更可獲額外多一個月保養。



<https://rebrand.ly/WPwarranty>

Whirlpool® Registered trademark/TM Trademark of Whirlpool group of companies

All rights reserved - <http://www.whirlpool.com.hk>

註冊商標/惠而浦集團的TM商標

版權所有 翻印必究 - <http://www.whirlpool.com.hk>

