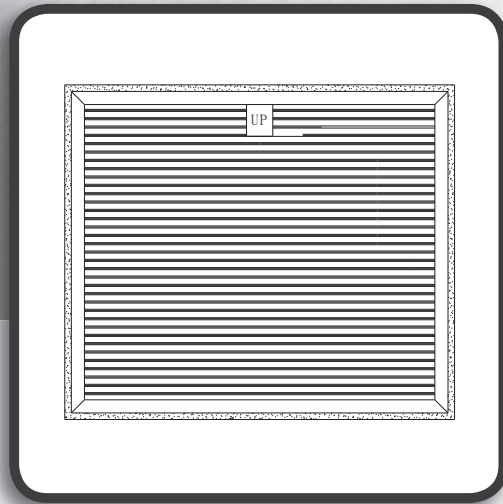


Whirlpool



Use & Care and Installation Guide 使用說明及安裝指南

Model 產品型號 : ADS003



www.whirlpool.com.hk

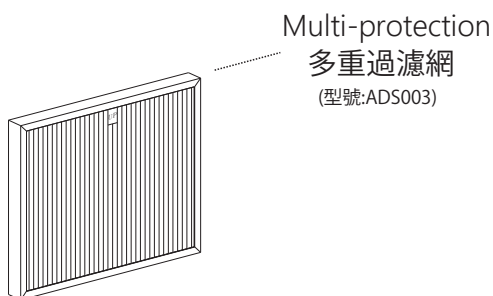
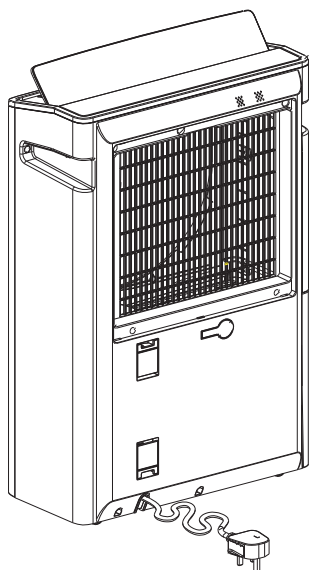
產品概述

尊敬的客戶：

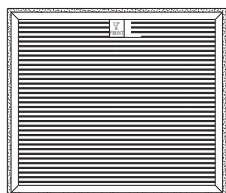
感謝您購買適用於惠而浦抽濕機的過濾網，我們將竭誠為您提供無憂服務，方便您的居家生活。請仔細閱讀本使用說明書，妥善保管，以備日後查閱。因公司產品不斷改進，如有更改，恕不另行通知。

適用的抽濕機型號：

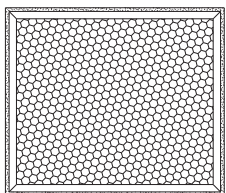
DS202HE/DS202HG/DS242HE/DS242HG



過濾網概述：



正面 (HEPA
及高效抗菌塗層)



背面 (活性碳)

過濾網	Multi-protection 多重過濾網
HEPA過濾網	HEPA高效過濾網能有效去除空氣中塵粒、花粉及PM2.5懸浮粒子，使空氣更清新潔淨。
高效抗菌塗層	高效抗菌塗層能抵抗肺炎桿菌甲型流感H1N1、流感H3N2、腸道病毒EV71等病毒。
活性炭層 (Active Cabon)	活性炭層去除異味如煙、寵物味等，亦可有效去除甲醛等各種有害氣體。

使用準備

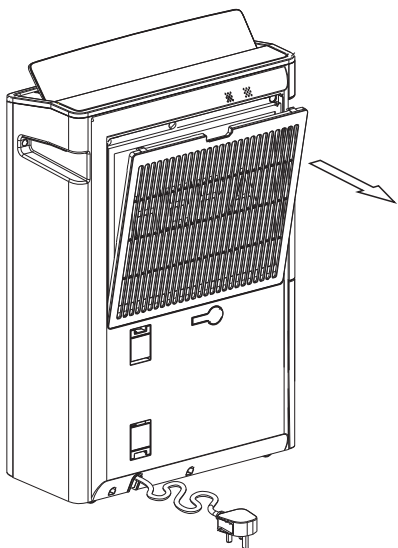
拆除包裝



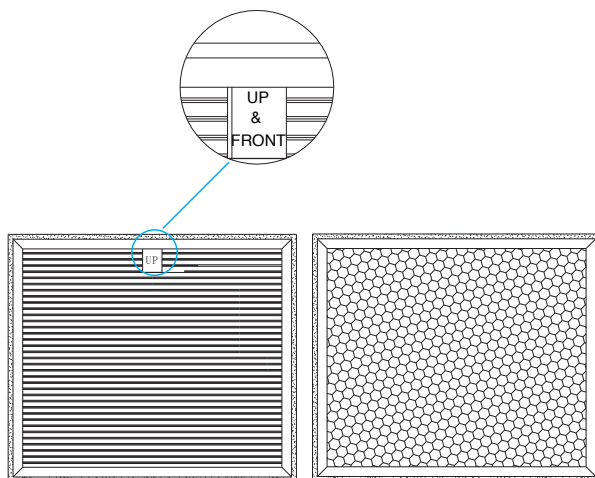
警告

- 拆除所有包裝物料。包括紙箱，泡沫塑料，標籤必須拆除。
- 使用前，請先拆除過濾網的膠袋包裝，以使主機正常運作。
- 包裝物料及塑膠袋可導致窒息，必須讓兒童遠離包裝物料

安裝Multi-protection多重過濾網



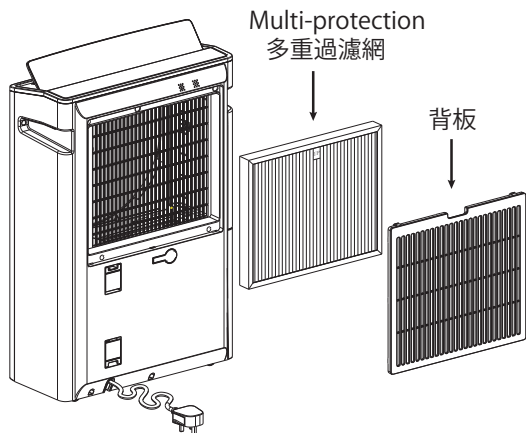
1. 拆下機身後的背蓋。



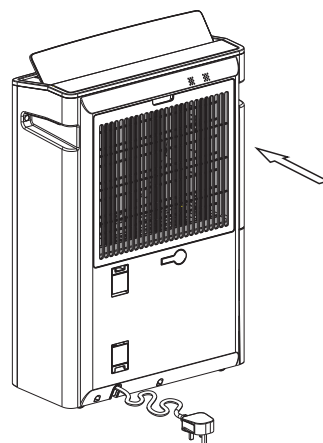
正面 (HEPA)

背面 (活性炭)

2. 將Multi-protection多重過濾網從膠袋中取出 (UP&FRONT 標誌為正面及向上)



3. 按照上圖左方安裝多重過濾網 ("UP&FRONT" 標誌必須向外。)



4. 重新裝上背蓋。

保養及維修



- Multi-protection 多重過濾網：切勿用清水洗淨。使用吸塵機輕輕地吸去過濾網上的灰塵，若吸力過大（特別是活性炭的一面）可能會導致過濾網損壞。
- Multi-protection 多重過濾網，建議每 5 年更換一次。若使用環境較為多塵或有於室內吸煙，這會縮 Multi-protection。

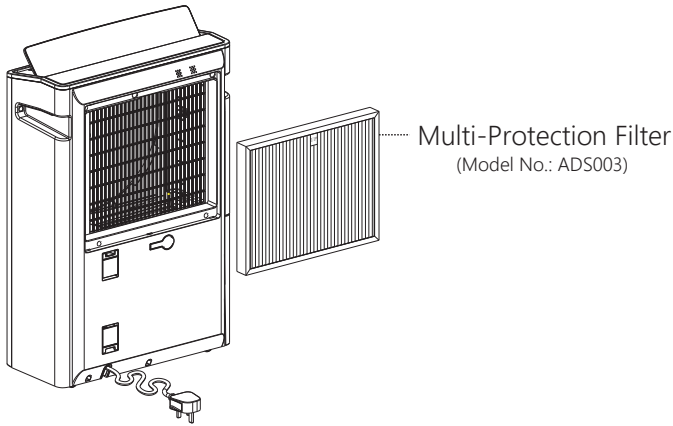
Product Overview

Dear Customer,

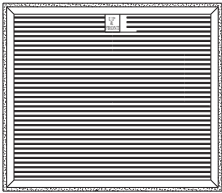
Thank you for purchasing the filter which is applicable to our Whirlpool dehumidifier. Before using it, we recommend that you read through these instructions carefully and retain for future reference. Design and specification may change due to product development, no prior notice will be given.

Applicable Dehumidifier Models:

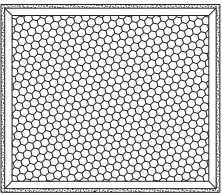
DS202HE / DS202HG / DS242HE / DS242HG



Filter Description:



Front (HEPA & Multi-protection Coating)



Back
(Active Carbon)

Filter	Multi-protection Filter
HEPA Fliter	It can filtrate dust, pollen and small contaminants such as PM2.5 in the air. It can also filtrate 0.26um particles.
Multi-protection Coating	This coating can against different virus such as H1N1, H3N2, EV71, etc.
Active Cabon	It comes with a deodorizing function to remove odor such as cigarette, pet, etc.

Before Use

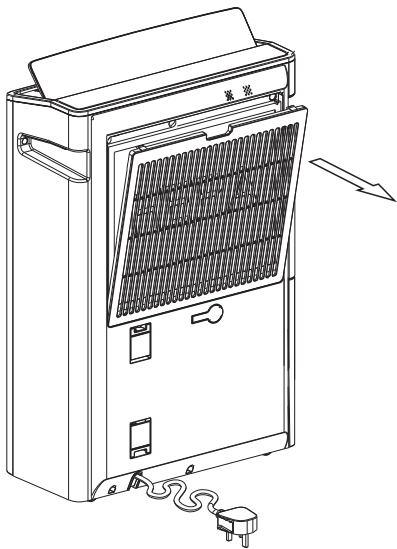
Unpacking



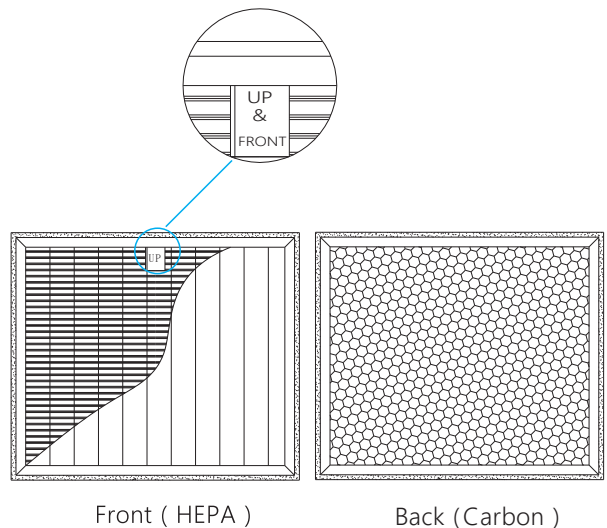
WARNING

- Unpack all the packaging materials, including carton box, plastic bag, stickers, etc..
- Remove the plastic bag of filter before operating the unit.
- Keep children away from the packaging since the folded packing and plastic bag may cause suffocation.

Installing Multi-protection Filter



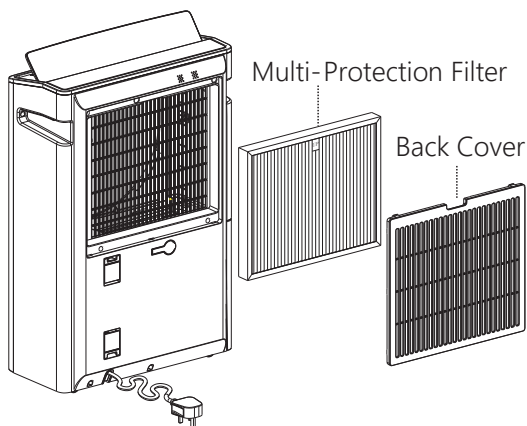
1. Remove the back cover.



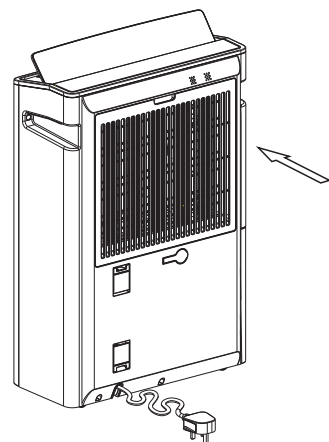
Front (HEPA)

Back (Carbon)

2. Remove the plastic bag of filter (The side with "UP & FRONT" should be placed outward).



3. Install the Multi-Protection filter. (The side with "UP & FRONT" should be placed outward).



4. Return the back cover.

Care and Maintenance



WARNING

- Multi-protection filter: Never wash with water. Vacuum it very gently and it may be damaged if too much force was applied (especially the side with Active Carbon).
- For Multi-protection filter, it is suggested to replace a new one every 5 years but it depends on the environment. The life of Multi-protection filter will be shorten if the room always occupied with cigarette smoke or dusty air,etc..

Whirlpool® Registered trademark/TM Trademark of Whirlpool group of companies

All rights reserved - <http://www.whirlpool.com.hk>

註冊商標/惠而浦集團的TM商標

版權所有 翻印必究 - <http://www.whirlpool.com.hk>



Whirlpool