

AKR473/IX

GB User and maintenance manual

IMPORTANT INSTRUCTIONS FOR SAFETY

YOUR SAFETY AND THAT OF OTHERS IS HIGHLY IMPORTANT.

This manual and the appliance itself provide important safety warnings, to be read and observed at all times.


 This is the attention symbol, pertaining to safety, which alerts users to potential risks to themselves and others.

All safety warnings are preceded by the attention symbol and the following terms:

 **DANGER:** indicates a hazardous situation which, if not avoided, will cause serious injury.

 **WARNING:** indicates a hazardous situation which, if not avoided, could cause serious injury.

All safety warnings specify the potential danger/warning to which they refer and indicate how to reduce the risk of injury, damage and electrical shock resulting from incorrect use of the appliance. Comply with the following instructions:

- Installation or maintenance must be carried out by a specialized technician, in compliance with the manufacturer's instructions and local safety regulations. Do not repair or replace any part of the appliance unless specifically requested in the user manual.
- The appliance must be disconnected from the power supply before carrying out any installation work.
- Earthing of the appliance is compulsory. (Not necessary for class II hoods identified by the  symbol on the specifications label).
- The power supply cable must be long enough to permit connecting the appliance to the mains socket outlet.
- Do not pull the power supply cable in order to unplug the appliance.
- The electrical components must no longer be accessible to the user after installation.
- Do not touch the appliance with any wet part of the body and do not operate it when barefoot.
- This appliance may be used by children older than 8 years of age and by persons with reduced physical, sensory or mental capacities or with inadequate experience and knowledge only if they are supervised or if they have been taught how to use the appliance in conditions of safety and if they are aware of the dangers involved. Children must not play with the appliance. Cleaning and maintenance must not be carried out by children, unless they are supervised by adults.
- Do not repair or replace any part of the appliance unless specifically indicated in the manual. Defective parts must be replaced using genuine parts. All other maintenance services must be carried out by a specialized technician.
- Children must be supervised to ensure they do not play with the appliance.
- When drilling through a wall or the ceiling, pay attention not to damage electric connections and/or pipes.
- The ventilation ducts must always discharge to the outside.
- Exhaust air must not be vented through a flue used for removal of fumes produced by appliances burning gas or other fuels, but must have a separate outlet. All national regulations governing extraction of fumes must be observed.
- If the hood is used together with other appliances operating on gas or other fuels, the negative pressure in the room must not exceed 4 Pa (4 x 10⁻⁵ bar). For this reason, make sure the room is adequately ventilated.
- The Manufacturer declines any liability for improper use or incorrect setting of the controls.
- Regular cleaning and maintenance is essential to correct functioning and good performance of the appliance. Frequently clean all encrustations from dirty surfaces to prevent the accumulation of grease. Regularly clean or replace the filters.
- Failure to observe the instructions for cleaning the hood and replacing the filters may result in a fire.
- The fume extractor hood must never be opened without the grease filters installed and it should be kept under constant supervision.
- Gas appliances must be used under the extractor hood only with pans resting.
- When using more than three gas cooking points, the hood should be operating at power level 2 or greater. This will eliminate heat congestion in the appliance.
- Before touching the bulbs, first ensure that they are cold.
- Do not use or leave the hood without its lamps correctly installed - risk of electric shock.
- Wear work gloves for all installation and maintenance operations.
- The product is not suitable for outdoor use.
- When the hob is in use, accessible parts of the hood may become hot.

Scrapping of household appliances

- This appliance is manufactured with recyclable or reusable materials. Dispose of it in accordance with local waste disposal regulations. Before disposing of it, make it unusable by cutting off its power supply cable.
- For further information on the treatment, recovery and recycling of household appliances, contact your competent local authority, the collection service for household waste or the shop where you purchased the appliance.

KEEP THESE INSTRUCTIONS

INSTALLATION

After unpacking the appliance, check for any damage caused during transport. In case of problems, contact the dealer or the After-Sales Service. To avoid any damage, it is advisable to only remove the appliance from the polystyrene base just before installation.

PREPARATION FOR INSTALLATION

WARNING:

this appliance is heavy; the hood should only be lifted and installed by two or more people.

The minimum distance between the cooking pan support on top of the cooker and the bottom of the hood must not be less than 50 cm for electric cookers and 65 cm for gas or mixed cookers.

Before installation also check the minimum distances stated in the manual of the cooker.

If the installation instructions for the cooker specify a greater distance between cooker and hood, this distance must be observed.

ELECTRICAL CONNECTIONS

Make sure the power voltage specified on the appliance rating plate is the same as the mains voltage.

This information may be found on the inside of the hood, under the grease filter.

Power cable replacement (type H05 VV-F 3 x 0.75 mm²) must be carried out by a qualified electrician. Contact an authorized service centre.

If the hood is fitted with an electric plug, connect the plug to a socket complying with current regulations, located in an accessible place. If no plug is fitted (direct wiring to the mains), or if the socket is not located in an accessible place, install a standardized double pole power switch that will enable complete isolation from the mains in case of category III overvoltage conditions, in accordance with wiring rules.

GENERAL RECOMMENDATIONS

Before use

Remove cardboard protection pieces, transparent film and adhesive labels from accessories.

Make sure the appliance has not been damaged during transport.


During use

Do not place weights on the appliance, as they could damage it.


Do not expose the appliance to atmospheric agents.

SAFEGUARDING THE ENVIRONMENT

Disposal of packing

The packing material is 100% recyclable and is marked with the recycle symbol . The various parts of the packing must be disposed of responsibly and in full compliance with local authority regulations governing waste disposal.

Disposal of the appliance

- This appliance is marked in compliance with European Directive 2002/96/EC on Waste Electrical and Electronic Equipment (WEEE).
- By ensuring that this appliance is disposed of correctly, you can help prevent potentially damaging consequences for the environment and health.
- The  symbol on the product or on the accompanying documentation indicates that it should not be treated as domestic waste but must be taken to an appropriate collection centre for the recycling of electrical and electronic equipment.

TROUBLESHOOTING GUIDE

The appliance does not work:

- Check the domestic power supply and ensure the appliance is connected to the mains properly.
- Switch the hood off and then on again to see if the problem has been resolved.

The hood is not extracting satisfactorily:

- Check the extraction speed is set to the desired level;
- Check the filters are clean;
- Check the air vents are not blocked;

The light does not work:

- Check to see if the lamp needs replacing;
- Check to see if the lamp has been fitted properly;

AFTER-SALES SERVICE

Before calling the After-sales Service:

1. See if you can solve the problem yourself with the help of the "Troubleshooting guide".
2. Switch the hood off and then on again to see if the problem has been resolved.

If, after the above checks, the problem persists, contact your nearest After-sales Service.

Always provide:

- a brief description of the problem;
- the type and specific model of the appliance;
- the Service number (this is the number which follows the word SERVICE on the dataplate), inside the appliance. The Service number is also printed on the warranty booklet;
- your full address;
- your telephone number;

SERVICE 0000 000 00000



If any repairs are needed, contact an authorized **Service Centre** (to ensure that only original spare parts are used and that repairs are made correctly).

CLEANING

WARNING:

- Do not use steam cleaners.
- Disconnect the appliance from the power supply.

IMPORTANT: Do not use corrosive or abrasive detergents. If any of these products accidentally comes into contact with the appliance, clean it immediately with a damp cloth.

- Clean the surfaces with a damp cloth. If very dirty, add a few drops of washing up detergent to the water. Dry with a dry cloth.

IMPORTANT: Do not use abrasive sponges or metallic scrapers or scouring pads. Their use could eventually ruin the enamelled surfaces.

- Use specific detergents to clean the appliance and follow the manufacturer's instructions

IMPORTANT: Clean the filters at least once a month to remove built-up oil and grease.

MAINTENANCE

WARNING:

- use protective gloves.
- disconnect the appliance from the power supply.

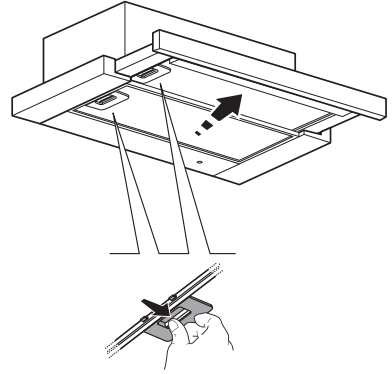
GREASE FILTERS

The metal grease filter has an unlimited life and should be cleaned once a month by hand or in a dishwasher at low temperature and with a short cycle. Cleaning in a dishwasher may cause discoloring of the grease filter, but its filtering efficiency is unaffected.

Pull out the steam deflector.

Pull out the handle to remove the filter.

Wash the filter and leave it to dry, proceeding in reverse order to refit.



REPLACING LAMPS

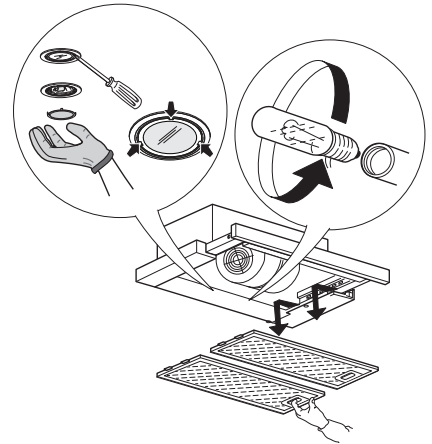
IMPORTANT : check the type of lamp is suitable for your particular model of appliance. Replace the lamp with an identical one as indicated on the specifications label or next to the lamp itself, on the hood.

Version with halogen lamps 28w max - E14

1. Disconnect the hood from the household power supply.
2. Open the steam deflector and remove the metal grease filters.
3. Remove the burnt-out lamp and fit a new one.
4. Refit the metal grease filters.

Version with halogen spotlight 20w max - G4

1. Disconnect the hood from the household power supply.
2. Using a small flat-head screwdriver at the three points indicated, gently prise off the lamp cover.
3. Remove the burnt-out lamp from the lampholder and fit a new one.
4. Refit the lamp cover (snap-on).



CARBON FILTER

(filter hoods only)

It captures and neutralizes unwanted cooking odours.

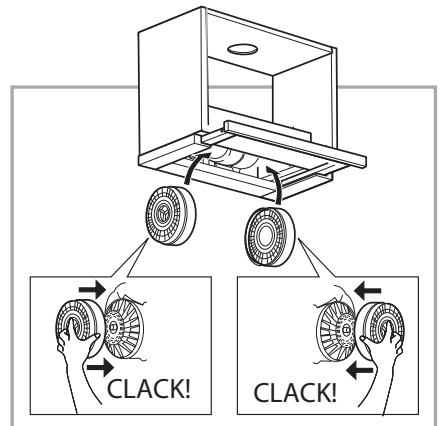
Change the carbon filter every 4 months

Fitting or changing the carbon filter

1. Pull out the steam deflector.
2. Remove all the grease filters (refer to the section "grease filters").
3. Fit the carbon filter so that it covers the motor grille and turn clockwise to lock it in place.

Note: Proceed in reverse order to remove.

Proceed in reverse order to refit the grease filters in place.



MATERIAL SUPPLIED

Remove all the components from the packets. Check that all the components are included.

- Hood assembled with motor, lamps and grease filters installed.
- Instructions for assembly and use
- 1 power supply cable
- 1 allen key
- 1 cable clamp
- 5 screws 3.5x9.5
- 4 screws 4.2x35
- 2 adjuster brackets
- 1 collar

INSTALLATION - PRELIMINARY ASSEMBLY INSTRUCTIONS

The hood is designed for installation and use in "Extractor version" or in "Filter version".

Extractor Version

Fumes are extracted and expelled to the outside through an exhaust pipe (not supplied) fixed to the hood exhaust pipe connector
Depending on the exhaust pipe purchased, provide for suitable fixing to the exhaust pipe connector

IMPORTANT: If already installed, remove the carbon filter/s.

Filter Version

Air is filtered through the carbon filter/s and recycled into the surrounding environment.

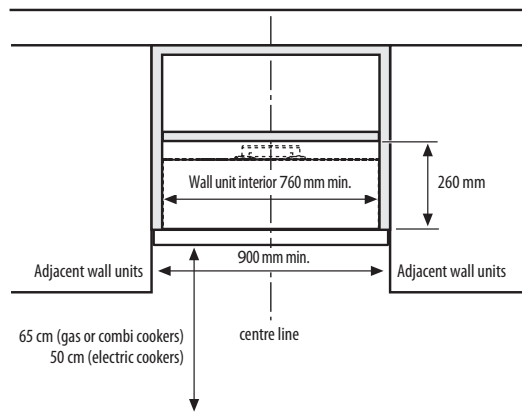
IMPORTANT: Check that air recirculation is ensured.

If the hood does not have the carbon filter/s, order one/them and fit before use.

Install the hood away from very dirty areas, windows, doors and heat sources.

The hood comes with all the materials necessary for installation on the majority of walls/ceilings. However, a qualified technician must ensure that the materials are suitable according to the type of wall/ceiling.

INSTALLATION DIMENSIONS



This type of hood must be installed inside a wall unit or similar support.

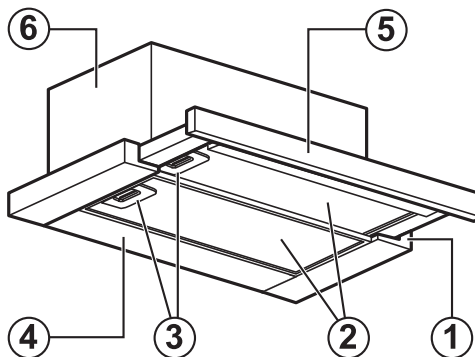
INSTALLATION - ASSEMBLY INSTRUCTIONS

The instructions below, to be carried out in the order in which they are numbered, refer to the figures (with the same step numbers) given on the last pages of this manual.

1. Feed through the power supply cable and secure the cable clamp (using n.1 screw 3.5x9.5).
 2. Install the collar on the exhaust outlet hole with 2 screws.
 3. Position the wall unit shelf at a height of 26 cm from the bottom.
 - 4-5-6. Position the drilling template on the bottom of the shelf, drill the 4 Ø 5mm side holes and prepare the central opening for the air vent.
 7. **For the upper outlet:** drill the top of the wall unit, taking into account the position of the outlet hole.
 8. **For the rear outlet:** drill the back of the wall unit in the middle at the desired height.
 9. Secure the hood to the wall unit using the 4 screws 4.2x35.
 - 10-11. Fit ducting for the venting of fumes, connecting it to the collar (for the Filter version, a small section of ducting that reaches the top of the wall unit will suffice).
- N.B.:** The pipe is not included in the pack and must be purchased separately.
12. Open the steam deflector and remove the metal grease filters.
 13. Install the brackets for adjusting the deflector.
 14. **For Filter Version only:** fit the carbon filter (refer to instructions in the section MAINTENANCE-Carbon Filter).
 15. Refit the metal grease filters.

DESCRIPTION AND USE OF HOOD

1. Control panel.
2. Grease filter.
3. Grease filter spring release handles.
4. Lighting.
5. Pull-out steam deflector.
6. Extractor unit body.



Control panel

1. **Light ON/OFF button**
2. **Timer ON/OFF button:** time-delayed switch-off of the selected extraction speed (power):
Extraction speed (power) 1: 20 minutes
Extraction speed (power) 2: 15 minutes
Extraction speed (power) 3: 10 minutes
Intensive extraction speed (power): 5 minutes.
3. **OFF / Extraction speed (power) decrease button**
4. **ON / Extraction speed (power) increase button**
5. **Display, shows:**
 - a. Extraction speed (power):** LEDs L1 - L2 - L3 - L4 (flashing) light up according to the selected extraction speed (power).
Note: LED L4 - intensive extraction speed (power) works for approximately 5 minutes after which the hood sets the intermediate speed.
 - b. Timer:** The LED of the selected speed will flash to indicate that the timer is active.
 - c. Grease filter saturation:** LEDs L3 and L4 flash **alternately** with a short time interval.
 - d. Active carbon filter saturation:** LEDs L3 and L4 flash **at the same time** with a short time interval.

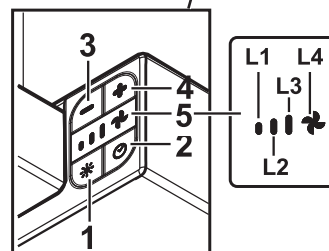
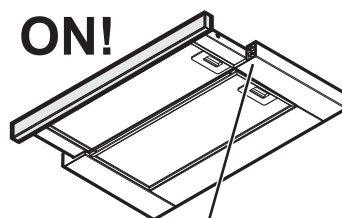
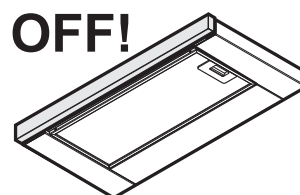
Filter saturation signaling reset: Carry out filter maintenance, then press and hold button 2 until the LEDs go out.

Note: Active carbon filter saturation is normally disabled and should only be activated if the hood is used as a filter version (with carbon filter fitted).

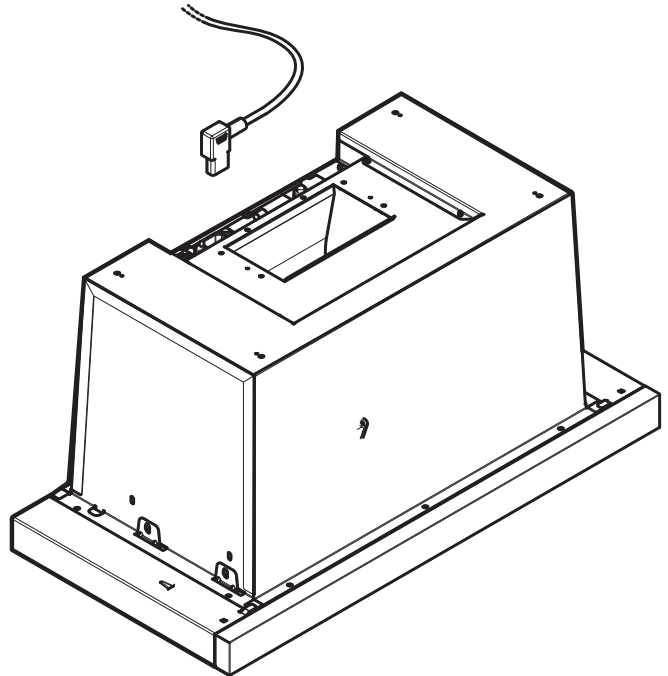
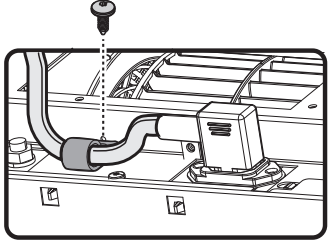
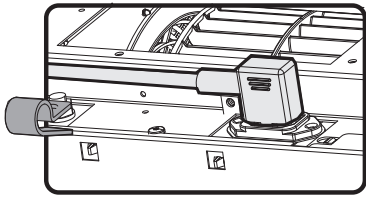
To do so, proceed as follows:

- switch off the hood
- press and hold both buttons 3 and 4 until LEDs L1 and L2 briefly flash.

To turn off repeat this process, only LED L1 will briefly flash.

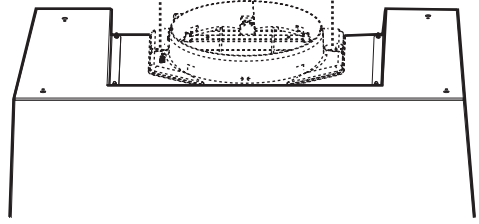
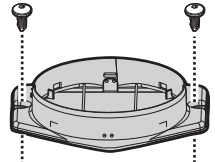


1 x
Ø 3,5x9,5

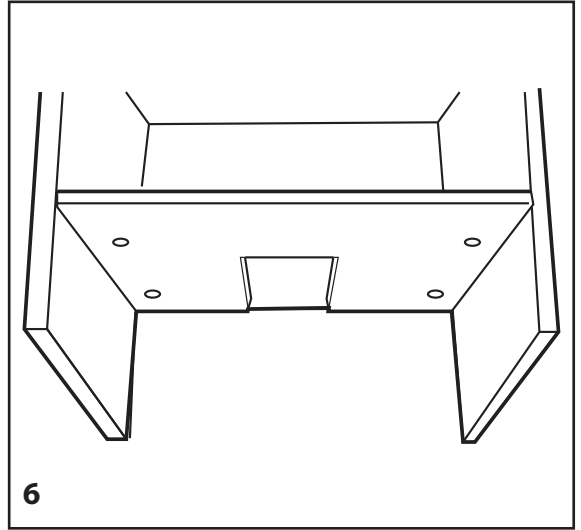
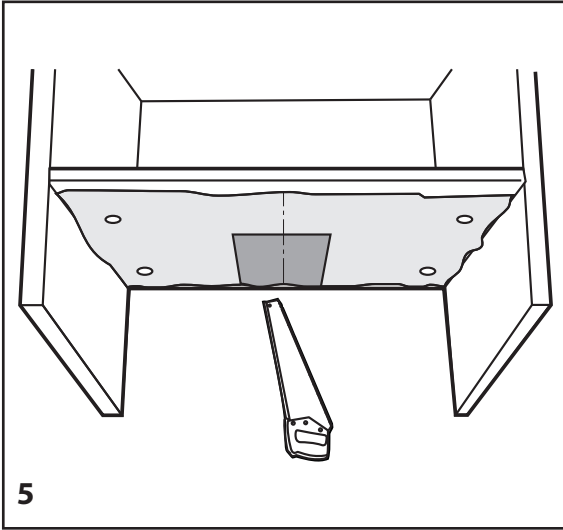
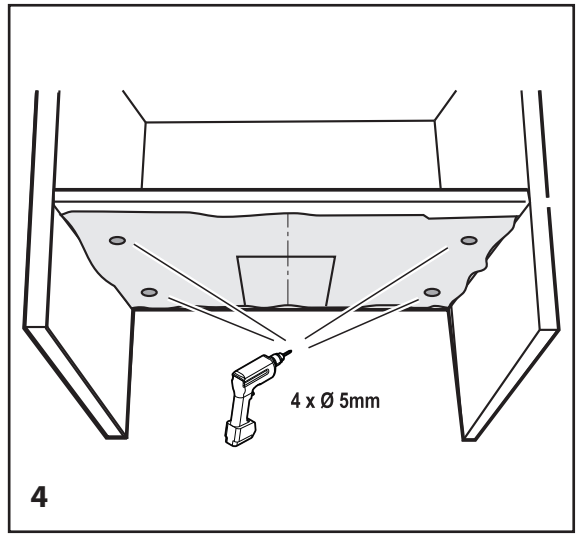
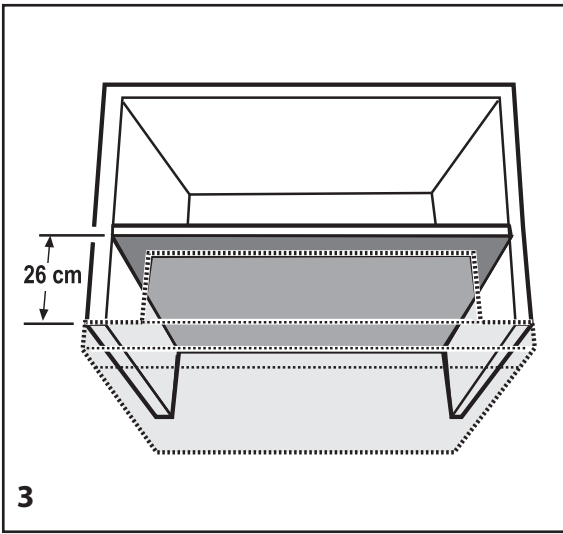


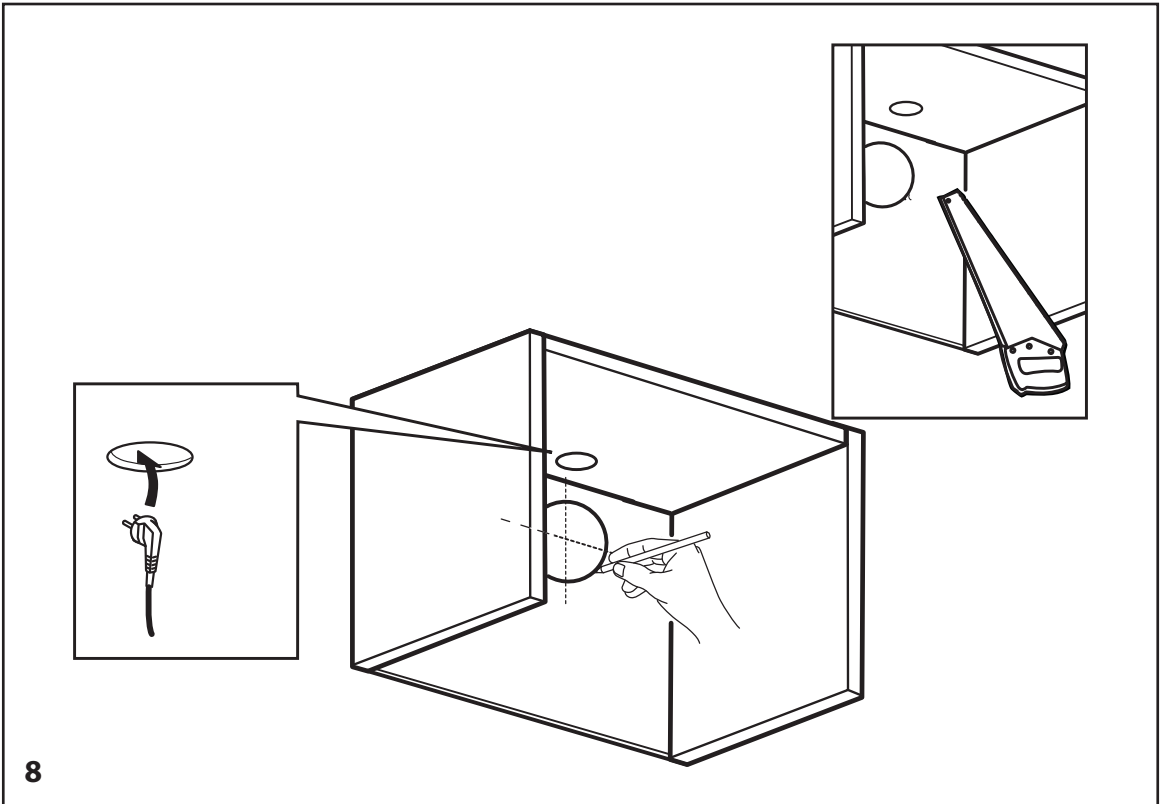
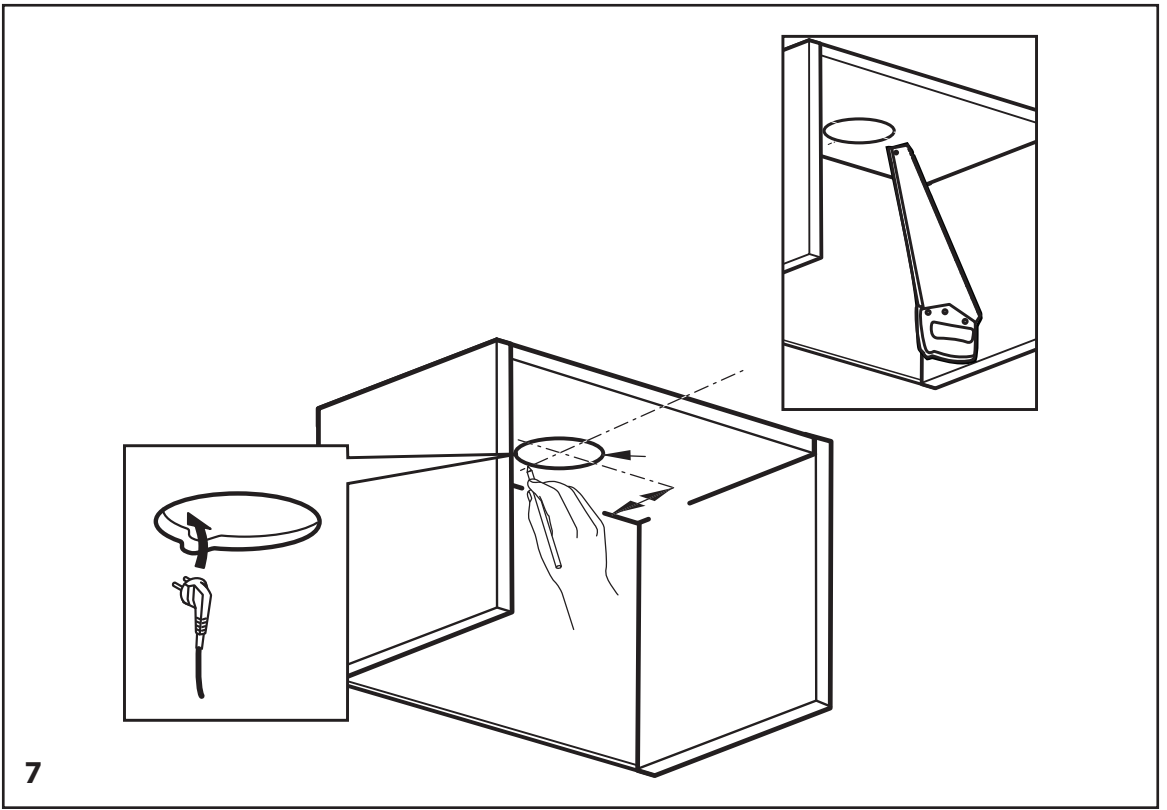
1

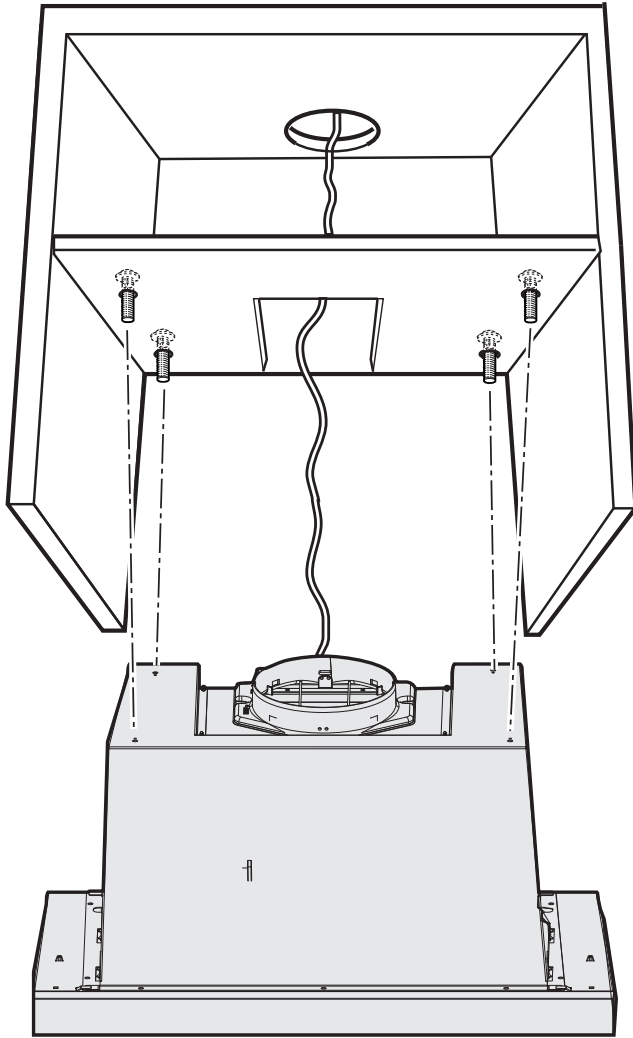
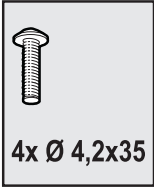
2 x
Ø 3,5x9,5



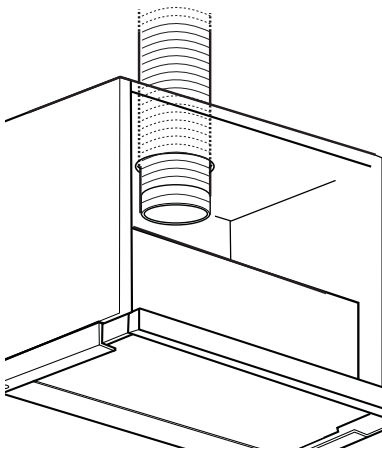
2



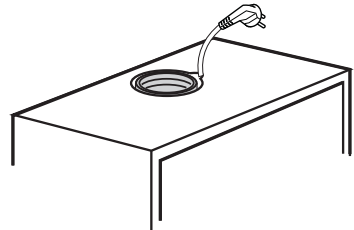
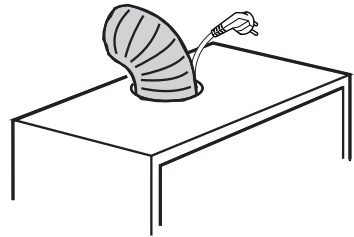




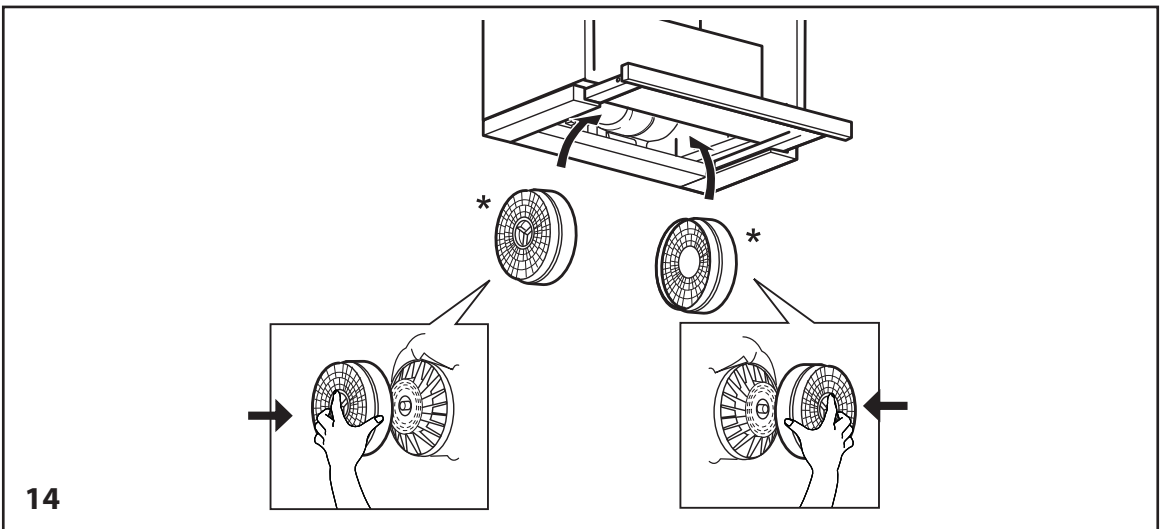
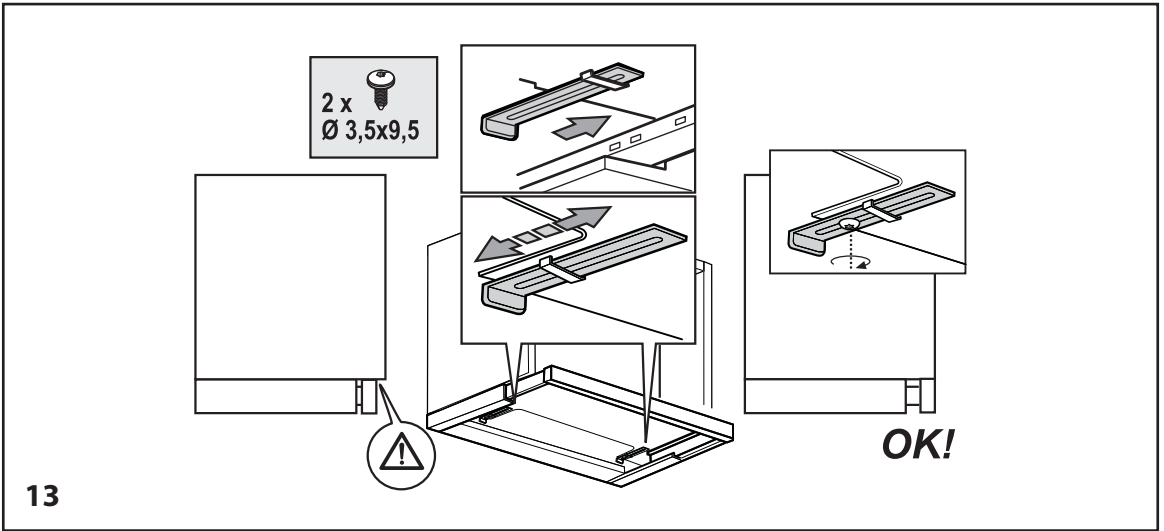
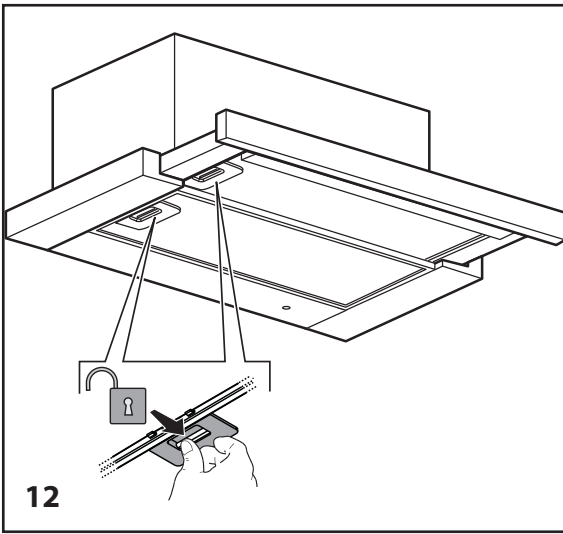
9

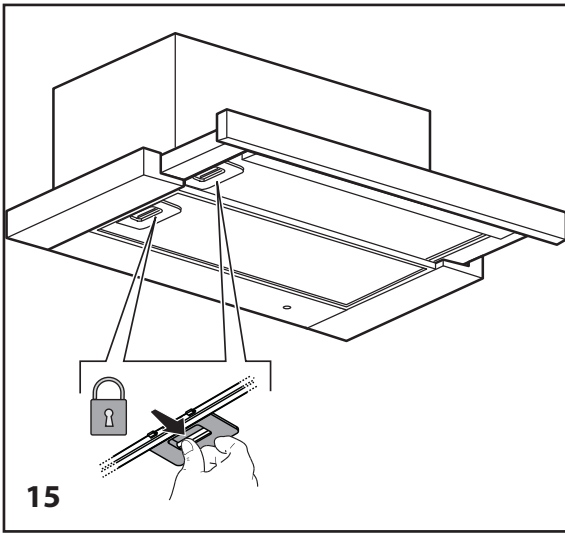


10



11





15

<http://www.whirlpool.hk>

Printed in Italy
03/2014

5019 600 00935
LIB0098697 Ed. 03/14

