

DAILY REFERENCE GUIDE

DDLX80115
Max. Load: 8 kg

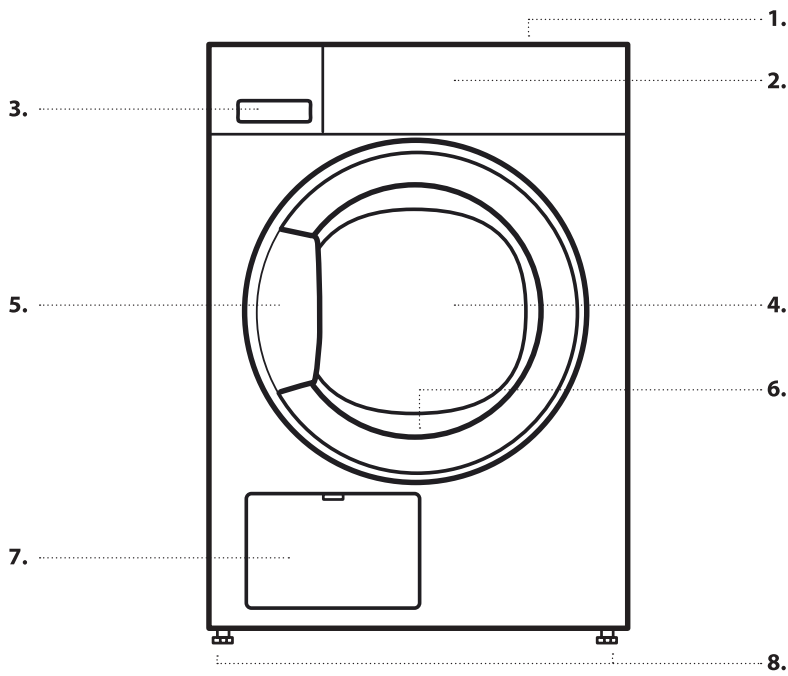


THANK YOU FOR BUYING A WHIRLPOOL PRODUCT.
In order to receive a more complete assistance, please register your appliance on www.whirlpool.com.hk

Before using the appliance carefully read Health & Safety, Use & Care and Installation guides.

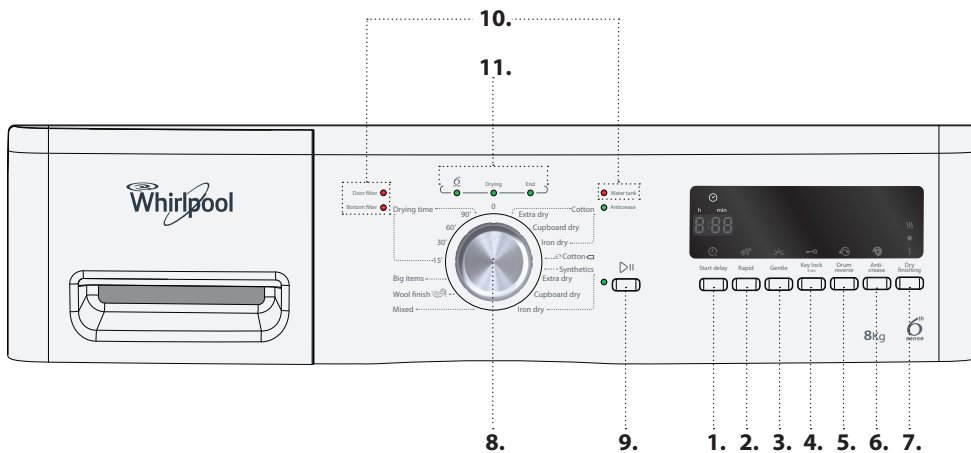
PRODUCT DESCRIPTION

APPLIANCE



1. Worktop
2. Control panel
3. Water tank
4. Door
5. Door handle
6. Door filter (behind door)
7. Conenser (=bottom filter; behind flap)
8. Adjustable feet (4)

CONTROL PANEL



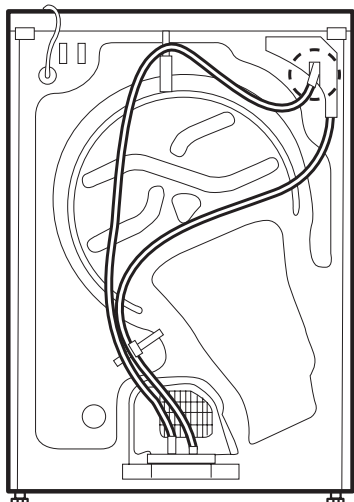
1. Start delay function
2. Rapid option
3. Gentle option
4. Key lock
5. Drum reverse option
6. Anti-crease option
7. Dry finishing option
8. Programme selector
9. Start/Pause button
10. Failure indicators
11. Programme sequence indicator

FIRST TIME USE

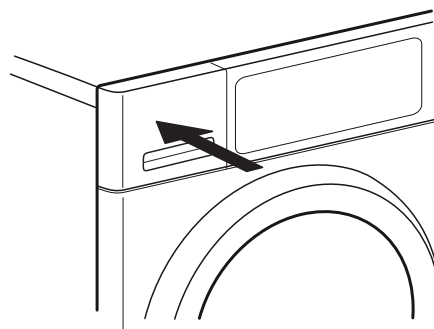
BEFORE USING THE DRYER

CHECK DRAIN HOSE AND WATER TANK

Make sure that the drain hose on the back of the dryer is fixed correctly, either to the dryer's water tank (see picture), or to your domestic sewage system (see Installation guide).



Also make sure that the water tank is correctly inserted.



DAILY USE

See Use and Care Guide for more details on functions /
see last page for information on how to obtain the Use and Care Guide

⚠ WARNING

Make sure that no lighters or matches remain in the laundry.

Make sure that the laundry is not soaked with flammable liquids.

1. LOAD LAUNDRY

Prepare your laundry according to the recommendations in section **HINTS AND TIPS**.

Make sure that pockets are empty, fasteners closed and ribbons tied together.



Open the door and load the laundry. Observe the maximum load sizes given in the **PROGRAMME CHART**.



2. CLOSE DOOR

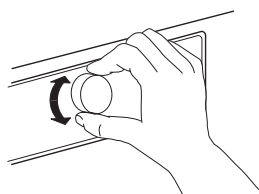
Make sure that no laundry gets stuck between door glass and door filter.



Close the door so that you can hear it click shut.

3. SET THE DESIRED PROGRAMME

Turn the knob to select the desired programme.
The default programme duration appears on the display.



Find more information regarding programmes in the **PROGRAMME CHART**.

Select options, if needed

If you want to select additional options, press the respective button - the symbol on the display lights up.

Refer to section **OPTIONS, FUNCTIONS AND INDICATORS** for more information.

4. START PROGRAMME

Press the *Start/Pause* button; the indicator next to the button lights up. The drying process starts.

The remaining programme duration is indicated on the display. It can be recalculated and adapted in the course of the programme. During such phases, an animation occurs on the display.

5. CHANGE THE SETTINGS OF A RUNNING PROGRAMME, IF NEEDED

To change the settings of a running programme or start delay:

- press *Start/Pause* to put the running programme on pause
- change your settings
- press *Start/Pause* again to continue the programme.

6. RESET A RUNNING PROGRAMME, IF NEEDED

Turn the programme selector to Off/O.

⚠ WARNING

Immediately open the door and unload the laundry, so that eventual heat in the laundry can dissipate.

7. SWITCH OFF THE DRYER AFTER PROGRAMME END

At the end of the programme, "End" appears on the display. Turn the programme selector to Off/O to switch off the dryer. Open the door and take out your laundry.

End

If you do not switch the dryer off after programme end, the dryer drum rotates from time to time the next 10 minutes after programme end, to reduce creasing of the laundry. The dryer will switch off automatically in about a quarter of an hour after programme end, to save energy.

8. EMPTY WATER TANK / CLEAN DOOR FILTER / CLEAN BOTTOM FILTER




Refer to section **CARE AND MAINTENANCE**.

HINTS AND TIPS

According to the care labels of your laundry; make sure that it is appropriate for being treated in a dryer.

CARE LABELS

The dots indicate the temperature degree for drying the laundry.

-  Normal temperature
-  Reduced temperature
-  Do not tumble dry

EMPTY ALL POCKETS

Objects like coins or keys can damage your laundry as well as the drum.

SAVING TIPS

Always dry a full load; this optimizes the relative energy consumption. The maximum load sizes for the various programmes are indicated in the programme chart.

To reduce the drying time, make sure that the laundry is through the maximum possible spin speed of the wash programme. This reduces the moisture content in the laundry.

CONSUMPTION DATA

Data can differ in your home, mainly depending on the moisture content of the laundry load.

Programme	Load (Kg)	Spin Speed (rpm)	Humidity (%)	Energy consumption (kWh)	Drying Time (min)
ECO COTTON *	8	1000	60	4.76	135
	4	1000	60	2.55	80
ECO COTTON	8	800	70	5.52	154
	8	1400	50	3.96	117
COTTON IRON DRY	8	800	70	4.38	131
	8	1000	60	3.92	112
	8	1400	50	3.46	99
SYNTHETICS CUPBOARD DRY	3.5	1000	40	1.44	46

*Reference programmes for Energy Label / Regulation 392/2012 / EU Values are based on the default programme setting, with clean door and bottom filter. For consumer tests, the door filter and bottom filter need to be cleaned after each cycle.

The energy consumption and drying time may differ from the values above. They depend on the operation conditions in your home (such as voltage fluctuation, mixture of textiles, humidity of the textiles after spinning, load volume).

The values are determined according to European Norm 61121 and refer to the default programme setting; changing the setting also impacts the consumption data.

PROGRAMME CHART

Programme		Care labels	Max load	Options					Default & Duration (H:M N)	
				Rapid 	Gentle 	Drum reverse 	Anti-crease 	Dry finishing 	Pro-gramme Duration {	With Rapid Duration {
Cotton	Extra dry		max	✓	✓	✓	✓	✓	2:10	2:02
	Cupboard dry			✓	✓	✓	✓	✓	1:50	1:42
	Iron dry			✓	✓	✓	✓	✓	1:30	1:22
e Cotton			max	✓	✓	—	✓	✓	1:40	1:32
Synthetics	Extra dry		3.5	—	✓	✓	✓	✓	1:00	-
	Cupboard dry			—	✓	✓	✓	✓	0:55	-
	Iron dry			—	✓	✓	✓	✓	0:50	-
Mixed			3.0	—	✓	✓	✓	✓	1:20	-
Wool finish			1.0	—	—	—	—	—	0:06	-
Big items			3.0	—	—	✓	✓	—	1:20	-
Drying time			max	—	—	—	✓	—	-	-

✓ Selectable / Optional — Not Selectable / Applicable

PROGRAMMES

Make sure that your laundry is suitable to be treated in a tumble dryer. Refer to **HINTS AND TIPS** / Care labels.

ECO COTTON

For drying normally wet cotton laundry.
Standard cotton programme, suitable to dry normal wet cotton laundry. Most efficient programme in terms of energy consumption for drying cotton laundry.
The values on the Energy Label are based on this programme.

COTTON

For drying cotton laundry.

SYNTHETICS

For drying laundry made of synthetic fibres.

MIXED

For drying mixed laundry loads made of cotton, linen, synthetic fibres and their blends.

WOOL FINISH

For finishing the air-drying process of woolen textiles. Woolens get fluffy and smooth.



BIG ITEMS

For drying big laundry items, such as sleeping bags, blankets etc.

DRYING TIME

Time-restricted drying programme. Select programme duration of 15, 30, 60 or 90 minutes.

For all fabrics appropriate for tumble drying.

Also suitable to add an additional short 15 minutes drying phase after programme end.

OPTIONS, FUNCTIONS AND INDICATORS

Refer to the programme chart to check which options are available for the selected programme.

OPTIONS



Rapid

Enables quicker drying.



Gentle

Enables a more gentle treatment of the laundry by reducing the drying temperature.



Drum reverse

Reduces creasing by increased drum reverse phases during the programme.



Anti-crease

Helps to prevent creasing if you cannot unload the laundry soon after programme end.

The dryer starts to tumble the laundry periodically a few minutes after programme end. This tumbling will last up to approximately 12 hours after end of the programme. You can stop it at any time by switching off the dryer by turning the programme selector to Off/0 position.

Dry finishing

Enables slight variation of the dryness level at the end of the programme by prolonging or shortening the programme duration.

- }}) slightly dryer
- standard dryness
- { slightly more humid

OPTIONS RAPID AND GENTLE ARE NOT COMBINABLE

FUNCTIONS



Start delay

Moves the start of your programme to a later time. Choose a delay up to 12 hours.

- Select programme and options.
- Press the *Start delay button* repeatedly until the desired delay time appears on the display.
- Press *Start / Pause* - the display shows the countdown of the delay until start of the programme. The start delay symbol on the display blinks, and the *Start / Pause button* lights up. A sound by activation of the pump may occur.
- After the delay has expired, the dryer starts automatically. On programme start, the display indicates the remaining programme duration.

To cancel the *Start delay*

- Turn the programme selector to the Off/0 position, or to select another programme.



Key lock

To lock the buttons and knob of the control panel against unwanted operation.

To lock the buttons and knob:

- A programme must be selected.
- Press and hold the *Key lock button* until the key symbol lights up on the display. Knob and keys are locked now. With activated key lock, the only working function is to switch the dryer off by turning the programme selector to the Off/0 position.

If you switch the dryer on again by selecting a programme, the key lock will remain active until you unlock it.

To unlock buttons and knob:

- Press and hold the *Key lock button* until the key symbol on the display goes off.

INDICATORS

Failure indicators:



Water tank

(=> empty water tank)



Bottom filter

(=> clean bottom filter).



Door filter

(=> clean door filter)

In case of any failures, refer to section **TROUBLESHOOTING** in the **USE AND CARE GUIDE**.

Programme sequence indicator



Shows the current programme phase (6th Sense / drying process / programme end).



Anti-crease

Indicates that the dryer is in the tumbling phase after programme end, to avoid creasing of the laundry (refer to DAILY USE point 7, and to OPTIONS, FUNCTIONS AND INDICATORS-Anti-crease).

CARE AND MAINTENANCE

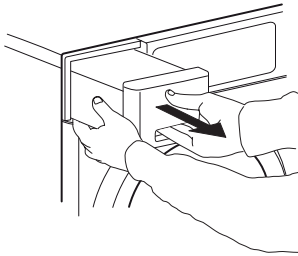
⚠ WARNING

Switch off and unplug the dryer before doing any cleaning and maintenance.

Caution, the water in the water tank can still be hot.

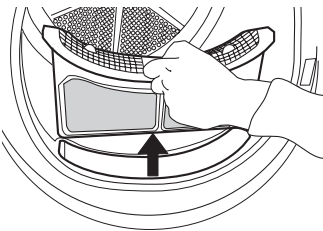
EMPTY WATER TANK AFTER EACH DRYING CYCLE

Hold the handle and carefully pull out the water tank. Hold the full water tank with both hands. Empty the water and insert the container by pushing it back into place. Make sure that it is properly inserted.

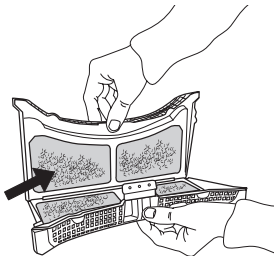


CLEAN DOOR FILTER AFTER EACH DRYING CYCLE

Open the door and remove the door filter by pulling it upwards.

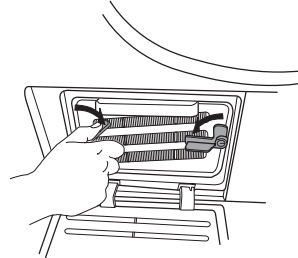


Press the button to open the door filter. Remove the lint inside. Close the filter and reinsert it in the right direction, so that it completely integrates in the filter chamber.

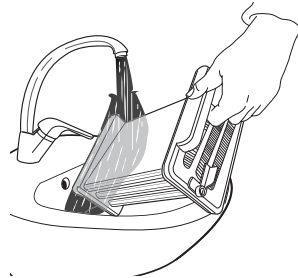


CLEAN THE BOTTOM FILTER ABOUT EVERY TWO MONTHS

Open the bottom flap. Turn the locking bars right and left on the bottom filter downwards in horizontal position. Hold the bottom filter on the handle and pull it out.



Clean the bottom filter under running water; wipe away dust and lint.



Clean the filter chamber of the dryer with a damp cloth or carefully with a vacuum cleaner. Insert the bottom filter again. Turn the locking bars upwards in vertical position. Close the bottom flap.

MAINTENANCE AND CLEANING AND TROUBLESHOOTING

Refer to the *Use and Care Guide*.

The *Use and Care Guide* can be obtained as follows:

- After-Sales Service; using the phone number in the warranty booklet
- Download from the Whirlpool website www.whirlpool.com.hk



400011022952



Whirlpool® is a registered trademark of Whirlpool group of companies
All rights reserve - www.whirlpool.com.hk

日常使用參考指引

DDLX80115

最大乾衣量：8 公斤

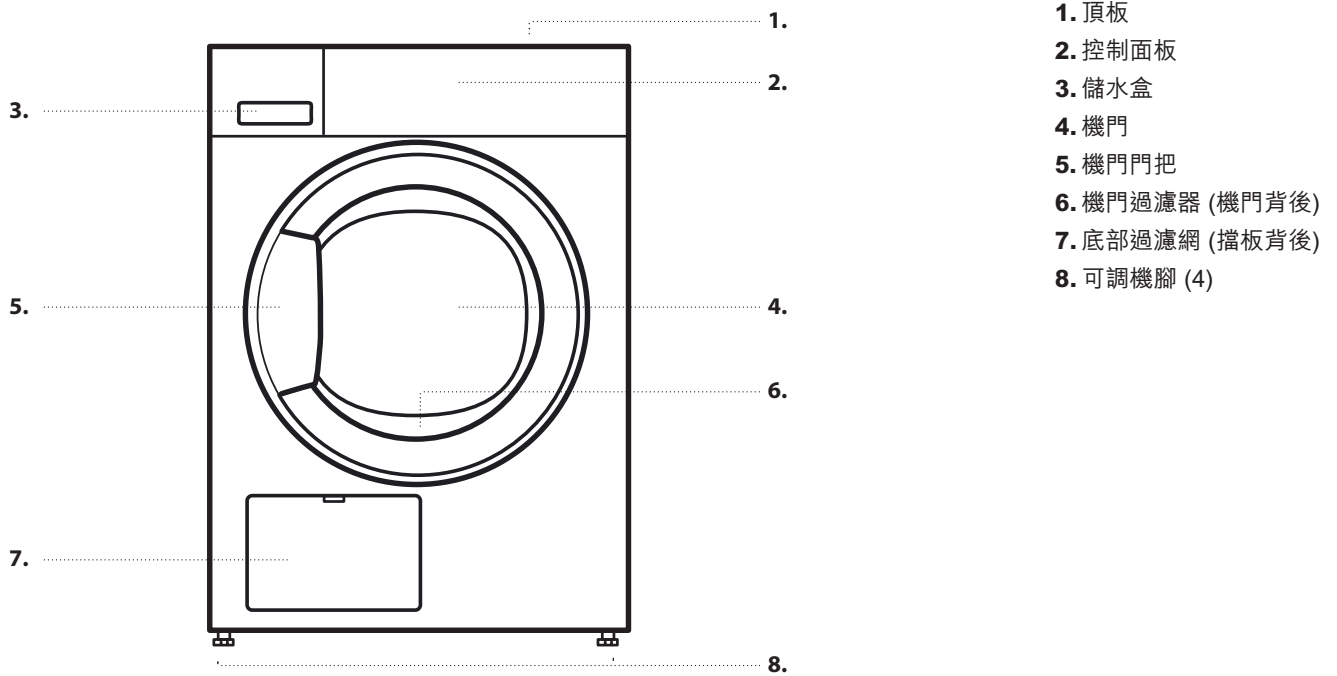


感謝您購買惠而浦產品
為了獲得更完善的服務，
請於www.whirlpool.com.hk註冊您的產品

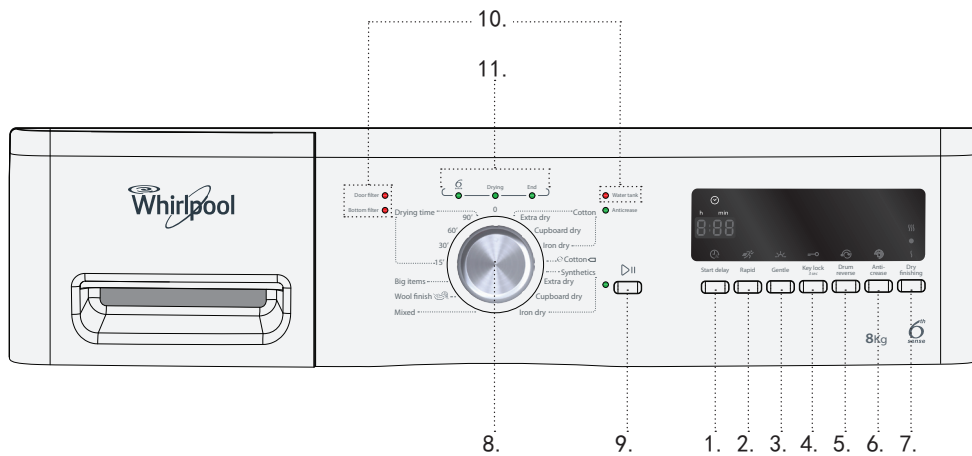
使用此產品前，請細心參閱
〈產品安全指引、使用說明及安裝指南〉。

產品介紹

產品



控制面板



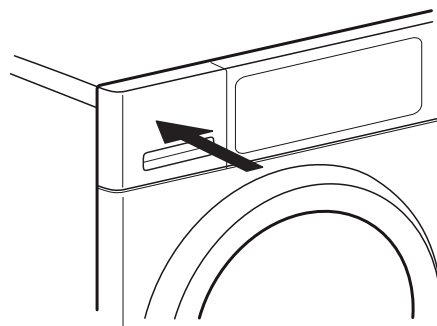
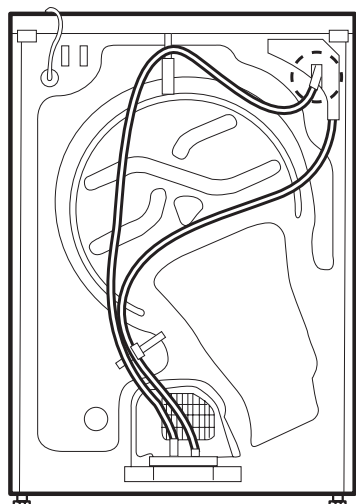
首次使用

使用乾衣機前

檢查排水軟管與儲水盒

請確保在乾衣機後部的排水軟管被正確固定，固定到乾衣機的儲水盒，或您日常的污水處理系統 (參見安裝指南)。

請確保儲水盒是否正確安插。



日常使用

請參閱〈使用和保養指南〉中更多詳細信息功能或參閱最後一頁以得知如何獲得〈使用和保養指南〉。

警告

確保沒有打火機或火柴留在衣物內。

確保衣物沒有浸泡在易燃液體。

1. 放入衣物

按照後頁篇章〈提示及應用〉中的建議，準備好您的衣物。確保已清空衣物口袋。



打開機門，放入衣物。
請查閱程序表中所指出的最大建議乾衣量。



2. 關閉機門

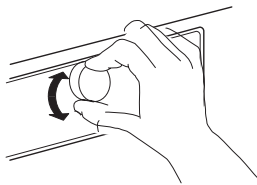
確保衣物沒有被卡住於機門玻璃和機門過濾器之間。



關上機門，您可以聽到喀噠一聲。

3. 設定所需的程序

轉動旋鈕以選擇所需的程序。
程序的預設乾衣時間會顯示於顯示屏上。



詳細資訊請參閱程序表

選擇選項 (如有需要)

如欲選擇額外選項，請按所需的「選項」鍵。
- 已選擇的選項指示燈會於顯示屏亮起。

詳細資訊請參閱〈選項，功能及指示燈〉篇章。

4. 啟動程序

按「啟動/暫停」鍵直至指示燈亮起，乾衣程序將會啟動。

程序時間可以被重新計算，並適用於在該程序運行時。
在這樣的階段，顯示屏上會顯示動畫。

5. 變更正在運行的程序 (如有需要)

您仍可在程序啟動後更改一些設定或預校開機時間：

- 按下「啟動/暫停」鍵暫停程序
- 變更所需設置。
- 再次按「啟動/暫停」鍵繼續運行程序。

6. 重新設置正在運行的程序 (如有需要)

把程序選擇旋鈕轉動至 0。

警告

必須即時打開機門並取出衣物，讓衣物的餘熱能夠散出。

7. 程序結束後關閉乾衣機

顯示屏上顯示「結束」，把程序選擇旋鈕轉動至0，以關閉乾衣機。打開機門並拿出機內衣物。

End

如果程序結束後沒有立即關閉乾衣機，乾衣機將翻滾機內衣物大約10分鐘，以防止皺摺。乾衣機將在程序結束的15分鐘後自動關閉，以節省能源。

8. 清空儲水盒/清洗機門過濾器/清洗底部過濾網請參閱〈清潔和維護〉篇章。

提示及應用

根據衣物上的護理標籤，以確保衣物於乾衣機內能被恰當處理。

清理衣物內的袋口

留在衣物內的物件如硬幣或鑰匙會損害衣物及滾桶。

乾衣衣物護理標籤

圓點表示乾衣的溫度程度



適合烘乾



適合低溫烘乾



不可烘乾

節約提示

加載最大的衣物量能夠達至能源的最優化使用。請參閱程序表上各程序有關最大的衣物量指示。

以縮短乾衣時間，確保衣物通過高旋轉速度洗滌脫水，可減少衣物中的水分含量。

電源消耗資料表

在您家中的運作時的數值可以不同，主要是由於乾衣機內衣物的濕度不同。

程序	建議乾衣量 (公斤)	旋轉速度 (每分鐘)	濕度 (%)	耗電量 (千瓦小時)	乾衣時間 (分鐘)
棉質節能 *	8	1000	60	4.76	135
	4	1000	60	2.55	80
棉質節能	8	800	70	5.52	154
	8	1400	50	3.96	117
棉質熨乾	8	800	70	4.38	131
	8	1000	60	3.92	112
	8	1400	50	3.46	99
合成纖維乾衣	3.5	1000	40	1.44	46

* 屬能源標籤及 392/2012 /EU 規定標準的參考程序。

數值基於預設程序，潔淨的空氣和底部過濾器。

對於消費者測試，機門過濾器和底部過濾網需要在每次程序後進行清潔。

能源消耗和乾衣時間可以不同於上述的數值。數值根據在您家中的運作條件(如電壓波動，混合紡織品，紡絲紡織品的濕度，負荷量)。

數值是根據歐洲標準61121，並參考預設程序而決定，更改設定也會影響消耗數據。

程序表

程序	衣物護理標籤	建議最大乾衣量(公斤)	選項					預設程序時間(小時:分鐘)		
			快速 	輕柔 	反向旋轉乾衣 	防皺清新 	微調烘乾程度 	程序時間	使用快速	
棉質	額外乾衣		最大	✓	✓	✓	✓	✓	2:10	2:02
	一般乾衣			✓	✓	✓	✓	✓	1:50	1:42
	熨燙乾衣			✓	✓	✓	✓	✓	1:30	1:22
棉質節能 ◁		最大	✓	✓	—	✓	✓	1:40	1:32	
合成纖維	額外乾衣		3.5	—	✓	✓	✓	✓	1:00	-
	一般乾衣			—	✓	✓	✓	✓	0:55	-
	熨燙乾衣			—	✓	✓	✓	✓	0:50	-
混合衣物		3.0	—	✓	✓	✓	✓	1:20	-	
羊毛		1.0	—	—	—	—	—	0:06	-	
大型物件		3.0	—	—	✓	✓	—	1:20	-	
乾衣時間		最大	—	—	—	✓	—	-	-	

✓ 可選擇 / 選用

— 不可選擇 / 適用

程序

確保衣物於乾衣機內能被恰當處理。請參閱 <提示及應用> 中提及的衣物護理標籤。

棉質節能 ◀

適用於烘乾一般濕棉質衣物。

標準棉質程序，適用於烘乾一般濕棉質衣物。乾燥棉質衣物的最佳耗電程序。屬能源標籤的參考程序。

棉質

適用於烘乾一般濕棉質衣物。

合成纖維

適用於烘乾一般的人造纖維衣物。

混合衣物

適用於烘乾由棉、麻、人造纖維及其混合織物製成的衣物。

羊毛

適用於烘乾羊毛織品。使毛織品蓬鬆光滑。



大型物件

適用於烘乾如睡袋，可拆洗棉被。

乾衣時間

時間限制的烘乾程序。按此鍵以選擇15、30、60或90分鐘程序持續時間。

適用於所有適合烘乾的衣物物料。

適用於程序結束後添加一個額外15分鐘的短烘乾階段。

選項，功能及指示燈

請參閱程序表上各程序可供選擇的有關選項。

選項



快速

允許更快的烘乾。



輕柔

通過降低烘乾溫度使得更加柔和處理衣物。



反向旋轉乾衣

通過增加滾桶反向旋轉的階段以減少衣物摺皺。



防皺清新

有助於乾衣程序結束後無法即時取走衣物下，仍保持您的衣服防皺。乾衣機會在程序結束後定期翻滾幾分鐘。滾桶可在最長12小時內不時轉動。可隨時把程序選擇旋鈕轉動至○以關閉乾衣機，中斷此功能。

微調烘乾程度

可透過增長或縮短最後乾衣階段的時間以輕微調節乾衣程度。



輕微額外烘乾



一般乾衣



輕微減少烘乾

「快速」及「輕柔」選項不能同時被選擇。

功能



預校開機時間

此功能可讓您延後程序的開始時間，選擇延遲最多至12小時。

- 選擇程序和選項。
- 重複按「預校開機時間」鍵，直至顯示屏上出現所需的延後開機時間。
- 按下「啟動/暫停」鍵 - 倒數計時開始。預校開機時間的指示燈會閃爍，「啟動/暫停」鍵的指示燈會亮起。可能會聽到排水泵啟動聲響。
- 倒數計時完成後，乾衣機會自動啟動。程序開始時，顯示屏上會顯示程序的剩餘時間。

取消預校開機時間

- 把程序選擇旋鈕轉動至○，或選擇其他程序。

兒童安全鎖

鎖定控制面板避免按下不必要的操作鍵和旋鈕。

鎖定操作鍵和旋鈕：

- 必須選定程序。
- 按住「兒童安全鎖」鍵，直到顯示屏上的指示燈亮起。旋鈕和按鍵即被鎖定。只有把程序選擇旋鈕轉動至○以關閉乾衣機的功能可如常運作。如果關閉乾衣機後並再次啟動，兒童安全鎖將仍然保持運作，直到您解開安全鎖才可繼續使用。

解鎖方法：

- 按住「兒童安全鎖」鍵，直到鑰匙符號燈熄滅。

指示燈

故障：

儲水盒



(=> 清空儲水盒)

底部過濾網



(=> 清洗底部過濾網)

機門過濾器



(=> 清洗機門過濾器)

對於任何故障，請參見〈使用和保養指南〉中的故障排除篇章。

程序流程指示燈



顯示現時的程序階段 (第6感 / 乾衣流程 / 程序結束)。



防皺清新

指示乾衣機正在程序結束後的防皺清新階段，以避免衣物摺皺。(請參閱〈日常使用〉中的第7點，及〈選項，功能及指示燈〉中選項的防皺清新)。

清潔和維護

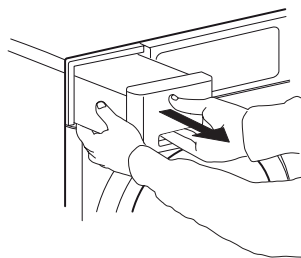
警告

執行任何清潔和維護前，請先關閉乾衣機和拔下插頭。

注意！儲水盒內的水可能仍熱燙。

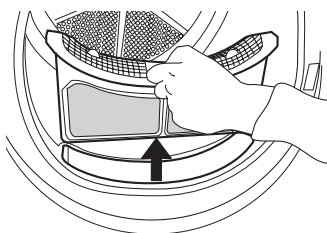
每次乾衣程序後清空儲水盒

握住手柄並輕輕拉出儲水盒。用雙手保持滿水儲水盒。將水倒出，並將容器推回原位。請確保其正確安插。

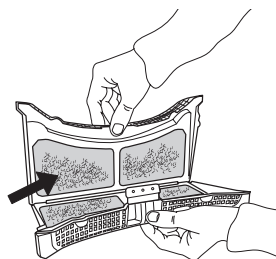


每次乾衣程序後清潔機門過濾器

打開機門，向上拉出機門過濾器。

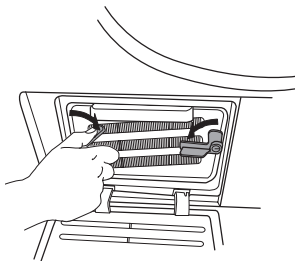


按壓按鈕打開機門過濾器，清除裡面的塵埃雜質。關閉過濾器，並以正確方向重新裝上，使其完全置於過濾室。

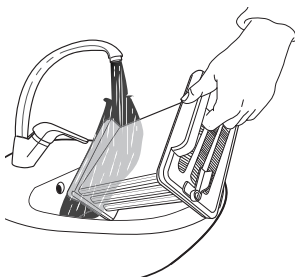


每兩個月清潔底部過濾網

打開底部的蓋片。把左右兩邊的鎖桿按下直至橫向。握住手柄，拉出底部的過濾網。



使用流水清潔底部過濾網。擦去灰塵和絨毛。



請用濕布或小心地用吸塵器清潔。重新安插底部過濾網。把過濾器手柄還原下放，並關閉蓋片。

維護和清潔及故障排除

有關維護和清潔及故障排除，請參閱〈使用和保養指南〉。

〈使用和保養指南〉可經以下途徑取得：

- 售後服務中心 - 請致電保用證上顯示的號碼
- 按照以下網址上的指引
www.whirlpool.com.hk



400011022952



Whirlpool 註冊商標 / 惠而浦集團的TM商標
版權所有 翻印必究 - www.whirlpool.com.hk