

# DAILY REFERENCE GUIDE

**DSCX10122**  
**Max. Load: 10 kg**

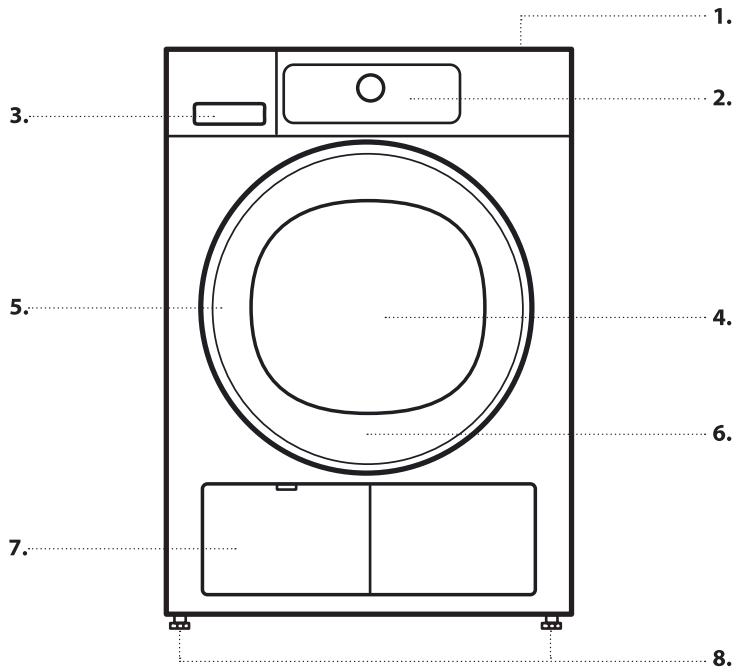


**THANK YOU FOR BUYING A WHIRLPOOL PRODUCT.**  
 In order to receive a more complete assistance, please register your appliance on [www.whirlpool.com.hk](http://www.whirlpool.com.hk)

Before using the appliance carefully read Health & Safety, Use & Care and Installation guides.

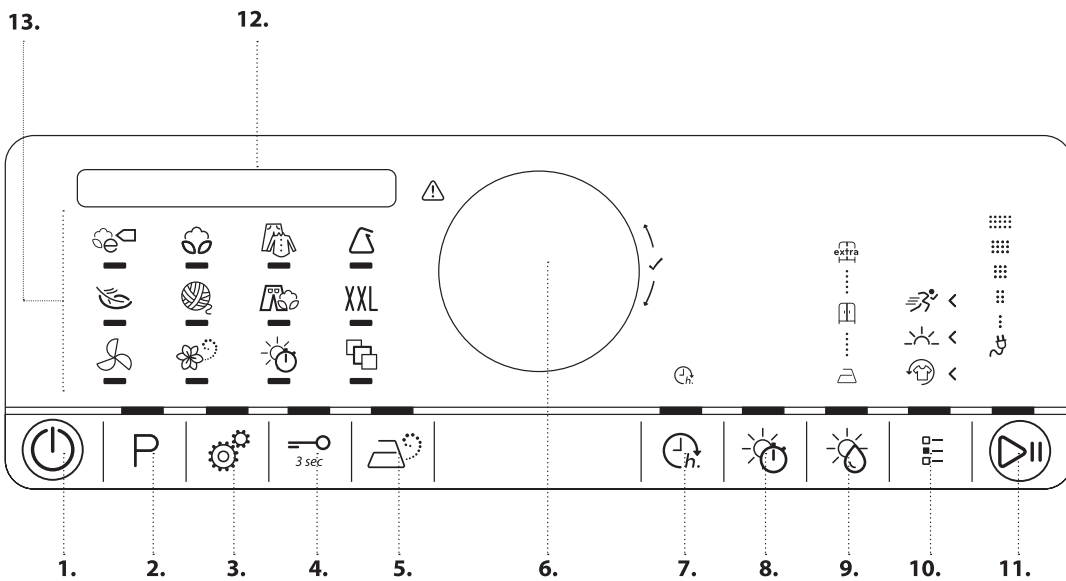
## PRODUCT DESCRIPTION

### APPLIANCE



1. Worktop
2. Control panel
3. Water tank
4. Door
5. Door handle
6. Door filter (behind door)
7. Bottom filter (behind flap)
8. Adjustable feet (4)

### CONTROL PANEL



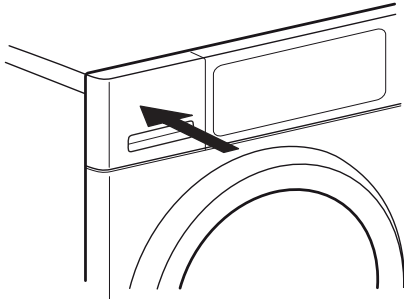
1. On/Off button (Reset if long pressed)
2. Programme button
3. Settings button
4. Key lock
5. Steam option
6. Knob (Turn to select / Press to confirm)
7. Finish in
8. Drying time
9. Dryness level
10. Options button
11. Start / Pause button
12. Display
13. Programmes area

# FIRST TIME USE

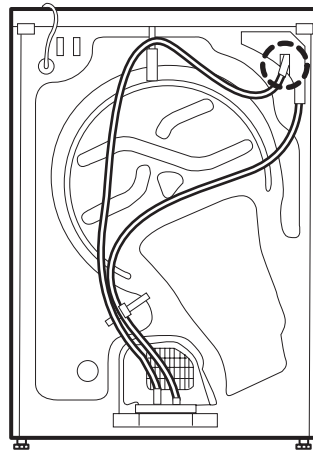
## BEFORE USING THE DRYER

### CHECK DRAIN HOSE AND WATER TANK

Make sure that the water tank is correctly inserted.



Make sure that the drain hose on the back of the dryer is fixed correctly, either to the dryer's water tank, or to your domestic sewage system (see Installation guide).



When switching on the dryer for the first time, you will be asked to

- Set the desired language
- Adapt the value for your local water conductivity
- Set the dryer to recall the last used programme setting or not when switching it on.

Refer to HINTS AND TIPS and OPTIONS, FUNCTIONS AND INDICATORS / SETTINGS.

## DAILY USE

See Use and Care Guide for more details on functions / see last page for information on how to obtain the Use and Care Guide

### ⚠ WARNING

Make sure that no lighters or matches remain in the laundry.

Make sure that the laundry is not soaked with flammable liquids.

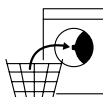
### 1. LOAD LAUNDRY

- Prepare your laundry according to the recommendations in section "HINTS AND TIPS".

Make sure that pockets are empty.



- Open the door and load the laundry. Observe the maximum load sizes given in the PROGRAMME CHART.



### 2. CLOSE THE DOOR

- Make sure that no laundry gets stuck between door glass and door filter
- Close the door so that you can hear it click shut.



### 3. SWITCH ON DRYER

- Press the On/Off button until the programme button lights up. An animation occurs, and there is a sound. Afterwards the dryer is ready to be operated.

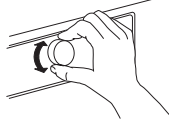


## 4. SET THE DESIRED PROGRAMME

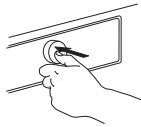
**GUIDED MODE** - the button light will guide you through setting your programme in the following order: selection of programme / drying time (ONLY if Drying time or Airing programme is selected) / dryness level (only if selectable/adjustable) / options. As soon as you confirm a selection by pressing the knob, the button light will jump to the next step.


### • Select programme:

Make sure that the programme button lights up.



Turn the knob to select the desired programme. The indicator next to the selected programme lights up. Confirm by pressing the knob.



Programme position  offers a choice of special programmes, which you can select by turning the knob; afterwards press the knob to confirm the selected programme.

Find more information regarding programmes in the Programme Chart.

### • Select Drying time, if needed



**ONLY if you have selected programme Drying time or Airing**, you can set the desired drying / airing time from a minimum of 10 minutes to maximum 180 minutes (three hours).

Make sure that the Drying time button lights up. Turn the knob to select the desired drying / airing time. Confirm it by pressing the knob.

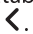
### • Set dryness level, if needed



If you want to change the dryness level, make sure that the Dryness level button lights up. Turn the knob to select the desired dryness level, then press the knob to confirm.

### • Select options, if needed



If you want to select additional options, make sure that the options button lights up. The options which are selectable for your programme are indicated by lighting arrows .

Turn the knob to select the desired options. The symbol of the selected option blinks. To confirm it, press the knob. Some options / functions can be selected by directly pressing the button:



Refer to section OPTIONS, FUNCTIONS AND INDICATORS for more information.

## INDIVIDUAL MODE

After you have switched on the dryer, you are not forced to follow the GUIDED MODE.

It is up to you which order you choose to set your programme. To do a setting, first press the relevant button, then turn the knob to select, and finally press the knob to confirm.

The variety of options and dryness levels depends on the programme selected. Therefore it is recommended to start your setting with selecting the programme.

P

## 5. START PROGRAMME



- Press and hold Start/Pause until the button lights up solidly; the drying process starts.
- The duration can be recalculated and adapted in the course of the programme. During such phases, an animation occurs on the display.

## 6. CHANGE THE SETTINGS OF A RUNNING PROGRAMME, IF NEEDED

You can still change some settings after a programme was started: Adjust drying time (only if programme Drying time or Airing is selected):

Adjust or cancel "Finish in", if a delay was selected and started. Add or cancel an option, provided the progress of the programme still allows it.

- Press the relevant button. The selected setting will blink for a few seconds.
- While blinking, you can adjust the setting by turning the knob. If the value or setting stopped blinking, press the button again.
- Press the knob to confirm the modification. If you do not confirm, the modification will be confirmed automatically – the modified setting will stop blinking.

The programme will continue automatically.

To change the settings of a running programme or delay, you can also:

- Press Start/Pause to put the running programme on pause
- Change your settings
- Press Start/Pause again to continue the programme.

## 7. RESET A RUNNING PROGRAMME, IF NEEDED



- Press and hold the On/Off button until the display indicates that the programme is cancelled.

## 8. SWITCH OFF THE DRYER AFTER PROGRAMME END



- The display indicates that the cycle has finished. Press On/Off to switch off the dryer. Open the door and take out your laundry.
- The dryer will switch off automatically in about a quarter of an hour after programme end, to save energy.
- If not switched off right after programme end, the dryer will tumble the laundry for about 10 minutes, to prevent creasing. The display shows an animation.

## 9. EMPTY WATER TANK / CLEAN DOOR FILTER / CLEAN BOTTOM FILTER

- Refer to section CARE AND MAINTENANCE.

# PROGRAMME CHART

Programme		Care labels	Max load (Kg)	Directly selectable			Selectable by options button			Default Temp. & Duration (H:MIN)	
				Dryness level	Steam option	Drying time	Fresh Care	Gentle	Rapid	Pro-gramme Duration	With Rapid
ECO COTTON			max		—	—		—	—	1:40	-
COTTON			max		—	—				1:50	1:42
					✓						
MIXED			2.0	—	✓	—	✓	✓	—	1:20	-
SYNTHETICS			3.5		—	—			—	0:55	-
					✓						
DELICATES			2,.		—	—	✓	—	—	0:50	-
WOOL EXCELLENCE			1.0		—	—	—	—	—	0:05	-
JEANS			3.0		—	—	✓	✓	—	1:20	-
BIG ITEMS	XXL		3.0		—	—	✓	—	—	1:20	-
AIRING			max	—	—	✓	✓	—	—	0:15	-
STEAM REFRESH			1.5	—	—	—	—	—	—	0:30	-
DRYING TIME			max	—	—	✓	✓	—	—	0:10	-
SHIRTS			2.5		—	—	✓	✓	—	0:45	-
SILK			2.5		—	—	✓	—	—	0:55	-
SPORT			2.5		—	—	✓	—	—	0:55	-
TOWELS			5		—	—	✓	✓	✓	2:00	1:52
OUTDOOR			2		—	—	✓	—	—	0:50	-
DOWN JACKETS			1.5		—	—	✓	—	—	1:10	-
MINI LOAD			1.0		—	—	✓	—	—	0:30	-

✓ Selectable/optional    — Not selectable/applicable

\* Duration indicated after load sensing

# HINTS AND TIPS

Respect the care labels of your laundry; make sure that it is appropriate for being treated in a dryer.

## DRYING CARE LABELS

The dots indicate the temperature degree for drying the laundry



Normal temperature



Reduced temperature



Do not tumble dry

## SAVING TIPS

- To reduce the drying time, make sure that the laundry is spun with the maximum possible spin speed of the wash programme. This reduces the moisture content in the laundry.
- Always dry a full load; this optimizes the relative energy consumption.

## ADAPTING THE DRYER TO WATER CONDUCTIVITY

The drying results are affected by the conductivity of the water used during washing. If, by modifying the available dryness levels (iron dry; cupboard dry; extra dry), you are not satisfied with the final drying results, you can adapt the water conductivity level. The dryer comes with preset level 2. Choose between level 1 (most damp results) and 5 (most dry results).

Refer to section OPTIONS, FUNCTIONS AND INDICATORS / Settings.

# PROGRAMMES

Make sure that your laundry is suitable to be treated in a tumble dryer. Refer to HINTS AND TIPS / Care labels.

## ECO COTTON

For drying normally wet cotton laundry. Standard cotton programme, suitable to dry normally wet cotton laundry. Most efficient programme in terms of energy consumption for drying cotton laundry. The values on the Energy Label are based on this programme.



## COTTON

For drying cotton laundry.



## MIXED

For drying mixed laundry made of cotton, linen, artificial fibres and their blends.



## SYNTHETICS

For drying laundry made of synthetic fibres.



## DELICATES

For drying delicate laundry which needs gentle treatment.



## WOOL EXCELLENCE

For drying woolsens labeled with the Woolmark TOTAL EASY CARE WOOL.



## JEANS

For drying cotton jeans-wear and garments made of robust jeans like material, such as trousers and jackets.



## BIG ITEMS

For drying big laundry items, such as bathmats, blankets etc.



## AIRING

For airing, refreshing and loosening up laundry for 30 minutes, without heating.



## STEAM REFRESH

For refreshing laundry with steam. Specifically designed to refresh and remove odors from dry and clean casual garments like shirts, blouses, trousers made out of cotton, synthetics and their blends. Before loading the laundry into the drum, slightly humidify it by spraying it with water (maximum 200 ml; use a water spray bottle). For this programme, dryness level "cupboard dry" is preset and cannot be changed. After programme end, the garments shall be removed immediately and put on clothes hangers to minimize wrinkling.



## DRYING TIME

Time-restricted drying programme. Select programme duration by option Drying time.



For all fabrics appropriate for tumble drying. Suitable to add an additional short drying phase after programme end. Refer to OPTIONS, FUNCTIONS AND INDICATORS / option Drying time for more information.

## SPECIAL PROGRAMMES

To set one of the following programmes, select and confirm the special programmes position by pressing the knob for 3 seconds. Then turn the knob to select one of the following programmes; the display indicates the programme name. Confirm the desired programme by pressing the knob.



### Shirts

Gentle drying of shirts and blouses made of cotton, synthetic fibers or their blends.

### Towels

For drying robust laundry made of cotton, such as terry towels.

### Silk

Gentle drying of silk garments.

### Sport

For drying sports garments made of synthetics or cotton.

### Outdoor

For drying outdoor clothes which are appropriate for being treated in a dryer.

### Downjackets

For drying big single items such as down jackets.

### Miniload

Economic drying of small laundry loads.

## OPTIONS, FUNCTIONS AND INDICATORS

**Not all options are combinable; the non-combinable option switches off automatically.**

**OPTIONS which are directly selectable by pressing the respective button:**

#### Steam option

Minimizes creasing of garments made of cotton, synthetics and their blends by adding a humidifying phase at the end of the drying cycle.

Use the option with small loads only, unload the garments from the dryer immediately after programme end and put them on clothes hangers.

The humidity level automatically adjusts to "cupboard dry" and cannot be changed with this option.



#### Drying time

To adjust the desired Drying time if drying time or Airing programme has been selected.

Press the button; the light goes on, and the drying time symbol on the display lights up. Turn the knob to select the desired drying time up to maximum 180 minutes, then press the knob to confirm



#### Dryness level

To select the desired dryness level for the laundry load.

Press the button until it lights up. Turn the knob to select the desired dryness level; chose between



iron dry (suitable to be ironed after the drying cycle, therefore still slightly humid)



cupboard dry (dry enough to be put in a cupboard at the end of the drying cycle)



extra dry (maximum dryness level)

and confirm by pressing the knob

**OPTIONS which are selectable with the Options button**

#### Fresh Care

Helps to keep your laundry fresh if you cannot unload it soon after programme end.



The dryer starts to tumble the laundry periodically a few minutes after programme end. This tumbling will last up to approximately 12 hours after end of the programme. You can stop it at any time by switching off the dryer with the On/Off button

#### Gentle

Enables a more gentle treatment of the laundry by reducing the drying temperature.



#### Rapid

Enables quicker drying.



#### FUNCTIONS:

##### Settings

The following settings can be changed / selected:

- Display language / Key tones / Cycle end alert / Display contrast / Water conductivity (= adaptation to conductivity of water used for washing; adjustable from 1 = most damp results, to 5 = most dry results) / Remember last used cycle (if set to "Off", Eco Cotton is the default programme which is selected when switching on the dryer) / Eco mode (automatic switch-off function after programme end) / Return to factory settings.
- Press and hold the Settings button for at least 3 seconds.
- Turn the knob to select the setting which you want to change; confirm it by pressing the knob.
- Turn the knob to adjust the setting; confirm by pressing the knob.
- To exit the Settings mode, either turn the knob until the display indicates that you can exit – then confirm by pressing the knob. Or alternatively press the Settings button.



##### Key lock

To lock keys and knob of the control panel against unwanted operation.



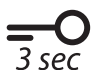
To lock the keys:

- The dryer must be switched on.
- Press and hold the Key lock button until the button lights up. Knob and keys are locked now.



Only the On/Off button works

If you switch the dryer off and on again, the key lock remains active until you unlock it.



To unlock the keys:

- Press and hold the Key lock button until the button light goes off.



**Finish in**

Enables to have the laundry ready at a particular time by setting a delay until end of the programme.



Choose a delay up to 24 hours.

- Select programme and options.
- Press the "Finish in" button – the symbol over the button lights up.
- Turn the knob to select a delay up to 24 hours. Confirm the desired delay by pressing the knob.
- Press "Start / Pause" - the countdown of the delay starts. The display indicates that Finish in is active.
- The programme starts automatically, in time to be finished at the end of the delay period. On programme start, the delay on the display is replaced by the remaining programme duration.

To cancel the delay

- either press "Start/Pause" to cancel the delay. To start the selected programme immediately, press "Start/Pause" again .
- or press and hold "On/Off" to cancel the complete programme setting.

**INDICATORS****Failure**

For any failures, refer to section TROUBLESHOOTING in the USE AND CARE GUIDE.

**Energy monitor**

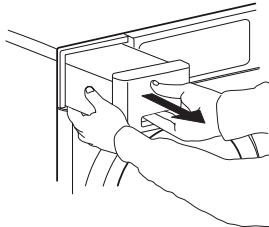
Gives feedback about the energy consumption of the programme setting. The less indicators light up, the more economic is your programme setting.

## CARE AND MAINTENANCE

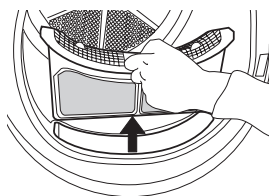
**Switch off and unplug the dryer before doing any cleaning and maintenance.**  
**Caution, the water in the water tank can still be hot.**

**• Empty water tank after each drying cycle**

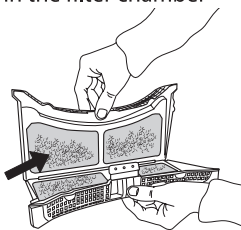
Hold the handle and carefully pull out the water tank. Hold the full water tank with both hands. Empty the water and insert the container by pushing it back into place. Make sure that it is properly inserted.

**• Clean door filter after each drying cycle**

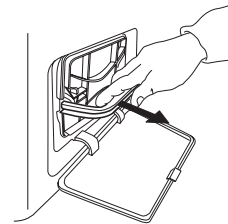
Open the door and remove the door filter by pulling it upwards



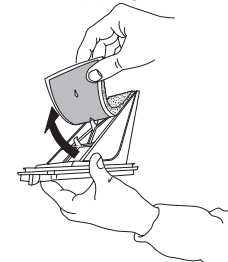
Press the button to open the door filter. Remove the lint inside. Close the filter and reinsert it in the right direction, so that it completely integrates in the filter chamber

**• Clean the bottom filter after about every fifth drying cycle**

Open the bottom flap. Hold the handle and pull out the bottom filter





Remove the foam from the bottom filter, to clean it. Clean the filter foam and the filter by hand or under running water. Do not wash the filter foam in the washing machine. Wring out the filter foam. Do not insert it in the bottom filter dripping wet



Fix the filter foam on the bottom filter. Clean the filter chamber the dryer with a damp cloth or carefully with a vacuum cleaner. Insert the bottom filter again. Clap the filter handle down and close the bottom flap

# CONSUMPTION DATA

PROGRAMME	SUGGESTED LOAD (KG)	SPIN SPEED (rpm)	HUMIDITY (%)	ENERGY CONSUMPTION (kWh)	DRYING TIME (min)
ECO COTTON 	8	1 000	60	1.45	209
	4	1 000	60	0.82	131
ECO COTTON 	8	800	70	1.67	234
	8	1 400	50	1.23	167
COTTON IRON DRY	8	800	70	1.23	216
	8	1 000	60	1.06	185
	8	1 400	50	0.89	154
SYNTHETICS CUPBOARD DRY	3.5	1 000	40	0.51	81

\*Reference programmes for Energy Label / Regulation 392/2012 /EU Values are based on the default programme setting, with clean air and bottom filter. For consumer tests, the door filter and bottom filter need to be cleaned after each cycle. The energy consumption and drying time may differ from the values above.

They depend on the operation conditions in your home (such as voltage fluctuation, mixture of textiles, humidity of the textiles after spinning, load volume). The values are determined according to European Norm 61121 and refer to the default programme setting; changing the setting also impacts the consumption data.

## MAINTENANCE AND CLEANING AND TROUBLESHOOTING

Refer to the *Use and Care Guide*.

The *Use and Care Guide* can be obtained as follows:

- After-Sales Service; using the phone number in the warranty booklet
- Download from the Whirlpool website [www.whirlpool.com.hk](http://www.whirlpool.com.hk)



400010765919

Whirlpool® is a registered trademark of Whirlpool group of companies  
All rights reserve - [www.whirlpool.com.hk](http://www.whirlpool.com.hk)





# 日常使用參考指引

DSCX10122

最大乾衣量：10公斤

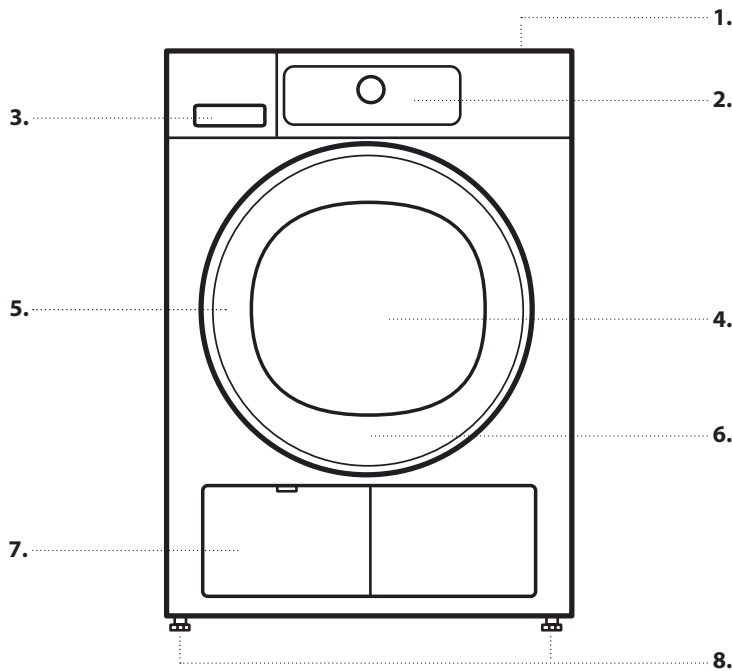


感謝您購買惠而浦產品  
為了獲得更完善的服務，  
請於[www.whirlpool.com.hk](http://www.whirlpool.com.hk)註冊您的產品

使用此產品前，請細心參閱  
〈產品安全指引、使用說明及安裝指南〉。

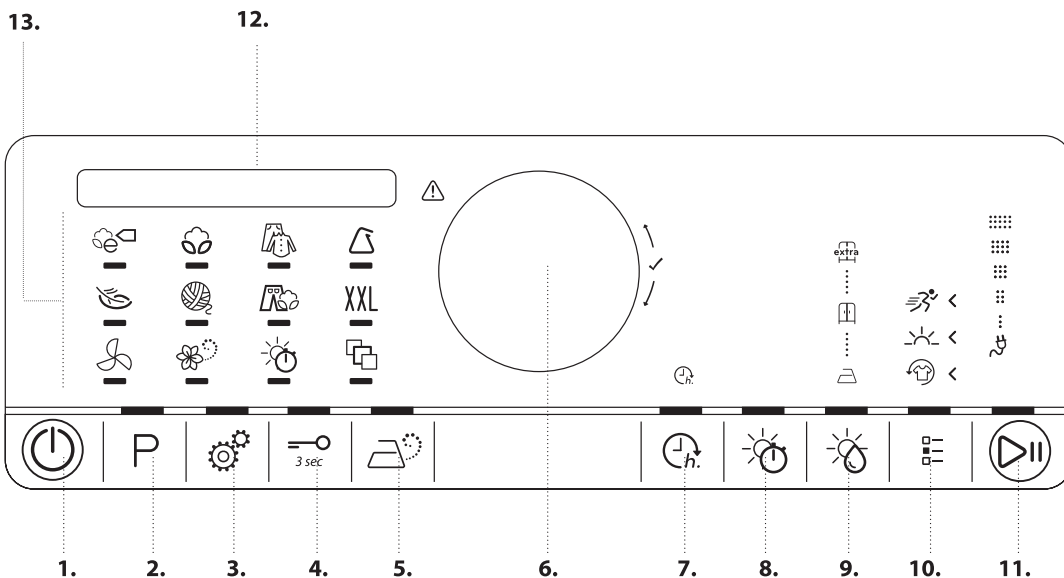
## 產品介紹

產品



1. 頂板
2. 控制面板
3. 儲水盒
4. 機門
5. 機門門把
6. 機門過濾器 (機門背後)
7. 底部過濾網 (擋板背後)
8. 可調機腳 (4)

控制面板



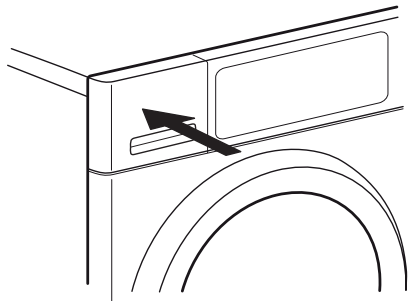
1. 電源「開/關」鍵  
(長按為「重設」鍵)
2. 「程序」鍵
3. 「設定」鍵
4. 兒童安全鎖
5. 蒸氣選項
6. 旋鈕  
(旋動選擇 / 按壓確定)
7. 「預校結束時間」鍵
8. 「乾衣時間」
9. 「乾衣程度」
10. 「選項」鍵
11. 「啟動/暫停」鍵
12. 顯示屏
13. 程序顯示位置

# 首次使用

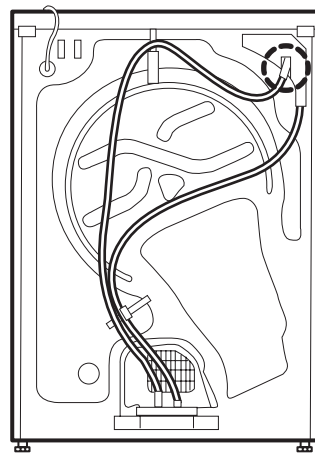
## 使用乾衣機前

### 檢查排水軟管與儲水盒

請確保儲水盒是否正確安插。



請確保在乾衣機後部的排水軟管被正確固定，固定到乾衣機的儲水盒，或您日常的污水處理系統 (參見安裝指南)。



當乾衣機第一次被啟動，您會被要求：

- 設置所需的語言
  - 調整當地水的電導率值
  - 是否設置記憶模式，可使乾衣機記住上次使用的程序
- 請參閱〈提示及應用〉，〈選項，功能及指示燈〉及〈設定〉篇章。

## 日常使用

請參閱〈使用和保養指南〉中更多詳細信息功能或參閱最後一頁以得知如何獲得〈使用和保養指南〉。



### 警告

確保沒有打火機或火柴留在衣物內。

確保衣物沒有浸泡在易燃液體。

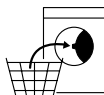
#### 1. 放入衣物

- 按照後頁篇章〈提示及應用〉中的建議，準備好您的衣物。確保已清空衣物口袋。



- 打開機門，放入衣物。

請查閱程序表中所指出的最大建議乾衣量。



#### 2. 關閉機門

- 確保衣物沒有被卡住於機門玻璃和機門過濾器之間。
- 關上機門，您可以聽到喀嗒一聲。



#### 3. 開啟乾衣機

- 按「開/關」鍵，直到「程序」鍵亮起。閃燈動畫將會顯示，並且有聲響，代表該乾衣機已準備好被使用。



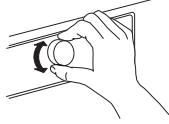
## 4. 設定所需的程序

引導模式 - 指示燈會按以下順序引導您完成程序設定：選擇程序 / 乾衣時間 (只有當乾衣時間或風乾程序已選時) / 乾衣程度 (只有當可選或調整時) / 選項。

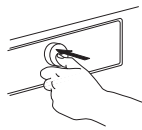
只要您按下旋鈕確認選擇，指示燈會跳轉到下一個步驟。


### • 選擇程序：

確保「程序」鍵亮起。



轉動旋鈕以選擇所需程序，選定程序旁邊的指示燈會亮起。按下旋鈕以確認所需程序。



「程序」位置  提供了各樣特別選項，可透過轉動旋鈕選擇，並按下旋鈕以確認所需程序。有關程序詳細可參閱〈程序表〉篇章。

### • 調整乾衣時間 (如有需要)



只有當已選擇「乾衣時間」或「風乾程序」時，可以設置所需的乾衣或風乾時間，由最少10分鐘至最多180分鐘 (3小時)，確保「乾衣時間」鍵亮起。轉動旋鈕選擇所需的乾衣或風乾時間，並按下旋鈕以確認所需程序。

### • 設定乾衣程度 (如有需要)



如欲調整乾衣程度，請確保「乾衣程度」鍵已亮起。轉動旋鈕選擇所需的乾衣程度，並按下旋鈕以確認。

### • 選擇選項 (如有需要)



• 如欲選擇額外選項，確保「選項」鍵亮起。  
可選擇的選項會按您已選擇的程序判斷，並以照明箭頭表示。

轉動旋鈕選擇所需選項。所選的選項指示燈隨之閃爍，可按旋鈕確認。可以直接按下按鍵以選擇以下一些選項 / 功能：



詳細資訊請參閱〈選項，功能及指示燈〉篇章。

## 個人模式

當您已經開啟過乾衣機，您可以不用強制性跟著引導模式使用。可按個人喜好選擇順序來設定程序。要進行設定，首先按相應的按鍵，然後轉動旋鈕選擇，最後按下旋鈕確認。各種選項及乾衣程度的範圍取決於所選的程序。因此，建議先選擇程序的設定。

## P

## 5. 啟動程序



- 按「啟動/暫停」鍵直至指示燈亮起，乾衣程序將會啟動。
- 程序時間可以被重新計算，並適用於在該程序運行時。在這樣的階段，顯示屏上會顯示動畫。

## 6. 變更正在運行的程序 (如有需要)

您仍可在程序啟動後更改一些設定：

- 調整「乾衣時間」(只有當乾衣時間或風乾程序已選時)。
- 調整或取消「預校結束時間」(如果已選預校結束時間，並已開始程序時)。
- 調整或取消選項，所提供的程序仍被允許。

- 按相關按鍵。該項目設置會閃爍幾秒鐘。

- 當指示燈閃爍時，可以轉動旋鈕調整設置。如果該值或項目設置停止閃爍，再次按下按鈕。
- 按下旋鈕以確認修改。如果不按下旋鈕確認，修改仍會自動確認 - 修改後的設置隨即停止閃爍。

該程序將自動繼續運行。

如要變更正在運行的程序設置，還可以：

- 按下「啟動/暫停」鍵暫停程序。
- 變更所需設置。
- 再次按「啟動/暫停」鍵繼續運行程序。

## 7. 重新設置正在運行的程序 (如有需要)



- 按住電源「開/關」鍵，直到屏幕顯示該程序被取消。

## 8. 程序結束後關閉乾衣機



- 顯示器上顯示「結束」，按電源「開/關」鍵，以關閉乾衣機。打開機門並拿出機內衣物。
- 乾衣機將在程序結束的15分鐘後自動關閉，以節省能源。
- 如果程序結束後沒有立即關閉乾衣機，乾衣機將翻滾機內衣物大約10分鐘，以防止皺摺。顯示屏會顯示動畫。

## 9. 清空儲水盒/ 清洗機門過濾器/ 清洗底部過濾網

- 請參閱〈清潔和維護〉篇章

# 程序表

程序	衣物護理標識	建議乾衣量 (公斤)	直接可選擇			可選擇的選項鍵			預設程序時 (小時:分鐘)	
			乾衣程度	蒸氣選項	乾衣時間	清爽抗皺	輕柔	快速	程序時間	使用快速
棉質節能		最大							1:40	-
棉質		最大							1:50	1:42
混合衣物		2.0							1:20	-
合成纖維		3.5							0:55	-
纖細衣物		2.5							0:50	-
羊毛		1.0							0:05	-
牛仔布		3.0							1:20	-
大型物件	XXL	3.0							1:20	-
風乾		最大							0:15	-
蒸氣護理		1.5							0:30	-
乾衣時間		最大							0:10	-
襯衣		2.5							0:45	-
絲質		2.5							0:55	-
運動衣物		2.5							0:55	-
毛巾		5							2:00	1:52
戶外衣物		2							0:50	-
羽絨		1.5							1:10	-
少量衣物		1.0							0:30	-

✓ 可選擇

— 不可選擇/不適用

\* 偵測到乾衣量後會自動調整程序所需時間。

# 提示及應用

根據衣物上的護理標籤，以確保衣物於乾衣機內能被恰當處理。

## 乾衣衣物護理標籤

圓點表示乾衣的溫度程度



適合烘乾



適合低溫烘乾



不可烘乾

## 節約提示

- 以縮短乾衣時間，確保衣物通過高旋轉速度洗滌脫水，可減少衣物中的水分含量。
- 加載最大的衣物量能夠達至能源的最優化使用。

## 調整乾衣機水電導率

乾衣結果會受洗滌過程中使用的水之導電率影響。如果通過調整現有的乾衣程度 (熨燙乾衣，一般乾衣，額外乾衣) 仍達到最後的烘乾效果，可以調整水的導電率程度。本機預設為級別2級，可在1級(較潮濕的效果) 和5 (最乾燥的效果)之間選擇。請參閱〈選項，功能及指示燈〉及〈設定〉篇章。

# 程序

確保衣物於乾衣機內能被恰當處理。請參閱〈提示及應用〉中提及的衣物護理標籤。

## 棉質節能

標準棉質程序，適用於烘乾一般濕棉質衣物。  
乾燥棉質衣物的最佳耗電程序。屬能源標籤的參考程序。



## 棉質

適用於烘乾一般濕棉質衣物。

## 混合

適用於烘乾由棉、麻、人造纖維及其混合織物製成的衣物。



## 合成纖維

適用於烘乾一般的人造纖維衣物。



## 纖細衣物

適用於烘乾精緻面料製成，需要溫和呵護的衣物。



## 羊毛

適用於烘乾帶有羊毛標籤並標示可機洗的羊毛衣物。



## 牛仔布

適用於烘乾類似牛仔布堅固物料製成的棉質牛仔裝或衣物，如長褲，外套深色牛仔服裝。



## 大型物件

適用於烘乾如睡袋，可拆洗棉被。



## 風乾

衣物風乾，通風並鬆滾30分鐘，不加熱。



## 蒸氣護理

使用蒸氣以清新衣物。



專門設計，清新和去除潔淨的休閒服裝的異味。

如襯衫、女式襯衫、由棉、合成纖維及其混紡製成的的褲子。在裝入衣物於滾桶前，稍微用水噴灑加濕衣物(最多200毫升，使用水噴霧瓶)。對於此程序，乾衣程度「一般乾衣」是預先設定的，並且不能被改變。程序結束後，該衣物應立即取出，掛上衣架，以盡量減少皺摺。

## 乾衣時間

時間限制的烘乾程序。按此鍵以選擇程序持續時間。



適用於於所有適合烘乾的衣物物料。

適用於程序結束後添加一個額外的短烘乾階段。

詳情請參閱〈選項，功能及指示燈〉中提及〈乾衣時間〉篇章。

## 特別選項

要設置下列程序之一，選擇並長按3秒確認特別選項的位置。然後轉動旋鈕選擇以下程序之一；顯示屏顯示程序名稱。按下旋鈕以確認所需選項。



## 襯衣

適用於烘乾由棉質、合成纖維及混合纖維製成的襯衫、上衣。

## 毛巾

適用於烘乾厚大棉製成的衣物，如毛巾。

## 絲質

適用於溫和烘乾絲綢衣物。

## 運動衣物

適用於烘乾合成纖維或棉質製成的運動服裝。

## 戶外衣物

適用於烘乾可於乾衣機內能被恰當處理的戶外衣物。

## 羽絨

適用於烘乾厚大服裝，如羽絨服。

## 少量衣物

經濟少量衣物烘乾。

# 選項，功能及指示燈

並非所有選項都能選擇；不能配對的選項會自動關閉。

## 選項 - 控制面板的獨立選項

### 蒸氣選項

最大限度地減少由棉質、合成纖維及混合纖維製成的服裝皺摺，通過在乾衣程序結束時加濕衣物。

此選項適用於少量衣物載量。

程序結束後請立即從乾衣機卸載衣物，並把它們架於衣架。

濕度程度會自動調整到「一般乾衣」，並不能改變此選項。



### 乾衣時間

如果乾衣時間或風乾程序已被選擇，可調整所需的乾衣時間，按下按鍵，指示燈亮起，顯示屏上的乾衣時間符號指示燈亦會亮起。轉動旋鈕選擇所需的乾衣時間最高長達180分鐘，然後按下旋鈕進行確認。



### 乾衣程度

要選擇衣物負載所需的乾衣程度。按此鍵，直至指示燈亮起。轉動旋鈕選擇所需的乾衣程度。



熨燙乾衣 (在乾衣程序結束後需要熨燙的衣物，因此仍略顯潮濕)



一般乾衣 (足夠乾燥，將在乾衣程序結束後放入衣櫥)



額外乾衣 (最大乾衣程度)

按下旋鈕以確認所需選項。

以下選項可按「選項」鍵選擇：

### 清爽抗皺

有助於乾衣程序結束後無法即時取走衣物下，仍保持您的衣服清新。



乾衣機會在程序結束後定期翻滾幾分鐘。滾桶可在最長12小時內不時轉動。可隨時關閉乾衣機，中斷此功能。

### 輕柔

通過降低烘乾溫度使得更加柔和處理衣物。



### 快速

允許更快的烘乾。



### 功能：

#### 系統設定

以下的設定可以更改/選擇：

- 顯示語言/按鍵音/程序結束提示/顯示對比度/水導電率 (=洗滌水的適應電導率；調整範圍為1=較潮濕的效果，5 =最乾燥的效果) / 記住上次使用程序(如果設定為「關」，節能棉質為自動開關 - 這是開機選擇的默認程序) / 省電模式 (程序結束後自動關機功能) / 返回出廠設定。
- 按住「設定」鍵至少3秒鐘。
- 轉動旋鈕，選擇您欲選擇的設定，按下旋鈕確認。
- 轉動旋鈕更改設定，並通過按下旋鈕確認
- 要退出設定模式，可轉動旋鈕，直到顯示屏顯示可以退出，按下旋鈕確認或者按「設定」鍵。



### 兒童安全鎖

鎖定控制面板避免按下不必要的操作鍵和旋鈕。

注意及操作如下：

- 乾衣機必須處於開機狀態。
- 按住「選項」鍵，直到控制面板上的按鍵符號指示燈亮起。旋鈕和按鍵即被鎖定。只有「啟動/暫停」鍵可如常運作。
- 如果關閉乾衣機後並再次啟動，兒童安全鎖將仍然保持運作，直到您解開安全鎖才可繼續使用。



解鎖方法：

- 再次按住「選項」鍵至少3秒鐘，直到鑰匙符號燈熄滅。





**預校結束時間**

此功能可讓您延後程序的完成時間，選擇延遲最多至24小時。



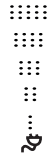
- 選擇程序和選項。
- 按「預校結束時間」鍵，鍵上符號的指示燈亮起。
- 轉動旋鈕選擇延遲1-24小時。按下旋鈕以確認所需的預校結束時間。
- 按下「啟動/暫停」鍵 - 倒數計時開始。顯示屏顯示「預校結束時間」已被設定。
- 該程序會自動啟動，並及時在預校時間結束前完成。程序開始時，顯示屏上會改為顯示至程序的剩餘時間。

**取消預校結束時間**

- 按「啟動/暫停」鍵取消預校結束時間；若要立即啟動所選程序，按下「啟動/暫停」鍵；
- 或按住「啟動/暫停」鍵以取消整個程序設置。

**指示燈****故障**

對於任何故障，請參見〈使用和保養指南〉中的故障排除篇章。

**耗電量顯示**

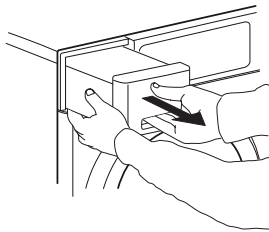
提供關於所選擇程序設定之電源耗用的粗略估計。程序設定預測耗用的電量越少，亮起的指示燈就越少。

## 清潔和維護

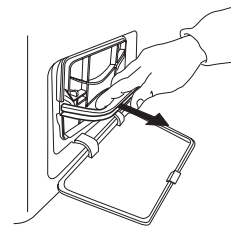
**執行任何清潔和維護前，請先關閉乾衣機和拔下插頭。注意，儲水盒內的水可能仍熱燙。**

**每次乾衣程序後清空儲水盒**

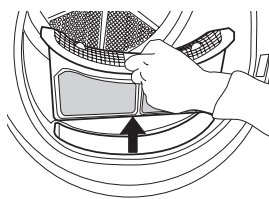
握住手柄並輕輕拉出儲水盒。用雙手保持滿水儲水盒。將水倒出，並將容器推回原位。請確保其正確安插。

**每五次乾衣程序後清潔底部過濾網**

打開底部的蓋片。握住手柄，拉出底部的過濾網。

**每次乾衣程序後清潔機門過濾器**

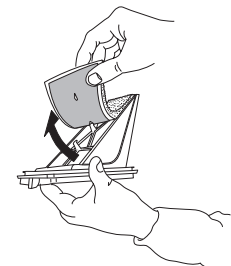
打開機門，向上拉出機門過濾器。



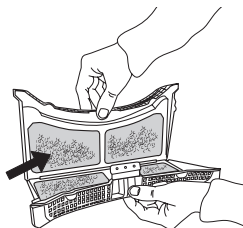
拆除底部過濾網內的海棉並清潔它。通過人手或在流水下清潔海棉和過濾網。

請不要使用洗衣機清洗過濾海棉。

擰乾過濾海棉。不要放置仍有水滴的過濾海棉於底部過濾網中。



按壓按鈕打開機門過濾器，清除裡面的塵埃雜質。關閉過濾器，並以正確方向重新裝上，使其完全置於過濾室。



放回過濾海棉於底部的過濾網。

清潔過濾室時，請用濕布或小心地用吸塵器清潔。

重新安插底部過濾網。把過濾器手柄還原下放，並關閉蓋片。



# 電源消耗資料表

程序	建議乾衣量 (公斤)	旋轉速度 (每分鐘)	濕度 (%)	耗電量 (千瓦小時)	乾衣時間 (分鐘)
棉質節能 	8	1000	60	1.45	209
	4	1000	60	0.82	131
棉質節能 	8	800	70	1.67	234
	8	1400	50	1.23	167
	8	800	70	1.23	216
棉質熨乾	8	1000	60	1.06	185
	8	1400	50	0.89	154
	8	800	70	1.23	216
合成纖維乾衣	3.5	1000	40	0.51	81

\*屬能源標籤及392/2012 /EU 規定標準的參考程序。

數值基於預設程序，潔淨的空氣和底部過濾器。  
對於消費者測試，機門過濾器 and 底部過濾網需要在每次程序後進行清潔。  
能源消耗和乾衣時間可以不同於上述的數值。

數值根據在您家中的運作條件(如電壓波動，混合紡織品，紡絲紡織品的濕度，負荷量)。  
數值是根據歐洲標準61121，並參考預設程序而決定，更改設定也會影響消耗數據。

## 維護和清潔及故障排除

有關維護和清潔及故障排除，請參閱〈使用和保養指南〉。

〈使用和保養指南〉可經以下途徑取得:

- 售後服務中心 - 請致電保用證上顯示的號碼
- 按照以下網址上的指引  
[www.whirlpool.com.hk](http://www.whirlpool.com.hk)



400010765919

Whirlpool®註冊商標/惠而浦集團的TM商標  
版權所有 翻印必究 - [www.whirlpool.com.hk](http://www.whirlpool.com.hk)

