



Range Hood Installation / User Manual

抽油煙機使用說明書

Model:INAC700W / INAC900W

Warning	1
Before using the hood	2
Installation	3
Hood measurement	4
Procedure & Mounting method	5
Mounting method	6 - 9
Hood Operation	9
Maintenance & Cleaning	10
Others & Specifications	11
Wiring diagram	12
警告	13
安裝前檢查	14
安裝守則	15
油機尺寸	16
安裝注意事項 & 吊掛方式	17
吊掛方式	18 - 21
功能簡介	21
保養與清潔	22
注意事項及警告標示 & 性能規格表	23
線路圖	24

WARNING


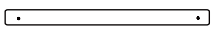
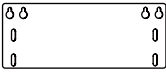




Important:

For safety purpose, you should read the instructions carefully before using the appliance for the first time. Save the instruction for future reference. The appliance is designed for domestic use and may only be installed and operated in accordance with these instructions for use.

1. Please follow the instruction in this user manual.
2. Unplug the power before doing maintenance job on the hood.
3. Wear rubber gloves when doing maintenance job on the hood.
4. Do not spray the hood with water directly.
5. When using the hood with flammable gas, please keep a good air flow in the kitchen to avoid hazard.
6. Do not burn directly under the range hood.
7. Do not share duct with other flammable gas pipes.
8. Children shall not play with the appliance.
Cleaning and user maintenance shall not be made by children without supervision.
9. There is a fire risk if cleaning is not carried out in a accordance with the instructions.
10. Do not flambe under the range hood.
11. Accessible parts may become hot when using with cooking appliances.
12. The air must not be discharged into a flue that is used for exhausting fumes from appliances burning gas or other fuels.
13. Regulations concerning the discharged of air have to be fulfilled.
14. If the supply cord is damaged, do not operate the appliance, it must be replaced by the manufacturer, its service agent or similarly qualified persons in order to avoid a hazard.
15. The appliances is not to be used by persons (including children), with reduced physical, sensory or mental capabilities, or lack of experience and knowledge, unless they have been given supervision or instruction.
16. Children being supervised not to play with the appliance.
17. Disconnect the power supply before cleaning, repairing, replacing light bulb or dismantling the range hood.
18. The appliance should be positioned 65 – 75 cm above the cooking range.
19. The range hood must be earthed.
20. There should be adequate ventilation in the room when the range hood is used along with appliance the burn gas.
21. To prevent fire hazard in case of oil build-up, the turbine impellers and other easily-soiled parts must be cleaned at least twice a month.

BEFORE USING THE HOOD

- Packing materials (plastic bags, polystyrene, etc.) must be kept out of children's reach, as they are potentially dangerous.
- Installation must be carried out by a qualified technician.
- Check the voltage on the rating plate which should corresponds to the voltage in your home.
- Connect the power and switch on the motors and lighting system to check the operation.
- Check the following accessories before installation:
 - a. Exhaust duct adapter (6" to 6" x 1 pc, 6" to 5" x 1 pc)
 - b. Detachable oil cup x 2 pcs, oil dish x 2 pcs
 - c. Light bulb x 1 pc
 - d. Warranty card x 1pc, Instruction manual x 1pc
 - e. Hardware package x 1 set

Hardware set	Q'ty	Picture	Purpose
Bracket	2pcs		For side mounting
Metal strip	2pcs		For side mounting
Bracket	1pc		For wall mounting
3/16"*1" screw	4pcs		For top mounting
3/16"*1/2" screw	8pcs		8pcs for side mounting or 4pcs for wall mount (attach the bracket to the machine back)
6#"*1 1/2" wooden screw	4pcs		For wall mounting (screws for fixing the machine on the wall)
M4*8 screw	2pcs		For fixing exhaust duct adaptor

INSTALLATION

1. Location

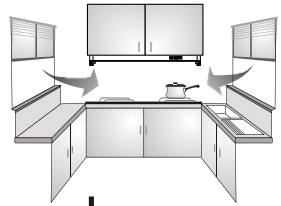
- Air turbulence from window/door may reduce the effectiveness of hood.
To suggest close window / door before use hood.
- The smoke has to rise up to 25 cm to be within the range of suction efficiency.

2. Position

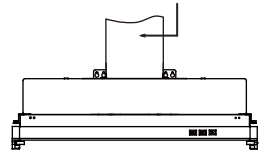
- The installation height is measured vertically from center of fan grille of hood to the top of the stove.
The minimum installation height should not be less than 650mm and the recommended height is 700 ± 50 mm.
- Avoid left-right or front-dropped inclination.

3. Exhaust duct

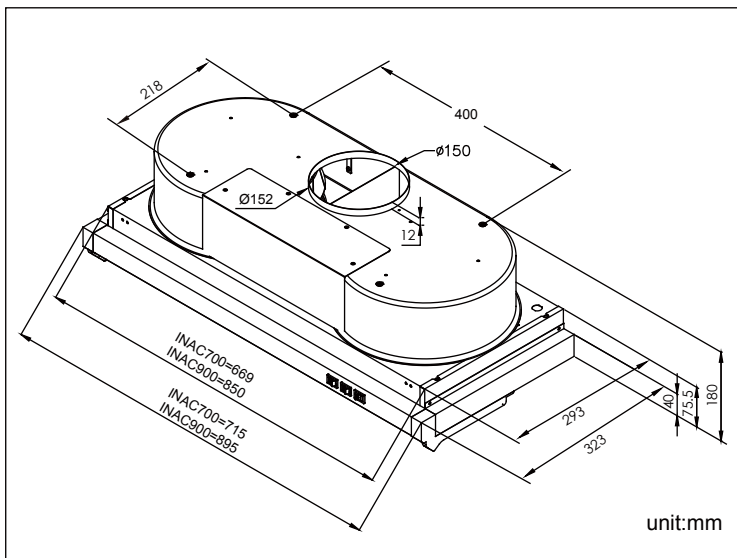
- 6-inch diameter exhaust duct is recommended to use in order to maximize suction efficiency. In case of 5 -inch exhaust duct, an adapter as enclosed in the packaging can be used.
- Before installing the hood, please apply fast drying glue to the collar and securely attach it to the top of the cooker hood's vent lid. Install the cooker hood and exhaust duct to the plastic collar and seal with fast drying glue.



Exhaust duct



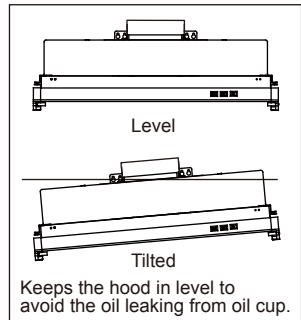
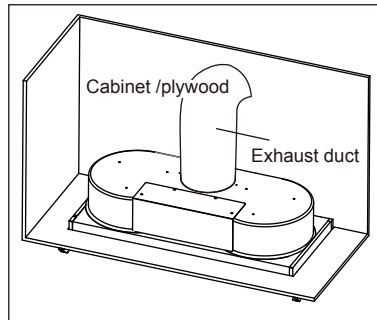
HOOD MEASUREMENT



INAC700W hood size: W 715 x D323 x H180 mm
INAC900W hood size: W 895 x D323 x H180 mm

PROCEDURE

1. Find a suitable installation position of hood which should be next to a window and can be cut to let the exhaust duct pass through. Mark the location of exhaust outlet hole, the cut/drill the hole with care.
2. If the exhaust duct has to pass through the wall, particular attention must be paid to the structure of the wall as steel reinforcement may be embedded.
3. Adjust the hanging hooks on both sides of the hood and hang the hood on the steel nails, and then adjust the hood from side to side and from front and back to a horizontal position.
4. Follow the instruction print on the enclosed exhaust duct adapter and connect the exhaust duct adapter to the hood and window/wall 5-inch or 6-inch duct can be used.



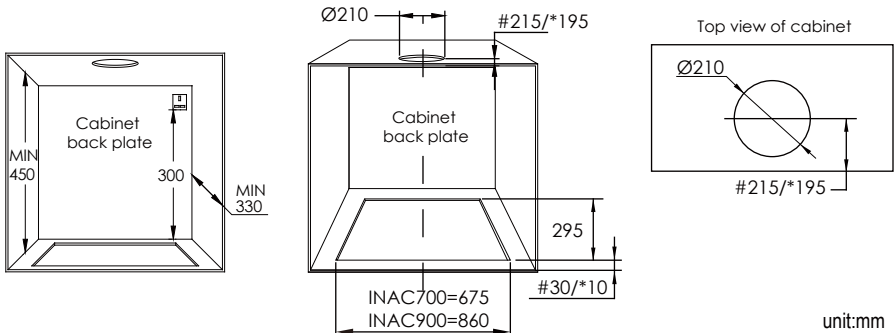
MOUNTING METHOD

Cabinet cut-out size

Built-in hood is designed for installing under a kitchen cabinet. Below cut-out size is for side mounting.

Installation dimension of the hood to align with the housing of kitchen cabinet

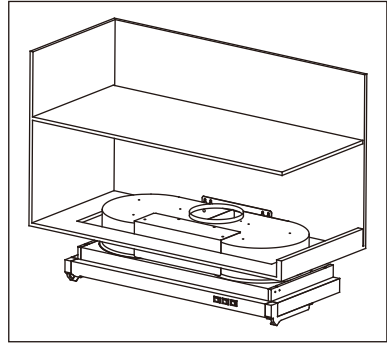
* Installation dimension of the hood to align with the door of the kitchen cabinet



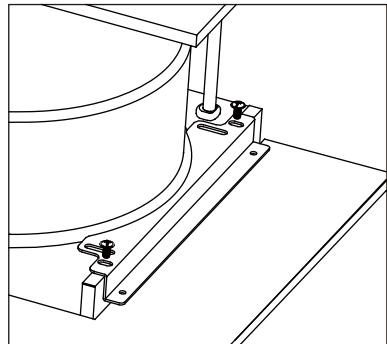
MOUNTING METHOD

A. Side mounting

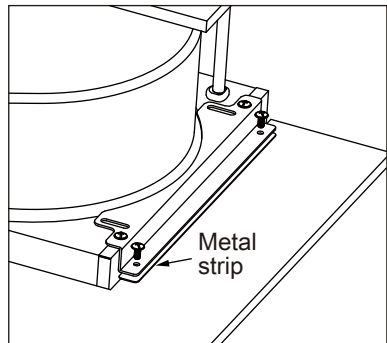
1. Put the hood in cabinet.



2. Secure the two side brackets with four $3/16" \times 1/2"$ screws (two for each side) to the hood. Make sure the wooden board of cabinet is clip properly between side brackets and hood.



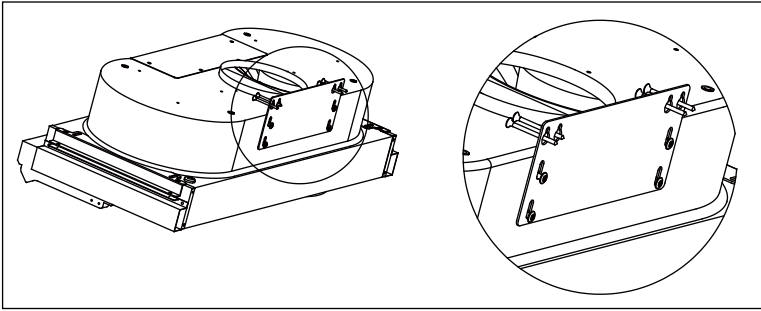
3. Put the metal strip between side brackets and wooden board of cabinet to avoid the wooden board break after installation. Tighten four $3/16" \times 1/2"$ screws (two for each side) to secure hood to cabinet.



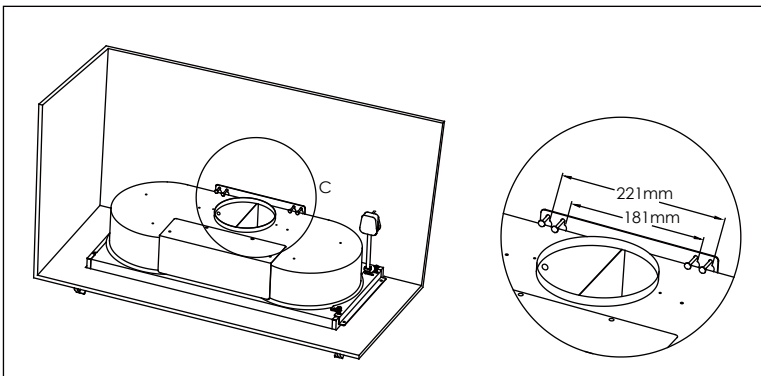
MOUNTING METHOD

B. Wall mounting

1. Fix the position of hood and mark the position of the two hanging hooks. Secure the wall bracket with four $\frac{3}{16}$ " \times $\frac{1}{2}$ " screws. Fasten the hanging bracket to the wall by four $6\# \times 1 \frac{1}{2}$ " wooden screws from the fixed holes to avoid of being hanged up by accident.



2. Temporarily position the range hood in the desired mounting location. Measure and mark the mounting holes. Fasten hood onto cabinet with four $6\# \times 1 \frac{1}{2}$ " wooden screws.

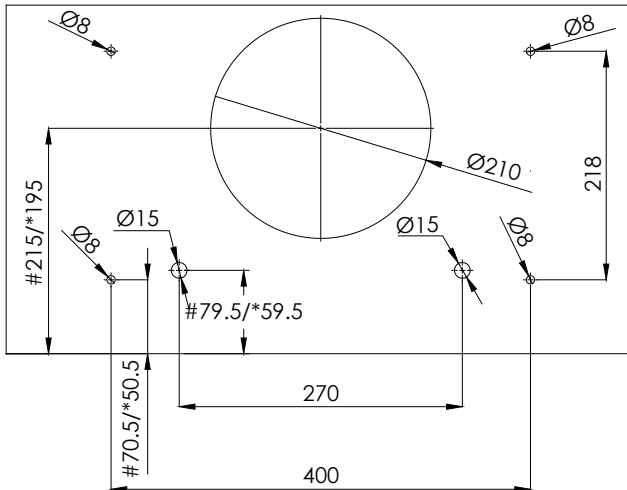


MOUNTING METHOD

C. Top mounting

1. Follow the below diagram to drill/cut out the required openings for ducting and mounting. Four $\text{Ø}8$ holes are for top mounting. Two $\text{Ø}15$ holes are for removing the cover of electrical assembly above the hood (this is for maintenance or repair purpose). One $\text{Ø}210$ is for installing collar.

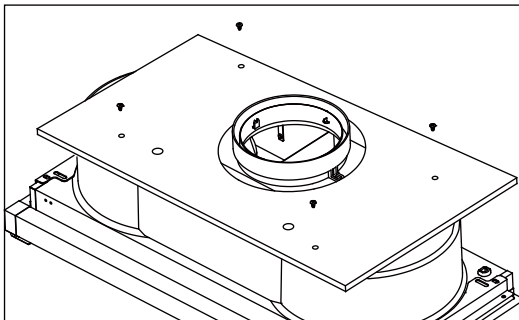
- # Installation dimension of the hood to align with the housing of kitchen cabinet
- * Installation dimension of the hood to align with the door of the kitchen cabinet



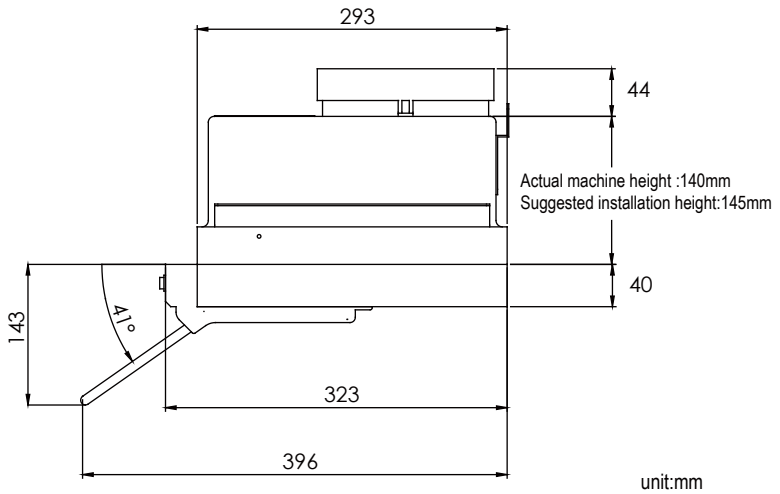
unit:mm

2. Use four $3/16 \times 1$ screws to secure the hood to the cabinet. Lift hood screws located on the cabinet and lock into place. Tighten each screw to secure the hood to the cabinet.

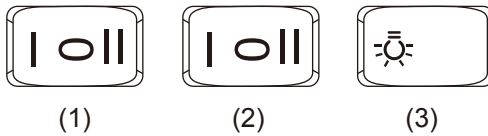
Note: Please refer to below dimension diagram to measure and adjust the height of cabinet (see next page).



MOUNTING METHOD



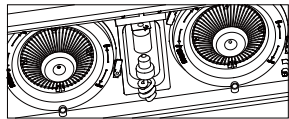
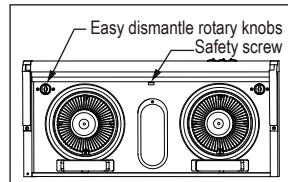
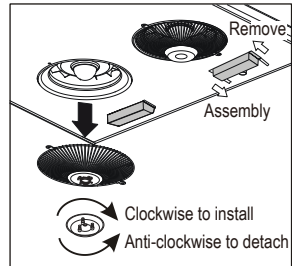
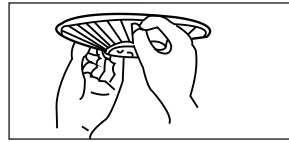
HOOD OPERATION



- (1) Left fan speed adjust.
I is low speed, II is high speed, O is off.
- (2) Right fan speed adjust.
I is low speed, II is high speed, O is off.
- (3) Light.
☀️ is light on, another side is light off.

MAINTENANCE & CLEANING

1. Always disconnect from power supply before cleaning.
2. Clean both exterior and interior of the hood after long lasting.
3. Fan protection grille can be detached for cleaning by removing the screws with a screwdriver. It must be reinstalled after cleaned.
4. Oil dish on the grille can also be detached for cleaning by turning the dish anti-clockwise.
5. The oil cup in the centre of the hood for holding grease can be detached and cleaned regularly.
6. Make a habit to turn on the hood before using stove to avoid high heat in the kitchen.
7. The two easy dismantle rotary knobs are set bottom panel, please turn them anti-clockwise to "—" then loosen safety screw to dismount the bottom panel. It is easy to clean and repair. To turn easy dismantle rotary knobs to " | " and fasten the safety screw to set bottom panel back.
8. Please must disconnect power before installing light bulb. To refer Item 7 to dismount bottom panel and then fasten/loosen light bulb with socket.
Note: Only replace no more than 14W light bulb. And light bulb **MUST** be equipped with international safety mark.



OTHERS

1. Repair service including replacement of main cord should only be carried out by manufacturer, its service agent or a qualified technician. It is dangerous for anyone other than the above mentioned people to perform repair service.
2. Hazardous smoke/fume generated from burning Town gas/L.P. gas or/and cooking must be discharged outside the kitchen through the exhaust pipe.
3. Air ventilation inside kitchen must be maintained in good condition when using the hood.
4. It is dangerous if cleaning is not carried out in accordance with the instructions specified in this user manual.
5. Do not directly flame the range hood.
6. During installation, power supply must be disconnected.

SPECIFICATIONS

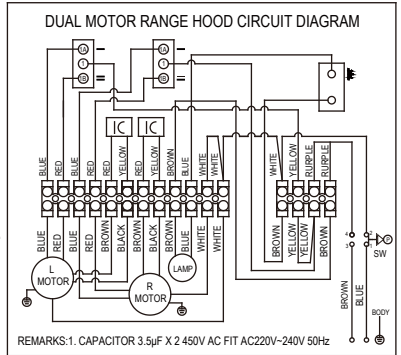
Model	INAC700W	INAC900W
Hood Weight	12.1KGS	13.3KGS
Packing Weight	15.1KGS	16.3KGS
Hood Size	W 715 x D 323 x H180mm	W 895 x D 323 x H180mm
Packing Size	W 820 x D 460 x H300mm	W 1020 x D 460 x H300mm
Voltage	220-240V / 50Hz	
Light Bulb	Max 14W. energy saving bulb	

WIRING DIAGRAM



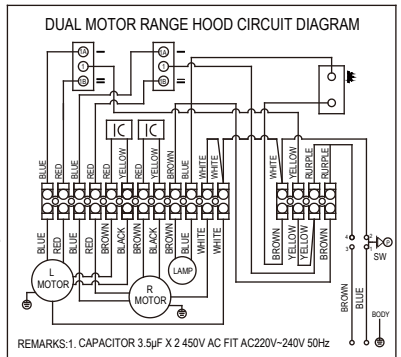
Model	INAC700W
Voltage	220V-240VAC 50Hz
Power consumption	
Total:	250W
Lamp:	14W Max.
Fan:	236W

Serial No.
Date of mfr.



Model	INAC900W
Voltage	220V-240VAC 50Hz
Power consumption	
Total:	250W
Lamp:	14W Max.
Fan:	236W

Serial No.
Date of mfr.



警告

重要說明


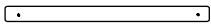





為安全起見，初次使用產品前請先細閱本說明書，並保存本說明書，以便作參考之用。

本產品只供家居使用，請必須依照本說明書內的指示安裝及操作。

1. 請依照本說明書內的指示安裝及操作。
2. 維修抽油煙機前，請務必切斷電源。
3. 維修抽油煙機時，請戴上橡膠手套。
4. 請勿直接噴水在抽油煙機上。
5. 當與易燃氣體一起使用時，廚房請保持良好的通風，以避免危險。
6. 不可在抽油煙機下方直接燃燒。
7. 請勿與其他易燃氣體共用排氣通道。
8. 孩童不可玩耍此抽油煙機。且不可在無人監督下操作此抽油煙機。
9. 若未依此說明書執行清潔可能產生危險或引起火災。
10. 不可在抽油煙機下方點燃酒精等易燃物品。
11. 在煮食過程部份零配件有可能會變燙。
12. 排出的油煙不得藉由瓦斯或其他燃料之排氣通道釋出。
13. 排出的油煙程序需符合相關的排放空氣法規。
14. 若電源線損壞，請勿操作抽油煙機。必須由製造廠或服務處或具有類似資格的技術人員更換以避免危險。
15. 不可使用此抽油煙機的人:生理、感官或心智能力不足(包括兒童)，或缺乏相關經驗和知識。除非他們是在被監督或有其他具相關訓練的人員指導下方可使用。
16. 孩童不可玩耍此抽油煙機。並應在監督下操作此抽油煙機。
17. 清潔、維修抽油煙機或更換燈膽前或卸下抽油煙機前請切斷電源。
18. 此抽油煙機需安裝於煮食爐上方65~75厘米處。
19. 此抽油煙機必須接地。
20. 當此抽油煙機與易燃氣體一起使用時，房間內需有充份的通風。
21. 為避免抽油煙機積油產生危險或引起火災，每月至少清洗兩次保護網、扇葉和其他容易積油的零配件。

安裝前檢查

- 包裝材料(如:塑膠袋、發泡膠等)有潛在性的危險請勿讓孩童接觸。
- 請由受過專業訓練的技術人員進行安裝。
- 安裝前請確認規格線路標籤上所列示的電壓符合您家的電壓。
- 安裝前燈膽後接上電源，檢查照明、摩打及開關是否正常。
- 安裝前檢查下列附件：
 - a. 風管圈 (6"轉 6" 1個、6"轉5" 1個)
 - b. 油杯2個、小油盤2個
 - c. 燈膽1 個
 - d. 保證卡1張、說明書1本
 - e. 螺絲包1組

螺絲包內容物	數量	圖片	用途
側吊掛片	2片		側吊掛用
側吊掛片用長條金屬墊片	2片		側吊掛用
掛牆吊掛片	1片		掛牆吊掛用
3/16"*1" 螺絲	4個		上吊掛用
3/16"*1/2" 螺絲	8個		側吊掛使用8個,掛牆吊掛使用4個(將掛牆吊掛片鎖固在油煙機上用的螺絲)
6#"*1 1/2"木螺絲	4個		掛牆吊掛用(將油煙機吊掛於牆上用的螺絲)
M4*8" 螺絲	2個		鎖固風管圈

安裝守則

1. 周圍環境

- 抽油煙機安裝位置如在窗上或附近有太多門窗，請在開動抽油煙機前先關閉門窗。
- 建議油煙上升至25厘米以上，抽油煙機始能充份發揮抽油煙效果。



2. 安裝高度和機體位置

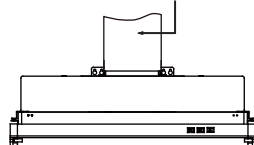
- 抽油煙機安裝高度，自本機底板至瓦斯爐面之距離以 700 ± 50 毫米為最理想。
- 機體應保持左、右水平，避免油杯積油溢出。



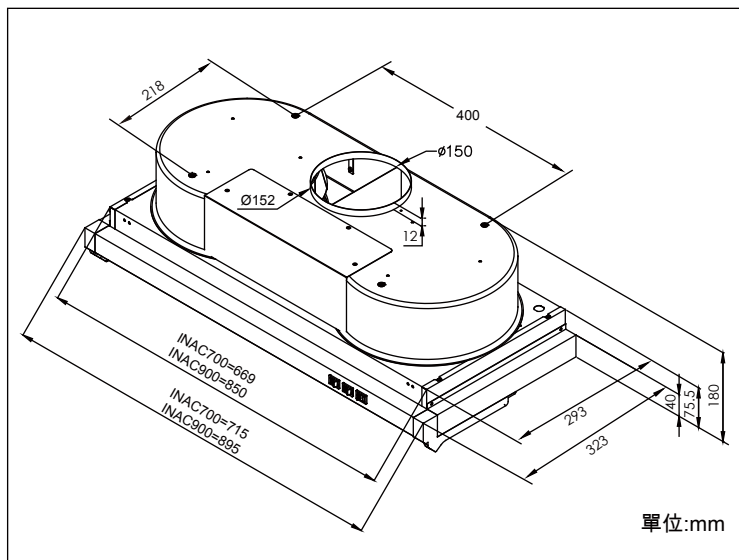
3. 排風管

- 排風管必須配合本機出風管接頭之直徑(6吋)及避免太多彎位，以免影響抽風效果。若為5吋出風管，請使用附件的轉換風管圈。
- 安裝前先以強力膠注入風管圈後將風管嵌入，再用強力膠接合排風管與風管圈。

排風管



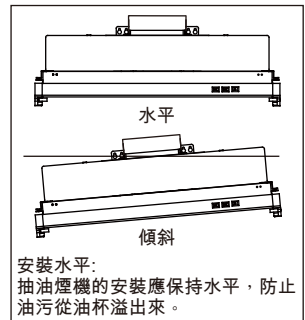
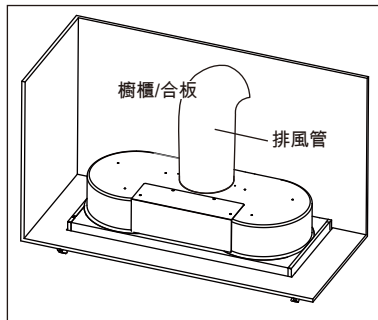
油機尺寸



INAC700W 油機尺寸: 寬 715 x 深 323 x 高 180 mm
INAC900W 油機尺寸: 寬 895 x 深 323 x 高 180 mm

安裝注意事項

1. 排氣管的理想安裝位置為於爐台正對窗戶安裝，可敲下一方玻璃，安裝一塊穿有彎管孔大的合板，排氣管由此孔穿出，絕不損壞壁面。
2. 若排風管為鑽穿牆洞，鑽洞時應要留意牆壁結構和質料，切勿破壞牆洞以外之壁面。
3. 調整機體兩側之掛鈎(吊鐵)，將機體懸掛於螺絲釘上。懸掛後，機體要保持一定水平。
4. 照已選好排氣管的適當位置，選擇適當長度的直管進行裝設。

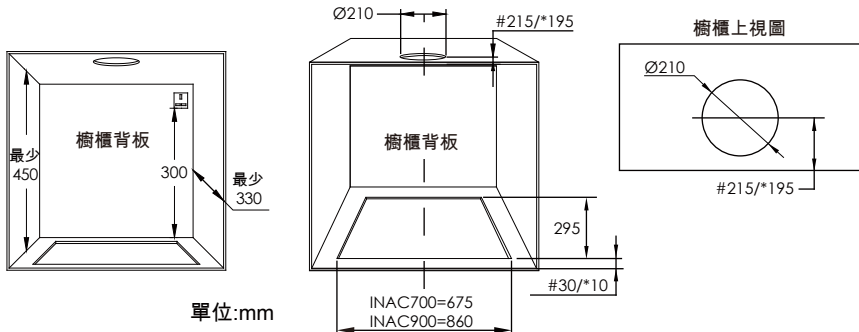


吊掛方式

櫥櫃開口尺寸

內置式抽油煙機是設計安裝於櫥櫃內。下列開口尺寸為側吊掛用。

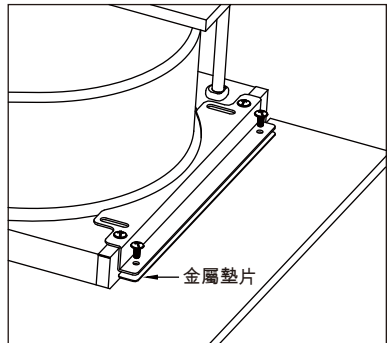
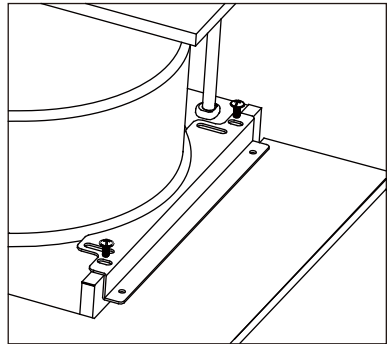
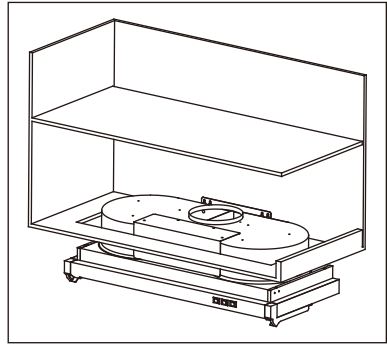
平櫥櫃身安裝尺寸 / * 平櫥櫃門板安裝尺寸



吊掛方式

A. 側吊掛

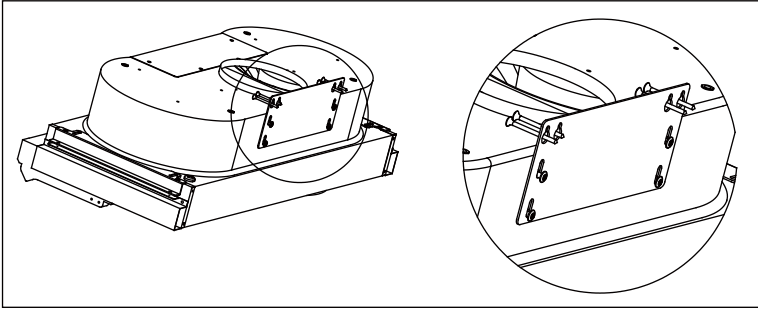
1. 將抽油煙機推至櫥櫃內。
2. 用四支 $3/16 \times 1/2$ "螺絲(兩邊各兩支)將側吊掛片鎖在抽油煙機上。確認櫥櫃木板是被夾持在側吊掛片和抽油煙機之間。
3. 將金屬墊片置於側吊掛片和櫥櫃木板之間，防止櫥櫃木板在安裝過程破裂。鎖上四支 $3/16 \times 1/2$ "螺絲(兩邊各兩支)，將抽油煙機固定於櫥櫃上。



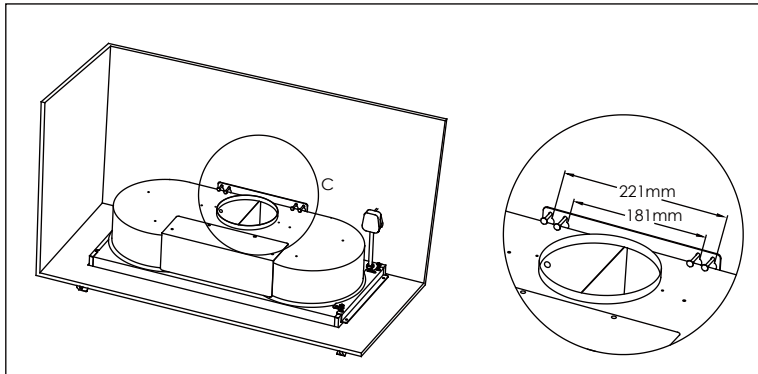
吊掛方式

B. 掛牆吊掛

1. 使用四支3/16"×1/2"螺絲將後吊掛片鎖在抽油煙機背面。



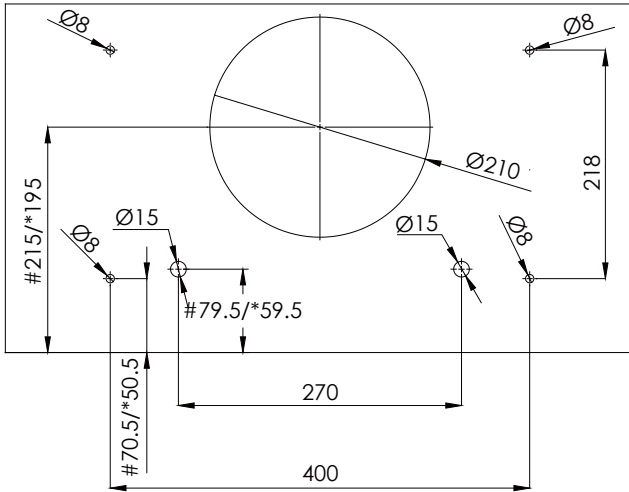
2. 先要在要吊掛的位置做記號。再將四支6#×1 1/2"螺絲鎖在牆壁上，並將抽油煙機吊掛後，鎖緊木螺絲。



吊掛方式

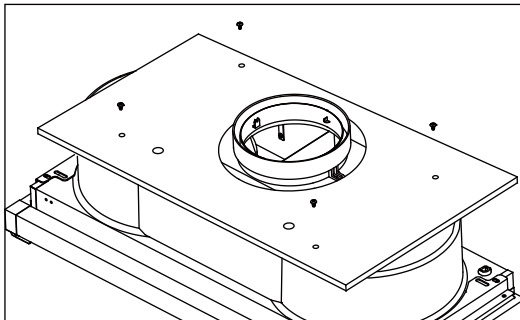
C. 上吊掛

1. 依據下方圖片在櫥櫃木板進行開口。
4個 $\text{Ø}8$ 孔是用於上吊掛、2個 $\text{Ø}15$ 是用於取下前方罩板(維修線路時需取下)、1個 $\text{Ø}210$ 是用於安裝風管圈。
#平櫥櫃身安裝尺寸 / *平櫥櫃門板安裝尺寸

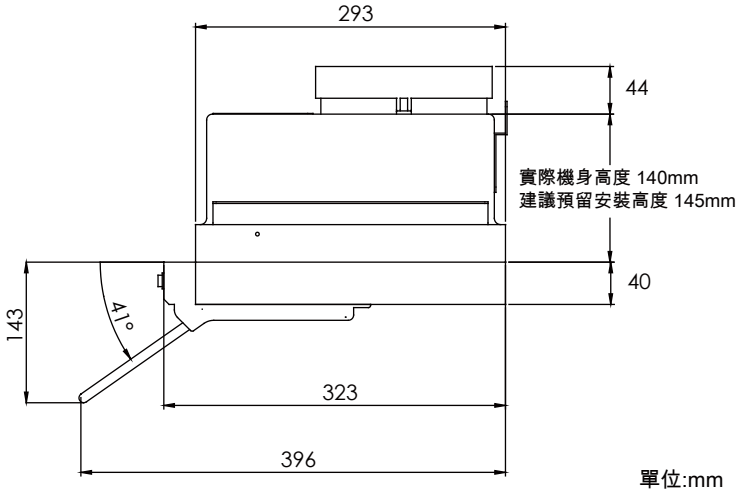


單位:mm

2. 使用四支 $3/16" \times 1"$ 螺絲，將抽油煙機固定於櫥櫃上。將抽油煙機推至櫥櫃並將各個螺絲鎖緊。注意:請參考下頁的油煙機尺寸圖去調整櫥櫃高度。



吊掛方式



功能簡介



(1)

(2)

(3)

(1) 左風扇速度調整鍵

I 為低速、II 為高速、O 為關閉左風扇

(2) 右風扇速度調整鍵

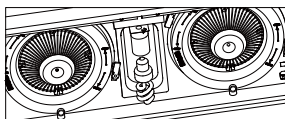
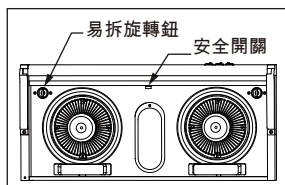
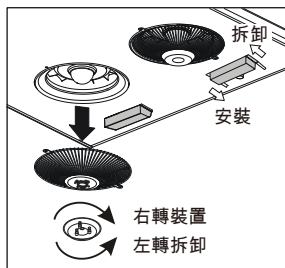
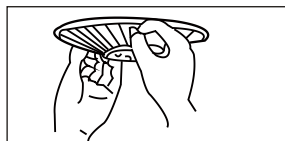
I 為低速、II 為高速、O 為關閉右風扇

(3) 照明

☀️ 為開啟照明、另一邊為關閉照明

保養與清潔

1. 清潔前，務必要切斷電源。
2. 定期清潔抽油煙機的內外側，可以保持抽油煙機壽命。
3. 使用螺絲起子可拆卸風扇保護網的螺絲取下保護網進行清洗。完成後，必須重新裝回原位。
4. 按逆時針方向旋轉可取下保護網的小油盤進行清潔。完成後，按順時針方向旋轉，即可重新裝回。
5. 抽油煙機的小油盤可拆卸作定期清潔。
6. 在開啟煮食爐前，請先開啟抽油煙機，以免廚房溫度過高。
7. 煙罩有兩個易拆旋鈕，請將旋鈕逆時針旋轉至“—”後，再將安全開關螺絲旋鬆，即可將煙罩底板卸下，以便於維修及清潔。完成後將煙罩底板蓋上裝回原位，並將旋鈕順時針旋轉至“|”後，將安全開關旋緊。
8. 安裝及更換燈膽前，務必先切斷電源參考上述第7項步驟將煙罩底板卸下，再將燈膽旋緊或卸下燈座。
注意：請使用14W或以下的燈膽。而且，燈膽必須附有國際安全標誌。



注意事項及警告標示

1. 維修服務或電源線損壞時，必須由製造廠或其服務處或具有類似資格的技術人員更換以避免危險。若非專業人員或受過專業訓練者請勿自行維修或更換。
2. 排出的氣體不得藉由瓦斯或其他燃料之排氣通道釋出。
3. 當抽油煙機與瓦斯或其他燃料同時使用時，室內應有良好的通風。
4. 若未依說明書持行清潔或操作可能產生危險或可能引起火災。
5. 不可在抽油煙機下方直接燃燒。
6. 安裝抽油煙機前，務必先切斷電源。

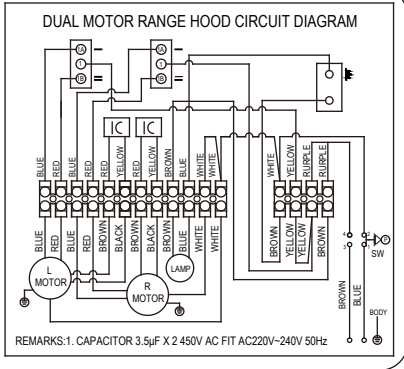
性能規格表		
機型	INAC700W	INAC900W
機器重量	12.1千克	13.3千克
包裝重量	15.1千克	16.3千克
機器尺寸	寬 715 x 深 323 x 高 180毫米	寬 895 x 深 323 x 高 180毫米
包裝尺寸	寬 820 x 深 460 x 高 300毫米	寬 1020 x 深 460 x 高 300毫米
電壓	220-240V / 50Hz	
燈膽	最大 14W 慳電燈膽	

線路圖



Model	INAC700W
Voltage	220V-240VAC 50Hz
Power consumption	
Total:	250W
Lamp:	14W Max.
Fan:	236W

Serial No.
Date of mfr.



Model	INAC900W
Voltage	220V-240VAC 50Hz
Power consumption	
Total:	250W
Lamp:	14W Max.
Fan:	236W

Serial No.
Date of mfr.

