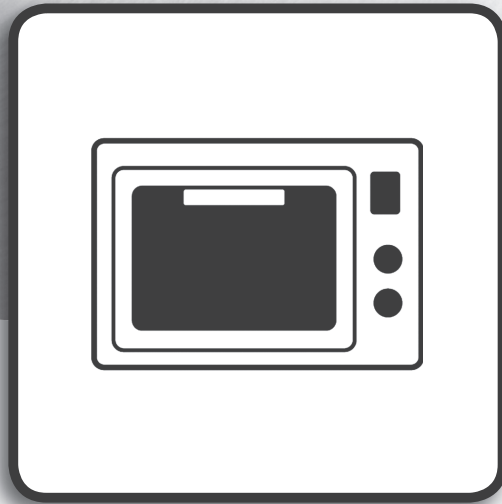


Whirlpool



Health & Safety and **Use & Care** guide
產品安全指引及使用說明指南

Model 產品型號：**MWF 800**



www.whirlpool.com.hk

Please read these instructions carefully before installing and operating the oven.
 Record in the space below the SERIAL NO. found on the nameplate on your oven and retain this information for future reference.
 SERIAL NO.

PRECAUTIONS TO AVOID POSSIBLE EXPOSURE TO EXCESSIVE MICROWAVE ENERGY	
1.	Do not attempt to operate this oven with the door open since open door operation can result in harmful exposure to microwave energy. It is important not to defeat or tamper with the safety interlocks.
2.	Do not place any object between the oven front face and the door or allow soil or cleaner residue to accumulate on sealing surfaces.
3.	Do not operate the oven if it is damaged. It is particularly important that the oven door close properly and that there is no damage to the <ul style="list-style-type: none"> a. Door (bent), b. Hinges and latches (broken or loosened), c. Door seals and sealing surfaces.
4.	The oven should not be adjusted or repaired by anyone except properly qualified service personnel.

CONTENT

PRECAUTIONS TO AVOID POSSIBLE EXPOSURE TO EXCESSIVE MICROWAVE ENERGY	1
IMPORTANT SAFETY INSTRUCTIONS	2
SPECIFICATIONS	4
INSTALLATION	4
RADIO INTERFERENCE	4
MICROWAVE COOKING PRINCIPLES	5
GROUNDING INSTRUCTIONS.....	5
BEFORE YOU CALL FOR SERVICE	5
UTENSILS GUIDE	6
PART NAMES	6
CONTROL PANEL	7
Power/Action Selector	7
Timer Knob.....	7
Microwave Cooking	7
OPERATION	8
CLEANING AND CARE	8

IMPORTANT SAFETY INSTRUCTIONS

When using electrical appliance basic safety precautions should be followed, including the following:

WARNING: To reduce the risk of burns, electric shock, fire, injury to persons or exposure to excessive microwave energy:

1. Read all instructions before using the appliance. Carefully and keep for future reference.
2. Use this appliance only for its intended use as described in this manual. Do not use corrosive chemicals or vapors in this appliance. This type of oven is specifically designed to heat, cook or dry food. It is not designed for industrial or laboratory use.
3. Do not operate the oven when empty.
4. Do not operate this appliance if it has a damaged cord or plug, if it is not working properly or if it has been damaged or dropped. If the supply cord is damaged, it must be replaced by the manufacturer or its service agent or a similarly qualified person in order to avoid a hazard
5. **WARNING:** Only allow children to use the oven without supervision when adequate instructions have been given so that the child is able to use the oven in a safe way and understands the hazards of improper use.
6. To reduce the risk of fire in the oven cavity:
 - a) When heating food in plastic or paper container, keep an eye on the oven due to the possibility of ignition.
 - b) Remove wire twist-ties from paper or plastic bags before placing bag in oven.
 - c) If smoke is observed, switch off or unplug the appliance and keep the door closed in order to stifle any flames.
 - d) Do not use the cavity for storage purposes. Do not leave paper products, cooking utensils or food in the cavity when not in use.
7. **WARNING:** Liquid or other food must not be heated in sealed containers since they are liable to explode.
8. Microwave heating of beverage can result in delayed eruptive boiling, therefore care has to be taken when handle the container.
9. Do not fry food in the oven. Hot oil can damage oven parts and utensils and even result in skin burns.
10. Eggs in their shell and whole hard-boiled eggs should not be heated in microwave ovens since they may explode even after microwave heating has ended.
11. Pierce foods with heavy skins such as potatoes, whole squashes, apples and chestnuts before cooking.
12. The contents of feeding bottles and baby jars should be stirred or shaken and the temperature should be checked before consumption in order to avoid burns.
13. Cooking utensils may become hot because of heat transferred from the heated food. Potholders may be needed to handle the utensil.
14. Utensils should be checked to ensure that they are suitable for use in microwave oven.
15. **WARNING:** It is hazardous for anyone other than a trained person to carry out any service or repair operation which involves the removal of any cover which gives protection against exposure to microwave energy.
16. This appliance is not intended for use by persons (including children) with reduced physical, sensory or mental capabilities, or lack of experience and knowledge, unless they have been given supervision or instruction concerning use of the appliance by a person responsible for their safety.
17. Children should be supervised to ensure that they do not play with the appliance.
18. The microwave oven is only used in freestanding.
19. **WARNING:** Do not install oven over a range cooktop or other heat-producing appliance. if installed could be damaged and the warranty would be avoid .

20. The accessible surface may be hot during operation.
21. The microwave oven shall not be placed in a cabinet unless it has been tested in a cabinet.
22. For microwave ovens having an additional decorative door, and for microwave ovens intended to be used in a cabinet, the instructions for use shall state that the microwave oven must be operated with the decorative door open.
23. The door or the outer surface may get hot when the appliance is operating.
24. The temperature of accessible surfaces may be high when the appliance is operating.
25. The appliance shall be placed against a wall .
26. **WARNING:** If the door or door seals are damaged, the oven must not be operated until it has been repaired by a competent person.
27. The instructions shall state that appliances are not intended to be operated by means of an external timer or separate remote-control system.
28. Never remove the distance holder in the back or on the sides, as it ensures a minimum distance from the wall for air circulation.
29. Please secure the turn table before you move the appliance to avoid damages.
30. **Caution:** It is dangerous to repair or maintain the appliance by no other than a specialist because under these circumstances the cover have to be removed which assures protection against microwave radiation. This applies to changing the power cord or the lighting as well. Send the appliance in these cases to our service centre.
31. The microwave oven is intended for defrosting, cooking and steaming of food only.
32. **Caution!** Steam will escape, when opening lids or wrapping foil.
33. Only use the temperature probe recommended for this oven (for appliances having a facility to use a temperature-sensing probe).

SPECIFICATIONS

Power Consumption:	230V~50Hz, 1400W(Microwave)
Rated microwave power output:	900W
Operation Frequency:	2450MHz
Oven Capacity:	23 Liters

INSTALLATION

1. Make sure that all the packing materials are removed from the inside of the door.
2. This microwave oven must be placed on a flat, stable surface to hold its weight and the heaviest food likely to be cooked in the oven.
3. Do not place the oven where heat, moisture, or high humidity are generated, or near combustible materials.
4. For correct operation, the oven must have sufficient airflow. Allow 20cm of space above the oven, 10cm at back and 5cm at both sides. Do not cover or block any openings on the appliance. Do not remove feet.
5. Do not operate the oven without glass tray, roller support, and shaft in their proper positions.
6. Make sure that the power supply cord is undamaged and does not run under the oven or over any hot or sharp surface.
7. The socket must be readily accessible so that it can be easily unplugged in an emergency.
8. Do not use the oven outdoors.

RADIO INTERFERENCE

Operation of the microwave oven can cause interference to your radio, TV, or similar equipment.

When there is interference, it may be reduced or eliminated by taking the following measures:

1. Clean door and sealing surface of the oven.
2. Reorient the receiving antenna of radio or television.
3. Relocate the microwave oven with respect to the receiver.
4. Move the microwave oven away from the receiver.
5. Plug the microwave oven into a different outlet so that microwave oven and receiver are on different branch circuits.

MICROWAVE COOKING PRINCIPLES

1. Arrange food carefully. Place thickest areas towards outside of dish.
2. Watch cooking time. Cook for the shortest amount of time indicated and add more as needed. Food severely overcooked can smoke or ignite.
3. Cover foods while cooking. Covers prevent spattering and help foods to cook evenly.
4. Turn foods over once during microwave cooking to speed cooking of such foods as chicken and hamburgers. Large items like roasts must be turned over at least once.
5. Rearrange foods such as meatballs halfway through cooking both from top to bottom and from the center of the dish to the outside.

GROUNDING INSTRUCTIONS

This appliance must be grounded. This oven is equipped with a cord having a grounding wire with a grounding plug. It must be plugged into a wall receptacle that is properly installed and grounded. In the event of an electrical short circuit, grounding reduces risk of electric shock by providing an escape wire for the electric current. It is recommended that a separate circuit serving only the oven be provided. Using a high voltage is dangerous and may result in a fire or other accident causing oven damage.

WARNING Improper use of the grounding plug can result in a risk of electric shock.

Note:

1. If you have any questions about the grounding or electrical instructions, consult a qualified electrician or service person.
2. Neither the manufacturer nor the dealer can accept any liability for damage to the oven or personal injury resulting from failure to observe the electrical connection procedures.

The wires in this cable main are colored in accordance with the following code:

Green and Yellow = EARTH

Blue = NEUTRAL

Brown = LIVE

BEFORE YOU CALL FOR SERVICE

If the oven fails to operate:

1. Check to ensure that the oven is plugged in securely. If it is not, remove the plug from the outlet, wait 10 seconds, and plug it in again securely.
2. Check for a tripped main circuit breaker. If these seem to be operating properly, test the outlet with another appliance.
3. Check to ensure that the control panel is programmed correctly and the timer is set.
4. Check to ensure that the door is securely closed engaging the door safety lock system. Otherwise, the microwave energy will not flow into the oven.

IF NONE OF THE ABOVE RECTIFIES THE SITUATION, THEN CONTACT SERVICE CENTER. DO NOT TRY TO ADJUST OR REPAIR THE OVEN YOURSELF.

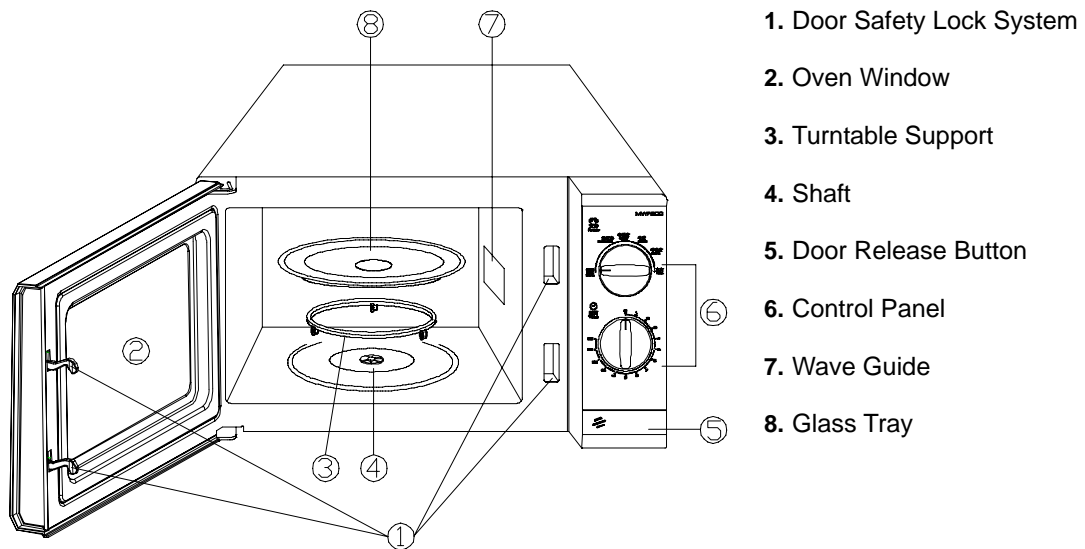
UTENSILS GUIDE

1. The ideal material for a microwave utensil is transparent to microwave, it allows energy to pass through the container and heat the food.
2. Microwave cannot penetrate metal, so metal utensils or dishes with metallic trim should not be used.
3. Do not use recycled paper products when microwave cooking, as they may contain small metal fragments which may cause sparks and/or fires.
4. Round /oval dishes rather than square/oblong ones are recommend, as food in corners tends to overcook.
5. Narrow strips of aluminum foil may be used to prevent overcooking of exposed areas. But be careful don't use too much and keep a distance of 1 inch (2.54cm) between foil and cavity.

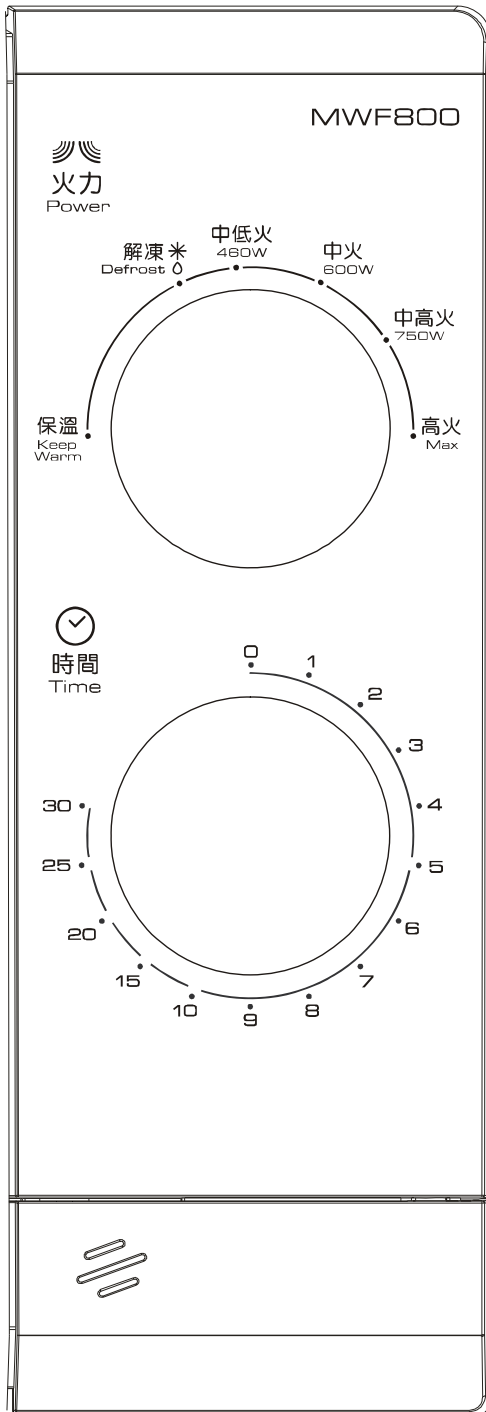
The list below is a general guide to help you select the correct utensils.

COOKWARE	MICROWAVE
Heat-Resistant Glass	Yes
Non Heat-Resistant Glass	No
Heat-Resistant Ceramics	Yes
Microwave-Safe Plastic Dish	Yes
Kitchen Paper	Yes
Metal Tray	No
Metal Rack	No
Aluminum Foil & Foil Containers	No

PART NAMES



CONTROL PANEL



The control panel consists of two function operators. One is a timer knob, and another a power knob.

POWER/ACTION SELECTOR

You use this operator knob to choose a cooking power level. It is the first step to start a cooking session.

TIMER KNOB

Offers visual timing settings at easy turn of your thumb to select a desired cooking time up to 30 minutes per cooking session.

MICROWAVE COOKING

For pure microwave cooking, there are six power levels from which to choose one as best fit to do the job at hand.

Power level increases with the knob turning clockwise. The power levels can be classified as the following:

	Power Output	Description
1	100%	HIGH
2	85%	M.HIGH
3	66%	MED
4	48%	M.LOW
5	40%	DEFROST
6	17%	KEEP WARM

OPERATION

To start a cooking session,

1. Place food in oven and close the door.
2. Turn Power Selector to select a power level.
3. Use Timer knob to set a cooking time

NOTE:

As soon as the timer is turned, oven starts cooking.

When selecting time for less than 2 minutes,

turn timer past 2 minutes and then return to the correct time.

CAUTION: ALWAYS RETURN TIMER BACK TO ZERO POSITION if food is removed from oven before the set cooking time is complete or when oven is not in use. To stop oven during cooking process, push the door release button or open the door by the handle.

CLEANING AND CARE

1. Turn off the oven and remove the power plug from the wall socket before cleaning.
2. Keep the inside of the oven clean. When food splatters or spilled liquids adhere to oven walls, wipe with a damp cloth. Mild detergent may be used if the oven gets very dirty. Avoid the use of spray and other harsh cleaners as they may stain, streak or dull the door surface.
3. The outside surfaces should be cleaned with a damp cloth. To prevent damage to the operating parts inside the oven, water should not be allowed to seep into the ventilation openings.
4. Wipe the door and window on both sides, the door seals and adjacent parts frequently with a damp cloth to remove any spills or splatters. Do not use abrasive cleaner.
5. Do not allow the control panel to become wet. Clean with a soft, damp cloth. When cleaning the control panel, leave oven door open to prevent oven from accidentally turning on.
6. If steam accumulates inside or around the outside of the oven door, wipe with a soft cloth. This may occur when the microwave oven is operated under high humidity condition. And it is normal.
7. It is occasionally necessary to remove the glass tray for cleaning. Wash the tray in warm sudsy water or in a dishwasher.
8. The roller ring and oven floor should be cleaned regularly to avoid excessive noise. Simply wipe the bottom surface of the oven with mild detergent. The roller ring may be washed in mild sudsy water or dishwasher. When removing the roller ring from cavity floor for cleaning, be sure to replace in the proper position.
9. Remove odors from your oven by combining a cup of water with the juice and skin of one lemon in a deep microwaveable bowl, microwave for 5 minutes. Wipe thoroughly and dry with a soft cloth.
10. When it becomes necessary to replace the oven light, please consult our service center to have it replaced.
11. The oven should be cleaned regularly and any food deposits removed. Failure to maintain the oven in a clean condition could lead to deterioration of the surface that could adversely affect the life of the appliance and possibly result in a hazardous.
12. Please do not dispose this appliance into the domestic rubbish bin; it should be disposed to the particular disposal center provided by the municipalities.

If there is any inconsistency or ambiguity between the English version and Chinese version, the English version shall prevail

避免微波能量外洩的安全措施

1. 切勿在爐門開啓的情況下操作，以避免有害微波能量外洩。切勿擅自改動或安裝安全鎖裝置。
2. 切勿在爐前或爐門放置任何物件，或讓沙土或洗潔劑殘餘物累積在封條表層。
3. 如果微波爐已損壞，則不可再使用。尤為重要的是，爐門必須關緊，並確保下列各部分皆無損壞：
 - a. 門（彎曲）；
 - b. 鉸鏈和門門（破裂或鬆脫）；
 - c. 門封和封條表層。
4. 本微波爐只可由合格專業服務人員修理或調整。

目錄

避免微波能量外洩的安全措施.....	1
目錄	1
安全使用要點.....	2
規格	3
安裝	3
無線電干擾.....	4
微波爐烹調規則.....	4
接地指示.....	4
拔電尋求援助服務之前應做事項.....	5
器皿指南.....	5
組件名稱.....	6
控制面板說明.....	7
火力控制旋鈕(Power).....	7
烹調時間旋鈕(Time).....	7
微波烹調.....	7
操作方法.....	8
清潔與保養.....	8

安全使用要點

使用電器時必須遵守基本安全規則，包括下列事項：

警告：爲了降低個人燒傷、觸電、火災、受傷或微波能量外洩，用戶必須：

1. 使用前請詳閱“使用手冊”全部內容，並請保留作爲日後參考之用。
2. 根據此手冊所述用途使用本微波爐。不可在本微波爐內使用腐蝕性化學物質或蒸汽。本微波爐專爲家庭加熱及烹調食物而設計，故不適用於其它工商或實驗室用途。
3. 爐內無食物時，切勿操作本微波爐，以免空載運行損壞機器。
4. 電線或插座損壞、無法操作正常或已損壞或曾跌落，切勿使用本微波爐。如果電線已損壞，則必須由廠商、其維修部或類似的專業人員更換，以避免危險。
5. 警告：只有在已經提供充分的指導，並確保兒童能够採用安全的方法使用本微波爐，同時明白不正確的使用方法會造成危險時，才能允許兒童在無人監督的情況下使用微波爐。
6. 爲降低爐腔著火的風險：
 - a. 當食物在塑料、紙或其它可燃材料製成的容器中加熱或烹調時，應時時注意，防止起火。
 - b. 把袋子放入爐內之前，先除去紙袋或塑膠袋的扭線環。
 - c. 烹調中發生冒煙或起火現象時，請不要立刻打開爐門，否則遇空氣會加大火勢，應立即切斷電源。
 - d. 切勿在微波爐內儲存任何物品。無使用的紙製品、烹調器皿或食物切勿存在爐腔內。
7. 警告：不要直接加熱裝在密封容器內的液體或其他食物，此情況有可能引致爆炸。
8. 使用微波爐加熱飲料時，須擱置片刻，以避免液體延遲沸騰而被燙傷，因此在處理容器時必須格外小心。
9. 切勿使用微波爐煎炸食物。因爲熱油會損壞微波爐零件和烹調器皿，甚至燙傷皮膚。
10. 切勿使用微波爐烹煮或加熱帶殼或硬蛋，因爲壓力會導致雞蛋爆裂，爆破可能發生在微波加熱完畢後。
11. 皮厚且硬的食物，如馬鈴薯、整個南瓜、蘋果和栗子，烹煮前需刺幾個小孔。
12. 奶瓶和嬰兒食品罐內的食物應經過攪拌或搖動，餵食前應檢查瓶內食物的溫度，以避免燙傷。
13. 加熱食品可能將熱量傳送至烹調器皿。因此，從微波爐內提取食物和器皿時，應使用鍋夾或戴上隔熱手套，以免高溫燙傷。
14. 用微波爐之前，應檢查所用器皿是否適用於微波爐。
15. 警告：除了受過訓練的維修人員之外，任何人都不可進行檢查，以避免危險，包括拆下防止微波能量洩漏的防護蓋等工作。
16. 本電器並不是爲體質、感覺、或智力有障礙人士（包括小孩）、或缺乏經驗及知識者使用而設，除非他們曾經接受負責安全人士的監督或指示。
17. 請小心看管小孩，以確保他們不會把本電器當作玩具。
18. 本微波爐只能在單獨的線路上使用。
19. 警告：微波爐不要安裝在離爐灶面或其它發熱設備很近的區域，否則可能會損壞電器，保修服務將會失效。
20. 本電器工作時可觸及的表面可能會變熱。
21. 本微波爐不要放置在櫥櫃裏，除非符合了嵌入櫥櫃的測試。
22. 使用指示中需點明，對置於櫥櫃中的微波爐，使用時必須保證外櫃門處於打開狀態。

23. 本電器工作時爐門或外表面可能會變熱。
24. 本電器工作時可觸及的表面的溫度可能會高。
25. 本電器放置時不能距離牆壁太近。
26. 警告：如果微波爐門或門封已損壞，則不得再使用，直到經有資格的維修人員修好為止。
27. 器具不能再外接定時器或獨立的遙控控制系統的方式下運行。
28. 不要減少本電器兩側和背部的空間，因為要確保與牆壁的最小距離，以便空氣流通。
29. 移動本電器時要保護好裏面的玻璃盤，以免摔壞。
30. 警告：除有資格的維修人員外，其他人來執行檢修操作都是危險的，因為拆下防止微波洩漏的防護蓋後會發生微波輻射。如果要更換電源線或爐燈，請將電器送到我們的維修中心。
31. 本微波爐只能用於解凍、烹調和蒸食物。
32. 警告：打開器皿的蓋子或食物的包裹物時小心蒸汽會溢出。
33. 使用推薦用於該微波爐的溫度探測器（對電器設備使用感溫探頭）。

規格

電壓及頻率	230V~50Hz
消耗電功率（微波）	1400W
額定微波輸出功率	900W
操作頻率	2450MHz
內腔容積	23L

安裝

1. 請把爐內的包裝物一一取出。
2. 本微波爐應放置於具有足夠承托其重量及最高食物重量的平穩臺面。
3. 本微波爐應不可放置於高溫、潮濕或靠近易燃物體之處。
4. 為確保正確操作，本微波爐應放置於空氣流通之處。爐上方 20 厘米、爐背 10 厘米和左右兩旁 5 厘米的空間不可放置任何物件，不可覆蓋或堵塞本微波爐的任何開口處。不可拆除爐腳。
5. 勿在沒有擺放玻璃轉盤、轉盤支承和轉軸的情況下操作本微波爐。
6. 確保電線無損壞，或穿過爐底或任何高溫或尖銳的表面。
7. 插座所在位置必須容易進出，以在緊急時能輕易拔除。
8. 本微波爐不可在戶外使用。

無線電干擾

本微波爐在操作時可能會對您的收音機、電視機及類似的電器造成干擾。

一旦發生干擾情況，可進行下列步驟以減少或消除有關干擾：

1. 清潔爐門和封條表層。
2. 重新調整收音機或電視機的接收天線。
3. 根據接收器重新擺放微波爐的位置。
4. 將微波爐搬至遠離接收器之處。
5. 將微波爐插頭插至不同的插座，以使微波爐和接收器處於不同的電路線。

微波爐烹調規則

1. 請將食物小心排列，較厚部分應朝盤外擺放。
2. 注意烹調時間。盡量選擇最短的烹調時間，若不足可延長時間。食物嚴重過度烹調會造成冒煙或燃燒等危險。
3. 烹調食物時應蓋著。加蓋可防止食物噴濺，而且食物更均勻熟透。
4. 在進行微波烹調時翻轉食物，能使食物更快煮熟，如雞肉和漢堡包。體積較大的烤肉則須至少翻轉一次。
5. 魚丸等食物在烹調至一半時，宜重新對換位置，如上下對調，中間部分則與旁邊對換。

接地指示

本電器必須接地。本微波爐備有一條接地線的接地插頭。它必須插在良好和正確接地的插座上。一旦發生電流短路，接地裝置將為外洩電流提供排電電線，藉以減低發生觸電的風險。建議必須為本微波爐提供個別的電路。使用高電壓是非常危險的事，而且可能導致火災或其他破壞微波爐的意外。

警告：錯誤使用接地插頭會導致發生觸電的風險。

備註：

1. 若您對接地或電器指示有任何疑問，請諮詢合格的電器技術工或服務人員。
2. 對於因為無遵守電路銜接查詢所造成的微波爐損壞或個人受傷，廠商或代理無需負任何責任。

拔電尋求援助服務之前應做事項

如果微波爐無法操作，應檢查：

1. 微波爐的插頭是否插妥。若未插好，先把插頭拔離插座，待 10 秒鐘後在穩定插妥。
2. 檢查電路保險絲是否燒燬，或主要電路保險斷路是否有跳制，若這些看起來都操作正常，則需使用其他工具檢查插座。
3. 控制面板的程控是否正確。
4. 爐門是否關好，並啟動童鎖功能。否則微波能量將無法流入爐內。

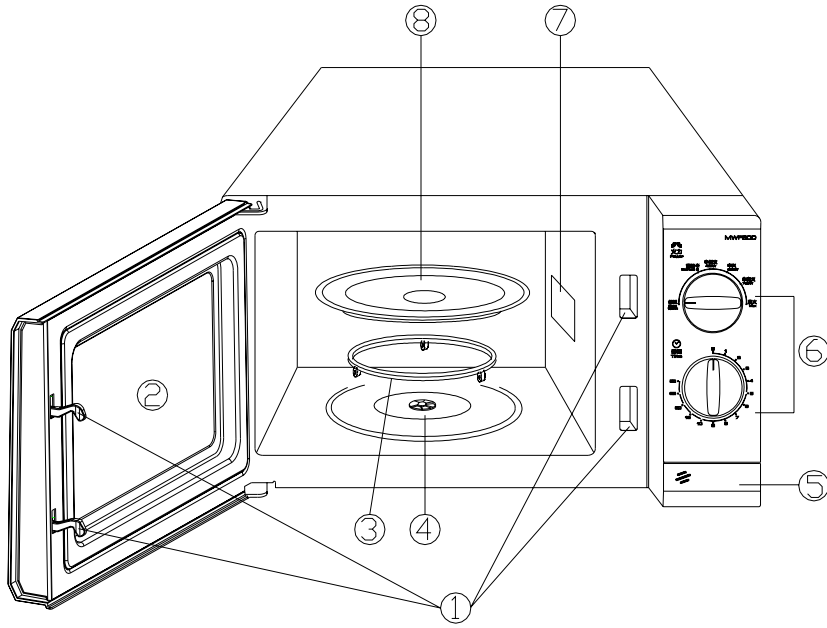
若上述所有行動皆無法修正有關情況，則必須聯絡合格專業技術人員。切勿擅自調整或修理。

器皿指南

1. 最理想的微波爐器皿必須能透射微波，使能量穿透容器，加熱容器中的食物。
2. 微波無法穿透金屬，因此不宜使用金屬器皿或金屬飾邊的餐具。
3. 切勿使用再生紙製品進行微波烹調，因為它們含細微的金屬碎片，可能引致火花和 / 或著火燃燒。
4. 與四方形 / 長方形相比，圓形 / 橢圓形餐具更適合微波爐使用，因為在角落的食物通常會過熟。
5. 可用寬度較小的鋁箔鋪蓋食物，以防止外露的食物過熟。但必須注意，不可使用過量，同時在鋁箔和爐腔之間保持至少 1 寸（2.54 厘米）的距離。

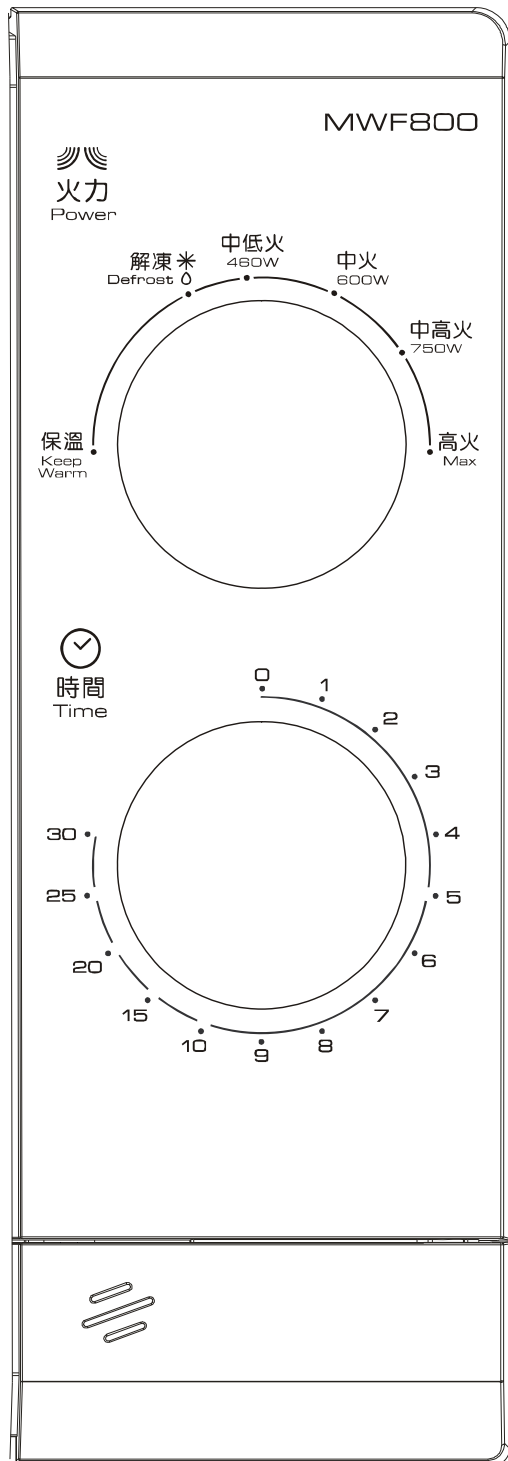
選擇適當器皿的普通指南	
器 皿	微波烹調
耐熱玻璃	可
不耐熱玻璃	不可
耐熱陶瓷器	可
微波爐安全使用塑料餐具	可
保鮮膜	可
金屬烤盤	不可
金屬架子	不可
鋁箔及箔紙容器	不可

組件名稱



- ① 爐門安全連鎖系統
- ② 視屏窗
- ③ 轉盤支承
- ④ 轉軸
- ⑤ 爐門開關
- ⑥ 控制面板
- ⑦ 波導口（裝有雲母片，請勿拆卸）
- ⑧ 玻璃轉盤

控制面板說明



此控制面板由兩個功能操作旋鈕組成，一個是烹調時間旋鈕，另一個是火力控制旋鈕。

火力控制旋鈕

用於選擇烹調火力，這是啓動烹調程式的第一步。

烹調時間旋鈕

用於選擇烹調時間，最長可選擇到 30 分鐘。

微波烹調

- 微波烹調共有 6 個火力，您可以根據需要任意選擇某個火力。
- 順時針旋轉【火力控制旋鈕】可增加火力等級，下表為火力等級說明：

	火力輸出	火力等級
1	100%	高火
2	85%	中高火
3	66%	中火
4	48%	中低火
5	40%	解凍
6	17%	保溫

操作方法

假設您要設置一段烹調程式。

1. 放好食物後關緊爐門；
2. 旋轉【火力控制旋鈕】選擇所需烹調火力；
3. 旋轉【烹調時間旋鈕】選擇烹調時間。

備註：

- 烹調時間選擇完畢後，微波爐自動啓動烹調程式。
- 若您選擇的烹調時間短於二分鐘時，則先將【烹調時間旋鈕】旋至超過二分鐘，再回旋到所希望的烹調時間位置。

溫馨提示：

- 當不使用微波爐時，或食物在烹調程式未完成前取出，應將【烹調時間旋鈕】旋轉到“0”（關閉）位置。烹調中打開爐門可暫停烹調程式。

清潔與保養

1. 清洗爐腔之前，須關閉微波爐，並從插座上拔去電源線插頭。
2. 經常保持爐腔清潔。當食物或湯水濺到爐內壁時，可用濕布擦去。如爐內壁很骯髒則可使用軟性洗潔劑擦洗。切勿使用粗糙、磨損性的洗潔劑，它可能導致爐門表層被染色、刮花或變得無光澤。
3. 微波爐外表面應用濕布拭擦。注意不要讓水滲入爐縫或通風口，以免損壞爐內零件。
4. 爐門和爐窗內外兩側、門封和附件部分必須經常使用濕布拭擦乾淨，不可用腐蝕性洗潔劑。
5. 切勿弄濕控制面板。若控制板被弄濕，可用軟的乾布抹擦。在擦控制面板時，請將爐門打開，以免意外啓動微波爐。
6. 爐內外如有蒸氣凝聚成的水滴，可用軟布擦淨。這是因為微波爐在高溫潮濕的情況下操作所致，屬正常情況。
7. 必須經常清潔玻璃轉盤。可用溫熱的肥皂水或洗碗機清洗，再抹乾放回原位。
8. 必須經常擦洗轉盤支承和爐腔底面，以減低吵雜音。請用軟性洗潔劑清洗爐腔底面，而轉盤支承則可用溫熱的肥皂水或洗碗機清洗，清洗後抹乾放回原位。
9. 爐內如有異味，可用一杯水加一粒檸檬汁和皮煮 5 分鐘，即可消除。過後需用軟布抹乾。
10. 若必須更換爐燈，務必諮詢本公司維修部以進行更換。
11. 微波爐必須經常保持乾淨，去除任何食物殘餘。若無良好保持乾淨，其表層易變壞，進而縮短其壽命，甚至造成危險。
12. 請勿將此電器隨意丟置在垃圾桶，應將之丟棄在有關當局指定的垃圾處理中心。

溫馨提示：如英文版本與中文版本有任何抵觸或不相符之處，概以英文版本為準。

Whirlpool® Registered trademark/TM Trademark of Whirlpool group of companies

All rights reserved - <http://www.whirlpool.com.hk>

註冊商標/惠而浦集團的TM商標

版權所有 翻印必究 - <http://www.whirlpool.com.hk>



Whirlpool