

DAILY REFERENCE GUIDE

FSCR10432
 Max. Load: 10 kg
 Max. Spin Speed: 1400 rpm



THANK YOU FOR BUYING A WHIRLPOOL PRODUCT.
 In order to receive a more complete assistance,
 please register your appliance on www.whirlpool.com.hk

Before using the appliance, carefully read the *Health & Safety, Use & Care* and *Installation* guides.

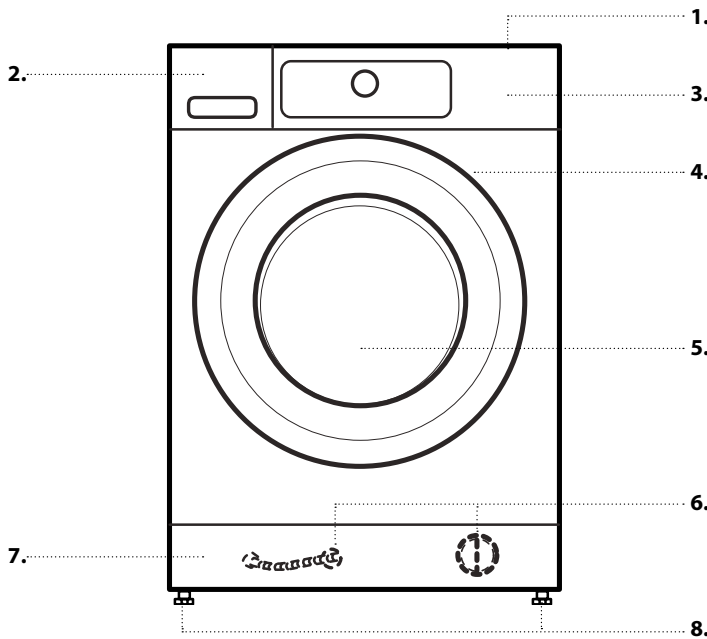


Before using the machine, the transport bolts must be removed.

For more detailed instructions on how to remove them, see the *Installation Guide*.

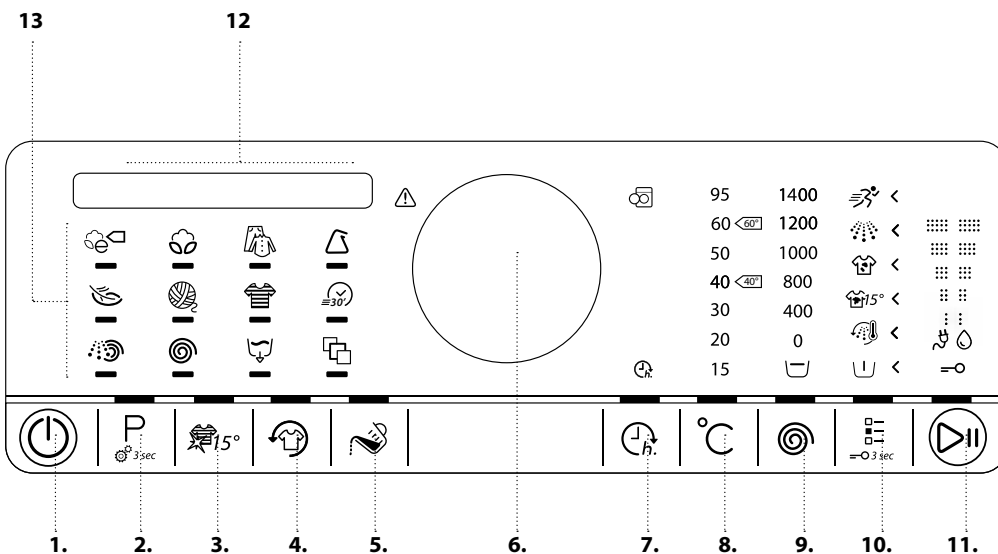
PRODUCT DESCRIPTION

APPLIANCE



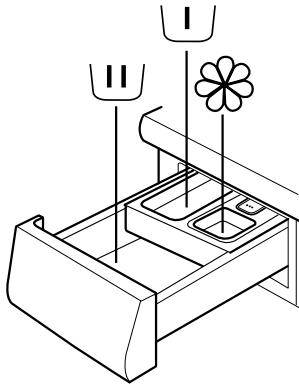
1. Worktop
2. Detergent dispenser
3. Control panel
4. Door handle
5. Door
6. Water filter/emergency drain hose (if available) - behind plinth
7. Plinth (removable)
8. Adjustable feet (4)

CONTROL PANEL



1. On/Off button (Reset/Drain if pressed and held down)
2. Programme button
3. Colours 15° button
4. Fresh Care button
5. Dosing Aid button
6. Knob (Turn to select/ Press to confirm)
7. Finish in button
8. Temperature button
9. Spin Speed button
10. Options button (Key lock if pressed and held down)
11. Start / Pause button
12. Display
13. Programmes area

DETERGENT DISPENSER



1. Main wash compartment

- Detergent for the main wash
- Stain remover
- Water softener



2. Prewash compartment

- Detergent for the prewash.



3. Softener compartment

- Fabric softener
- Liquid starch



Pour in softener or starch solution only up to the "max" mark.

4. Release button

(Press to remove the detergent dispenser for cleaning).



DETERGENT RECOMMENDATIONS FOR VARIOUS TYPES OF LAUNDRY

White robust laundry	(cold-95°C)	Heavy duty detergents
White delicate laundry	(cold-40°C)	Mild detergents containing whitener and/or optical brighteners
Light/pastel colours	(cold-60°C)	Detergents containing whitener and/or optical brighteners
Intensive colours	(cold-60°C)	Colour detergents without whitener/optical brighteners
Black/dark colours	(cold-60°C)	Special detergents for black/dark laundry

FIRST TIME USE

See the section on *DAILY USE* for information on how to select and start a programme.

FIRST CYCLE

If you plug in the washing machine, it will switch on automatically. You will be asked to set the desired display language.

Turn the knob to select the language, and press the knob to confirm. Afterwards you can adapt the water hardness setting of your washing machine to your regional water hardness. This is recommended in order to optimize the Dosing Aid function.

Turn the knob to choose between soft / medium / hard and confirm by pressing the knob.

To remove any residues from the manufacturing process:

- Select the "Cotton" programme at a temperature of 95 °C
- Add a small amount of heavy duty detergent to the main wash compartment of the detergent dispenser (maximum 1/3 of the quantity recommended by the detergent manufacturer for lightly soiled laundry)



- Start the programme **without adding any laundry**.

DAILY USE

See *Use and Care Guide* for more details on functions / see last page for information on how to obtain the *Use and Care Guide*

1. LOAD LAUNDRY

- Prepare your laundry according to the recommendations in section "HINTS AND TIPS".
- Make sure that fasteners are closed and ribbons tied together, fasteners closed and ribbons tied together.
- Open the door and load the laundry. Observe the maximum load sizes given in the programme chart



2. CLOSE DOOR

- Make sure that no laundry gets stuck between door glass and rubber seal.



- Close the door so that you can hear it click shut.

3. OPEN THE WATER TAP

- Make sure that the washing machine is connected to the mains.
- Open the water tap



4. SWITCH ON WASHING MACHINE

- Press the On/Off button until the programme button lights up. An animation appears, and there is a sound. Afterwards the washing machine is ready to be operated.

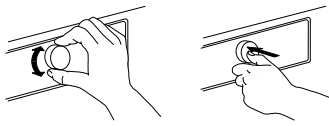


5. SET THE DESIRED PROGRAMME

GUIDED MODE - the button light guides you through setting your programme in the following order: selection of programme / temperature / spin speed / options. As soon as you confirm a selection by pressing the knob, the button light will jump to the next step.

• Select programme:

Make sure that the programme button lights up. Turn the knob to select the desired Programme. Programme name and duration appear on the display. Confirm the desired programme by pressing the knob. The maximum possible laundry load for the selected programme is indicated after a few seconds.



• Change temperature, if needed

If you want to change the temperature indicated over the temperature button, make sure that the Temperature button lights up.

Turn the knob to select the desired temperature, then press the knob to confirm.



• Change spin speed, if needed

If you want to change the spin speed indicated over the Spin button, make sure that the Spin button lights up. Turn the knob to select the desired spin speed, or Rinse hold, then press the knob to confirm.



• Select options, if needed

Make sure that the options button lights up. The options which are selectable for your programme are indicated by lighting arrows.



Turn the knob to select the desired options. The symbol of the selected option blinks. To confirm it, press the knob.

Some options / functions can be selected by directly pressing the button:



Refer to section OPTIONS, FUNCTIONS AND INDICATORS for more information.

INDIVIDUAL MODE

After you have switched on the washing machine, you are not forced to follow the GUIDED MODE.

It is up to you which order you choose to set your programme. To do a setting, first press the relevant button, then turn the knob to select, and finally press the knob to confirm.

The range of temperatures, spin speeds and options depend on the programme selected. Therefore it is recommended to start your setting with selecting the programme.

6. ADD DETERGENT

- If you do **not** use the Dosing Aid function, pull out the detergent dispenser and add detergent (and additives/softener) now, as indicated in section DETERGENT DISPENSER.



Observe the dosing recommendations on the detergent pack. If you have selected PREWASH or FINISH IN, observe the recommendations in section OPTIONS, FUNCTIONS AND INDICATORS. Afterwards carefully close the detergent dispenser.

- If you use the "Dosing Aid" function, add detergent later, after you have started the programme. Refer to section OPTIONS, FUNCTIONS AND INDICATORS.
- After having added detergent /additives, do not open the detergent dispenser anymore, to avoid overflow.

7. START PROGRAMME

- Press and hold "Start/Pause" until the button lights up solidly; the programme starts.
- If you have selected "Dosing Aid", the washing machine will indicate you the recommended detergent amount for your laundry load **after** programme start. Follow the instructions as indicated in section OPTIONS, FUNCTIONS AND INDICATORS / Dosing Aid.



8. CHANGE A RUNNING PROGRAMME, IF NEEDED

You can still change the settings while a programme is running. The changes will be applied, provided the respective programme phase has not finished yet.

- Press the relevant button (for example the "Spin speed" button to change the spin speed). The value blinks for a few seconds.
- While blinking, you can adjust the setting by turning the knob. If the value stopped blinking, press the button again.
- Press the knob to confirm the modification. If you do not confirm, the modification is confirmed automatically – the modified setting stops blinking.

The programme will continue automatically.

To change the settings of a running programme, you can also

- Press "Start/Pause" to put the running programme on pause
- Change your settings
- Press "Start/Pause" again to continue the programme.

9. PAUSE A RUNNING PROGRAMME AND OPEN THE DOOR, IF NEEDED

- Press and hold "Start/Pause" to pause a running programme.
- Provided water level is not too high, or laundry is not too hot, the door indicator lights up. You can open the door, for example to add/remove laundry.
- Close the door again and press "Start/Pause" to proceed with the programme.



10. RESET A RUNNING PROGRAMME, IF NEEDED

- Press and hold the "On/Off" button until the display indicates that the programme is cancelled. The water drains, the programme ends and the door unlocks.



11. SWITCH OFF THE WASHING MACHINE AFTER PROGRAMME END

- The display indicates that the cycle is finished, and the "Door open" indicator lights up – you can take out your laundry
- Press "On/Off" to switch off the washing machine. If you do not switch it off, the washing machine will switch off automatically after about a quarter of an hour after programme end, to save energy.
- Leave the door ajar, so that the inside of the washing machine can dry.



SETTINGS

The following settings can be changed / selected:
 Display language / key tones / cycle end alert / display contrast / water hardness / dosing aid (adjust dosing amounts for the detergents you use) / eco mode (automatic switch-off function after programme end) / return to factory settings.

- Press and hold the Programme button for at least 3 seconds.
- Turn the knob to select the setting which you want to change; confirm it by pressing the knob.

- Turn the knob to adjust the setting; confirm by pressing the knob.
- To exit the Settings mode, either turn the knob until the display indicates that you can exit – then confirm by pressing the knob. Or alternatively press the Programme button.

HINTS AND TIPS

SORT YOUR LAUNDRY ACCORDING TO

- Type of fabric / care label (cotton, mixed fibres, synthetics, wool, handwash items)
- Colour (separate coloured and white items, wash new coloured articles separately)
- Size (wash items of different sizes in the same wash load to improve washing efficiency and distribution in the drum)
- Delicates (wash small items – like nylon stockings – and items with hooks – like bras – in a cloth bag or pillow case with zip).

EMPTY ALL POCKETS

- Objects like coins or safety pins can damage your laundry as well as the drum.

WASH CARE LABELS

The temperature in the washtub symbol indicates the maximum possible temperature for washing the item.



Normal mechanical action



Reduced mechanical action



Much reduced mechanical action



Hand wash only



Do not wash

CLEAN THE WATER FILTER REGULARLY

- Helps to avoid that it can get clogged and that the drain water cannot be pumped out anymore. Refer to section CARE AND MAINTENANCE / “Cleaning the water filter” in the Use and Care guide.

SAVINGS AND ENVIRONMENT

- Achieve the best use of energy, water, detergent and time by using the recommended maximum load size for the programmes, as indicated in the programme chart.
- Do not exceed the detergent dosages indicated in the detergent manufacturer’s instructions. Use the Dosing Aid function.
- Save energy by using a 60 °C instead of a 95 °C wash programme or a 40 °C instead of a 60 °C wash programme. For cottons, the Eco Cotton ◁ programme at 40 °C or 60 °C is recommended.
- Save energy and time by selecting a high spin speed to reduce the water content in the laundry before using a tumble dryer.

CONSUMPTION DATA

This data may differ in your home due to changing conditions in inlet water temperature, water pressure etc.

PROGRAMME	TEMPERATURE (°C)	SUGGESTED LOAD (KG)	WATER (L)	ENERGY (KWH)	APPROXIMATE PROGRAMME DURATION (H:MIN)	
					WITHOUT RAPID	WITH RAPID
Mixed	40	6.0	62	0.40	01:00	00:55
Cotton	95	10.0 (max)	97	2.70	02:50	–
Cotton	60	10.0 (max)	95	1.70	02:35	01:55
Cotton	40	10.0 (max)	77	1.00	03:30	02:20
Synthetics	60	3.5	46	0.95	02:20	01:20
Synthetics	40	3.5	44	0.65	02:20	01:20
ECO COTTON ◁	60	10.0 (max)	48	0.58	06:00	04:00
ECO COTTON ◁	60	4.5	31	0.46	04:00	*
ECO COTTON ◁	40	4.5	31	0.43	04:00	*

Values measured in normal conditions in accordance with IEC/EN 60456. Water, energy and remaining moisture content values refer to the default setting of the programmes, without options.

max = maximum load capacity of the washing machine

Acoustic values on declaration label refer to appliance after complete installation, with acoustic pads fixed on bottom of washing machine according to separate instructions.

* Duration indicated after load sensing

Eco Cotton is the standard programme for washing normally soiled cottons, and it is the most efficient programme in terms of combined water and energy consumption. For reasons of energy saving, the real water temperature may deviate from the specified cycle temperature.

Power consumption in off-mode is 0.25 W/in left-on mode 0.25 W.

PROGRAMME CHART

Programme	Care labels	Temperature °C	Max load (Kg)	Selectable using the Options button						Selectable directly				Spin		Detergent and additives			Default Temp. & Duration (H:MIN)			
				Prewash	Hot Finish	Bio Stain 15°	Heavy Soil	Intensive Rinse	Rapid	Colours 15°	Fresh Care	Dosing Aid	Finish in	Max. spin speed (rpm)	Rinse hold	Prewash	Main Wash	Softener	Temperature °C	Programme Duration	With Rapid	
ECO COTTON		Cold-60°C	max	-	-	-	-	✓	✓	✓	✓	✓	✓	✓	max	✓	-	●	○	60°C	06:00	04:00
COTTON		Cold-95°C	max	✓	✓	✓	✓	✓	✓	✓	✓	✓	✓	✓	max	✓	○	●	○	60°C	*	*
MIXED		Cold-60°C	6.0	-	✓	✓	-	✓	✓	✓	✓	✓	✓	✓	max	✓	-	●	○	40°C	01:00	00:55
SYNTHETICS		Cold-60°C	3.5	✓	-	✓	✓	✓	✓	✓	✓	✓	✓	✓	max	✓	○	●	○	40°C	02:20	01:20
DELICATES		Cold-40°C	2.5	✓	-	-	-	-	✓	✓	✓	✓	✓	✓	1000	✓	○	●	○	40°C	00:50	00:45
WOOL		Cold-40°C	2.0	-	-	-	-	-	✓	✓	✓	✓	✓	✓	1000	✓	-	●	○	40°C	00:40	00:35
COLOURS		Cold-60°C	6.0	✓	-	✓	✓	-	✓	✓	✓	✓	✓	✓	1000	✓	○	●	○	30°C	01:20	01:05
RAPID 30'		Cold-30°C	3.0	-	-	-	-	-	-	✓	✓	✓	✓	✓	max	✓	-	●	○	30°C	00:30	-
RINSE&SPIN		-	max	-	-	-	-	✓	-	-	✓	-	✓	max	✓	-	-	○	-	00:20	-	
SPIN		-	max	-	-	-	-	-	-	-	✓	-	✓	max	-	-	-	-	-	00:15	-	
DRAIN		-	max	-	-	-	-	-	-	-	✓	-	✓	-	-	-	-	-	-	00:01	-	
SHIRTS		Cold-40°C	2.5	✓	-	-	-	-	✓	✓	✓	✓	✓	✓	1000	✓	○	●	○	40°C	00:50	*
DUVET		Cold-60°C	3.0	✓	✓	✓	-	✓	✓	✓	✓	✓	✓	✓	1000	✓	○	●	○	40°C	01:30	*
BED LINEN		Cold-60°C	3.5	✓	✓	✓	-	✓	✓	✓	✓	✓	✓	✓	max	✓	○	●	○	60°C	02:03	*
CASHMERE		Cold-30°C	2.0	-	-	-	-	-	✓	✓	✓	✓	✓	✓	400	✓	-	●	○	30°C	00:36	*
SPORT		Cold-40°C	3.5	✓	-	✓	-	✓	✓	✓	✓	✓	✓	✓	max	✓	○	●	-	30°C	01:35	*
JEANS		Cold-60°C	5.0	✓	✓	✓	✓	✓	✓	✓	✓	✓	✓	✓	1000	✓	○	●	○	40°C	01:30	*
BABY ITEMS		Cold-60°C	5.0	✓	✓	✓	✓	✓	✓	✓	✓	✓	✓	✓	1000	✓	○	●	○	60°C	01:30	*
MINI LOAD		Cold-40°C	1.0	-	-	-	-	✓	✓	✓	✓	✓	✓	✓	max	✓	-	●	○	30°C	00:45	*

✓ Selectable/optional - Not selectable/applicable ● Dosing required ○ Dosing optional

* Duration indicated after load sensing

PROGRAMMES

Observe the recommendations on the care labels of your laundry.

ECO COTTON

Normally soiled cotton laundry. At 40°C and 60°C standard cotton programme and most favourable programme in terms of combined water and energy consumption for washing cotton laundry. The values on the Energy label are based on this programme



COTTON

Normally to heavily soiled and robust cotton and linen laundry, such as towels, underwear, table linen etc.



MIXED

Lightly to normally soiled robust laundry made of cotton, linen, artificial fibres and their blends. 1-hour programme.



SYNTHETICS

Normally soiled laundry made of artificial fibres (like polyester, polyacryle, viscose etc.) or their blends with cotton.



DELICATES

Fine laundry made of delicate fabrics, which needs gentle treatment.



WOOL

Woolens, labeled with the Woolmark and identified as machine washable, as well as textiles made of silk, linen, wool and viscose marked as handwashable.



RAPID 30'

Lightly soiled laundry made of cotton, synthetics and their blends. Refresh programme for laundry without stains.



COLOURS

Lightly to normally soiled laundry made of cotton, synthetics or their blends; also delicates. Helps preserving colours.



RINSE AND SPIN

Separate rinse and intensive spin programme. For robust laundry.



SPIN

Separate intensive spin programme. For robust laundry.



DRAIN

Separate programme to drain the water, without spinning.



SPECIAL PROGRAMMES

To set one of the following programmes, select and confirm the special programmes position by pressing the knob for 3 seconds. Then turn the knob to select one of the following eight programmes; the display indicates the programme name. Confirm the desired programme by pressing the knob.



SHIRTS

Shirts, blouses and fine business clothes made of cotton, synthetics or their blends.

DUVET

Big items such as sleeping bags, washable blankets, bathmats, pillows and duvets filled with feathers or synthetic material.

BED LINEN

White or coloured bed linen made of cotton and synthetic fibers, or blends of both.

CASHMERE

High-quality cashmere garments identified as machine washable or hand washable. Low spin speed recommended (400 rpm).

SPORT

Normally soiled and sweaty sportswear made of cotton jersey or microfibers.

Includes a prewash cycle – you can add detergent also to the prewash chamber. Do not use softener.

JEANS

Normally soiled cotton jeans-wear and garments made of robust jeans-like material, such as trousers and jackets.

BABY ITEMS

Normally soiled baby clothes made of cotton and/or linen. The suds are rinsed out even more thoroughly, which helps to protect sensitive baby skin.

MINI LOAD

Cotton and/or synthetic laundry made of stable fabric types. Ideal programme for washing a small laundry load in an economic way.

OPTIONS, FUNCTIONS AND INDICATORS

Refer to the Programme Chart to check if options are available for the selected programme

OPTIONS which are directly selectable by pressing the dedicated button

Colours 15°

Helps to preserve the colours of your laundry by washing it with cold water (15°C). Saves energy for water heating, while keeping a good wash result. Suitable for lightly soiled coloured laundry without stains.

- Make sure that your detergent is suitable for cold wash temperatures (15 or 20 °C).
- Not selectable for Cotton 95 °.



Fresh Care

Helps to keep your laundry fresh if you cannot unload it soon after programme end.

The washing machine will start to tumble the laundry periodically a short time after programme end. This tumbling will last up to approximately 6 hours after end of your wash programme. You can stop it at any time by pressing any button; the door unlocks and you can take out your laundry.



Dosing Aid

Helps to dose the right amount of detergent for your laundry load.

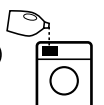
Prepare the option as described in DOSING AID / FIRST USE in the Use and Care Guide.

- After you have loaded the laundry, closed the door and selected programme and options, press the Dosing Aid button. The button lights up.
- Start the programme by pressing "Start/Pause". – The drum rotates to detect the laundry load; the display indicates the load sensing phase. On the control panel, an animation occurs. Afterwards the recommended detergent amount for the main wash compartment in ml appears on the display.



If you have selected "Prewash" option, the display alternately shows the amount for prewash (I) and main wash (II) compartment.

- Pull out the detergent dispenser and pour the recommended detergent quantity into the main wash (II) and, if Prewash is selected, also into the prewash (I) compartment of the detergent dispenser.



- Close the detergent dispenser (or the door) and press "Start/Pause" to continue the programme.

OPTIONS which are selectable by pressing the Options button

Prewash

Helps to clean heavily soiled laundry by adding a prewash phase to the wash programme selected. Extends the programme by about 20 minutes. Add detergent to the prewash compartment of the detergent dispenser as well, or directly into the drum. Use powder detergent for the main wash in order to ensure that the detergent stays in the detergent dispenser until the start of the main wash phase.



Hot Finish

The programme ends with a 40°C warm rinse phase. This relaxes the fibres of your laundry, and the laundry feels comfortably warm when taking it out a short time after programme end.



Bio Stains 15°

Helps to remove all heavy stains, except grease/oil. The programme begins with a cold water wash phase. Extends the programme by about 10 minutes. Pre-treatment recommended for stubborn stains. Not selectable for Cotton 95°C.



Heavy Soil

Helps to clean heavily soiled, stained laundry by optimising the efficiency of additives for stain removal. Add an appropriate amount of in-wash additive for stain removal (powder) to the main wash compartment, together with your detergent (powder only). May extend the programme by up to 15 minutes.



Appropriate for use with oxygen-based stain removers and bleaching agents.

Chlorine or perborate bleaches must not be used!

Intensive Rinse

Helps to avoid detergent residues in the laundry by adding an rinse phase. Particularly suitable for washing baby laundry, for people suffering from allergies and for areas with soft water.



Rapid

Enables quicker washing. Recommendable for only lightly soiled laundry. Not selectable for Cotton 95 °C.



FUNCTIONS

Rinse hold

Avoids automatic spinning of the laundry at the end of the programme. The laundry remains in the last rinse water, the display indicates the rinse hold and the programme does not continue.



Suitable for delicate laundry which is not appropriate for spinning, or which should be spun with a low spin speed. Not suitable for silk. To end the "Rinse hold" function, choose between:

- **drain the water, no spin:** turn the knob to select spin speed "0" and press Start/ Pause: the water will be drained and the programme ended
- **spin the laundry:** the default spin speed blinks - start the spin cycle by pressing Start/Pause. Or select a different spin speed by turning the knob, press it to confirm, and press Start/ Pause.



Finish in

Enables to have the laundry ready at a particular time by setting a delay until end of the programme.



Choose a delay up to 24 hours. Do not use liquid detergent with this function.

- Select programme, temperature and options.
- Press the "Finish in" button – the symbol over the button lights up.
- Turn the knob to select a delay up to 24 hours. Confirm the desired delay by pressing the knob.
- When you have finished your settings, press "Start / Pause" - the countdown of the delay starts. The display indicates that Finish in is active and that the washing machine is in waiting mode.
- The programme starts automatically, in time to be finished at the end of the delay period. On programme start, the delay on the display is replaced by the remaining programme duration.

To cancel the delay

- either press "Start/Pause" to cancel the delay; to start the selected programme immediately, press "Start/Pause" again
- or press and hold "On/Off" to cancel the complete programme setting.

Key lock

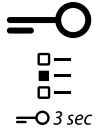
To lock the buttons and knob of the control panel against unwanted operation.

To lock:

- The washing machine must be switched on.
- Press and hold the option key until the key symbol on the control panel lights up. Knob and keys are locked now. Only "On/Off" works.

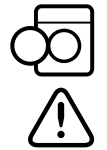
If you switch the washing machine off and on again, the key lock will remain active until you unlock it.

To unlock: press and hold the option key again for at least 3 seconds, until the key symbol goes off.



INDICATORS

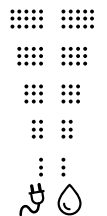
Door can be opened



Failure: Observe the display message.

For any failures, refer to section Troubleshooting in the "Use and Care Guide".

Energy / Water monitor



Gives feedback about the energy and water consumption of your programme setting. The less indicators light up, the more economic is your programme setting. Can still adapt after sensing phase of laundry load.

Descaling

A display message will remind you regularly to descale the washing machine.

To cancel the display reminder, press the knob.

**MAINTENANCE AND CLEANING
AND TROUBLESHOOTING**

For maintenance and cleaning, and for troubleshooting, see the **Use and Care Guide**.

The **Use and Care Guide** can be obtained as follows:

- After-Sales Service; using the phone number in the warranty booklet
- Download from the Whirlpool Website www.whirlpool.com.hk



400011041354

Whirlpool® Registered trademark/TM Trademark of Whirlpool group of companies - All rights reserved - <http://www.whirlpool.com.hk>



日常使用參考指引

FSCR10432

最大洗衣量: 10公斤

最高脫水轉速: 1400轉/分鐘



感謝您購買惠而浦產品
為了獲得更完善的服務，
請於www.whirlpool.com.hk註冊您的產品

使用此產品設備前，請細心參閱
<產品安全指引、使用說明及安裝指南>。

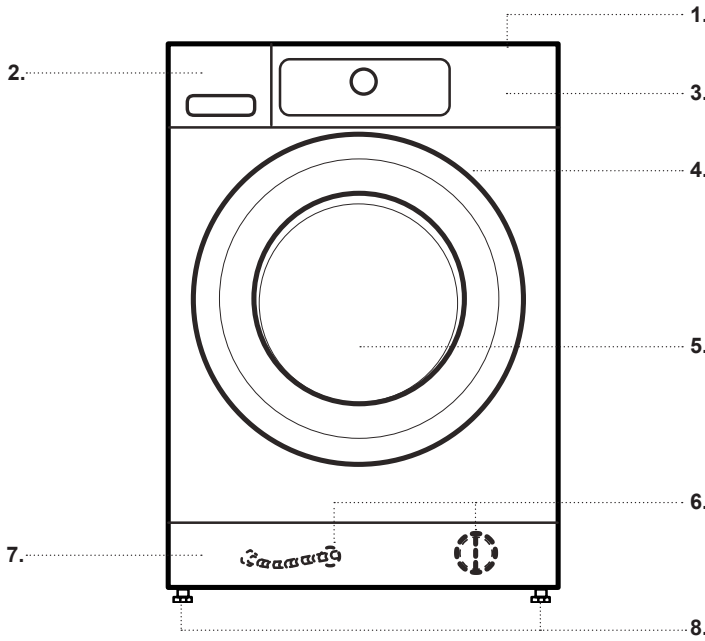


使用此產品前，
必須拆除運輸螺栓。

有關如何拆除運輸螺栓的詳細說明，
請參閱<安裝指南>。

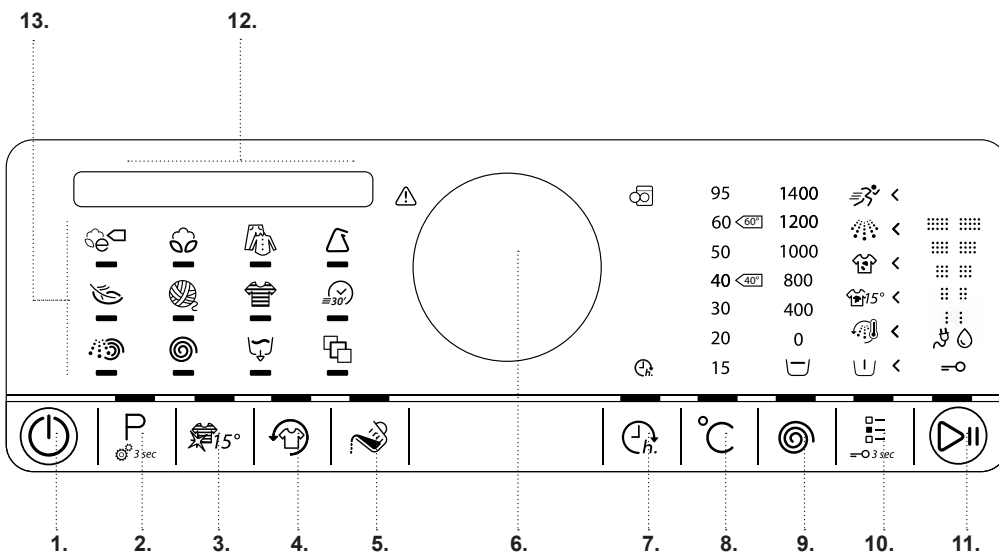
產品介紹

產品



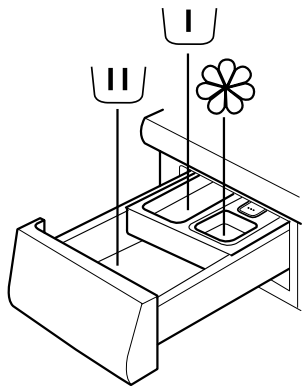
1. 頂板
2. 洗衣劑盒
3. 控制面板
4. 機門門把
5. 機門
6. 底座後面的
過濾器及緊急排水喉
(如有)
7. 底座(可拆式)
8. 可調機腳

控制面板



1. 電源「開/關」鍵
(長按為「重設/排水」鍵)
2. 「程序」鍵
3. 「護色15°」鍵
4. 「清爽抗皺」鍵
5. 「洗衣劑計量助手」鍵
6. 旋鈕
(旋動選擇 / 按壓確定)
7. 「預校結束時間」鍵
8. 「溫度」鍵
9. 「脫水轉速」鍵
10. 「選項」鍵
(按下並長按此鍵為
「兒童安全鎖」功能)
11. 「啟動/暫停」鍵
12. 顯示屏
13. 程序顯示位置

洗衣劑盒



1. 主洗格

- 主洗用洗衣劑
- 去污劑
- 軟水劑



2. 預洗格

- 預洗用洗衣劑



3. 柔順劑格

- 衣物柔順劑
- 衣漿



添加劑只能添加到「MAX」標誌。

4. 鬆開洗衣劑盒按鍵

按下來鬆開洗衣劑盒，將其抽出並清洗。



配合衣物類型的洗衣劑使用建議

白色厚重衣物	(冷水 - 95 °C)	帶漂白效果的強效洗衣劑
白色纖細衣物	(冷水 - 40 °C)	帶漂白效果的溫和型洗衣劑和/或螢光增白劑
淺色/粉色	(冷水 - 60 °C)	帶漂白效果的洗衣劑和/或螢光增白劑
彩色 / 多色 / 色彩鮮艷	(冷水 - 60 °C)	不帶漂白效果/螢光增白劑的護色洗衣劑
黑色/深色	(冷水 - 60 °C)	黑色/ 深色衣物專用洗衣劑

首次使用

請參閱<日常使用參考指引>以得悉如何選擇和啟動程序。

首次洗衣

如果您將洗衣機接上電源,它會自動開啟。您會被要求設定所需的顯示語言。

旋轉旋鈕以選擇語言,然後按下旋鈕進行確認。之後,您可以因應您所在區域的水的硬度來調整及設定洗衣機的水硬度。此建議是為了優化「洗衣劑計量助手」功能。

轉動旋鈕選擇“Soft (軟)”或“Medium (中等)”或“Hard (硬)”,並按下旋鈕確認。請按以下步驟移除產品製造過程中所衍生的任何殘留物:

- 選擇“棉質”程序及95°C的水溫。
- 添加少量的強效洗衣劑於洗衣劑盒的主洗格內(洗衣劑製造商建議最多使用1/3的洗衣劑份量於輕度污染衣物)
- 啟動程序,請勿再添加任何衣物。



日常使用

請參閱<使用和保養指南>中更多詳細信息功能或參閱最後一頁以得知如何獲得<使用和保養指南>。

1. 放入衣物

- 按照後頁篇章<提示及應用>中的建議,準備好您的衣物。
- 確保拉鏈已被拉好,而絲帶亦需綁緊。
- 打開機門,放入衣物。
請查閱程序表中所指出的最大建議洗衣量。



2. 關閉機門

- 確保衣物沒有被卡住於機門玻璃和橡膠密封圈之間。
- 關上機門,您可以聽到喀噠一聲。



3. 開啟水龍頭

- 確保該洗衣機已連接到電源。
- 開啟水龍頭。



4. 開啟洗衣機電源

- 按「開/關」鍵，直到「程序」鍵亮起。閃燈動畫將會顯示，並且有聲響，代表該洗衣機已準備好被使用。

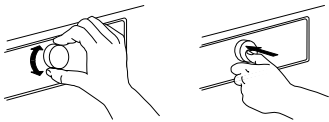


5. 設定所需的程序

引導模式 - 指示燈會按以下順序引導您完成程序設定: 選擇程序/溫度/脫水轉速/選項。只要您按下旋鈕確認選擇，指示燈會跳轉到下一個步驟。

• 選擇程序:

確保「程序」鍵亮起。轉動旋鈕以選擇所需程序，程序名稱和持續時間將會顯示在顯示屏上，按下旋鈕以確認所需程序。建議的最大洗衣量會在確認所需程序幾秒鐘後顯示。



• 調整溫度 (如有需要)

如欲調整「溫度」鍵上指示的溫度,請確保「溫度」鍵已亮起。然後轉動旋鈕選擇所需溫度，再按下旋鈕確認。



• 調整脫水轉速 (如有需要)

如欲調整「脫水轉速」鍵上指示的轉速,請確保「脫水轉速」鍵已亮起。然後轉動旋鈕選擇所需脫水轉速，或選擇「延遲脫水」，再按下旋鈕確認。



• 選擇選項 (如有需要)

確保「選項」鍵亮起。可選擇的選項會按您已選擇的程序判斷，並以照明箭頭表示。



轉動旋鈕選擇所需選項。所選的選項指示燈隨之閃爍，可按旋鈕確認。

可以直接按下按鍵以選擇以下一些選項 / 功能：



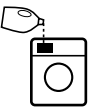
詳細資訊請參閱〈選項，功能及指示燈〉篇章。

個人模式

當您已經開啟過洗衣機，您可以不用強制性跟著引導模式使用。可按個人喜好選擇順序來設定程序。要進行設定，首先按相應的按鍵，然後轉動旋鈕選擇，最後按下旋鈕確認。溫度，脫水轉速及選項的範圍取決於所選的程序。因此，建議先設定所選擇的程序選項。

6. 加入洗衣劑

- 如果您不使用「洗衣劑計量助手」，可拉出洗衣劑盒並按〈洗衣劑盒〉篇章的建議加入洗衣劑 (及添加劑/柔順劑)。請遵守洗衣劑包裝上的建議劑量。如果您選擇了「預洗」或「預校結束時間」，請參閱〈選項，功能及指示燈〉篇章的建議，並小心關閉洗衣劑盒。
- 如果您使用「洗衣劑計量助手」的功能，在啟動該程序後添加洗衣劑。詳情請參閱〈選項，功能及指示燈〉篇章。
- 添加洗衣劑或添加劑後，切勿再打開洗衣劑盒，以避免溢出。



7. 啟動程序

- 按「啟動/暫停」鍵直至指示燈亮起，程序將會啟動。
- 如使用「洗衣劑計量助手」鍵，您可以讓洗衣機針對您的洗衣量來顯示建議的洗衣劑量，具體視乎航麟程度和洗衣量而定。請參閱〈選項，功能及指示燈〉篇章的建議。



8. 變更正在運行的程序 (如有需要)

您仍可在程序運行時更改設定。當相應的程序階段尚未結束，變更程序將被應用。

- 按下需變更的相關按鍵(例如「脫水轉速」鍵來改變轉速)，使該數值閃爍幾秒鐘。
- 當指示燈閃爍時，可以轉動旋鈕調整設定。如果該值停止閃爍，再次按下按鈕。
- 按下旋鈕以確認修改。如果沒有按下旋鈕確認，修改仍會自動確認 - 修改後的數值隨即停止閃爍。

該程序將自動繼續運行。

如要變更正在運行的程序設定，還可以：

- 按下「啟動/暫停」鍵暫停程序。
- 變更所需設定。
- 再次按「啟動/暫停」鍵繼續運程序。

9. 暫停正在運行的程序及打開機門 (如有需要)

- 按下「啟動/暫停」鍵暫停程序。
- 只要水位不太高，或機內衣物不太熱時，機門指示燈會亮起。您可以打開機門，以添加或取走衣物。
- 再次關閉機門，並按下「啟動/暫停」鍵繼續運程序。



10. 重新設定正在運行的程序 (如有需要)

- 按下電源「開/關」鍵，直到屏幕顯示該程序被取消。洗衣水會被排走，程序結束及機門會被解鎖。



11. 程序結束後關閉洗衣機

- 顯示器上顯示程序結束，而「開門」指示燈亦亮起。— 您可以拿出機內衣物。
- 按電源「開/關」鍵，以關閉洗衣機。如果不將其關閉，洗衣機將在程序結束的15分鐘後自動關閉，以節省能源。
- 讓機門半開，使洗衣機的內部可以風乾。



系統設定

以下的系統設定可以更改或有選項可供選擇：

顯示語言 / 按鍵音 / 洗衣結束提示 / 顯示屏對比度 / 水硬度 / 洗衣劑計量助手(調整您使用的洗衣劑用量)/節能模式(程序結束後自動關機功能) / 恢復原廠設定。

- 按下「程序」鍵至少3秒鐘。
- 轉動旋鈕，選擇您欲選擇的設定，按下旋鈕確認。

- 轉動旋鈕，選擇您欲更改的設定，按下旋鈕確認。
- 要退出系統設定模式，可轉動旋鈕，直到顯示指示退出，然後按下旋鈕確認或按程序鍵。

提示及應用

請根據以下建議分類衣物：

- 衣料類型/護理標籤符號
(棉，混合纖維，合成纖維，羊毛，手洗項目)
- 顏色
請將白色衣物與顏色衣物分開，並將簇新的顏色衣物分開清洗。
- 大小
不同大小的衣物放在一起清洗時，可改善洗衣及脫水的效率，並可使衣物在洗衣桶內的分佈更為均勻。
- 纖細衣物
(清洗小件衣物，如尼龍絲襪；有鈎扣的衣物，如胸罩及有拉鍊的布袋或枕套。)

清空衣物口袋

- 銀幣、別針等物品會損毀衣物、洗衣槽及洗衣桶。

衣物護理標籤

在標籤中洗衣缸符號內的溫度，表示用於清洗該衣物項的最高溫度。

-  一般機洗
-  減少機洗
-  避免機洗
-  只可手洗
-  不可濕洗

定期清潔濾網

- 有助避免堵塞或無法正常排水。請參閱〈使用和保養指南〉中的〈清潔濾網/排走積水〉篇章。

節能及環境保護

- 運行程序時加載最大的建議洗衣量，使所耗用的能源、水、洗衣劑及時間均達最佳效益。
- 洗衣劑用量不要超過製造商指示中標識的用量。請使用「洗衣劑計量助手」功能。
- 使用60°C洗衣程序，而非95°C以節約能源。或使用40°C，而非60°C的洗衣程序。
棉質衣料建議使用「棉質節能洗」◁ 40°C或60°C。
- 在使用滾桶式乾衣機之前，通過選擇高旋轉速度，以減少在衣物中的水含量，從而節約能源和時間。

水電消耗資料表

由於不同條件因素(如:入水溫度，供水壓力等)，各家庭的能源消耗值可能會有不同。

程序	溫度 °C	建議洗衣量 (公斤)	耗水量 (公升)	耗電量 (千瓦小時)	大約程序時間 (小時:分鐘)	
					不使用「快速」	使用「快速」
60分鐘混合洗	40	6.0	62	0.40	01:00	00:55
棉質	95	10.0(最大)	97	2.70	02:50	--
棉質	60	10.0(最大)	95	1.70	02:35	01:55
棉質	40	10.0(最大)	77	1.00	03:30	02:20
合成纖維	60	3.5	46	0.95	02:20	01:20
合成纖維	40	3.5	44	0.65	02:20	01:20
棉質節能洗 ◁	60	10.0(最大)	48	0.58	06:00	04:00
棉質節能洗 ◁	60	4.5	31	0.46	04:00	*
棉質節能洗 ◁	40	4.5	31	0.43	04:00	*

能源消耗值是根據 IEC/EN 60456 標準所規定的正常條件下而測得。水和能源耗用量是根據預設程序為參考。

最大 = 最大建議洗衣量

聲明標籤上的聲值是指家電安裝完成後，聲墊按照個別的指引被固定在洗衣機底部。

*偵測到洗衣量後會自動調整程序所需時間。

棉質節能洗 是用於洗滌一般沾棉的標準程序，它是在結合水和能源消耗方面上最有效的程序。節能的原因，實際水溫可能偏離指定洗衣程序的溫度。

功耗在關閉模式下為0.25 W /開啟模式0.25 W。

程序表

程序	衣物護理標識	溫度 °C	建議洗衣量(公斤)	「選項」鍵可選的選項						控制面板的獨立選項				脱水轉速		洗衣劑和添加劑			預設溫度及程序時間(小時:分鐘)		
				預洗	溫感柔護	除漬 15°	高效除污	深層過水	快速	護色 15°	清爽抗皺	洗衣劑計量助手	預校結束時間	脫水轉速 轉/分鐘	延遲脫水	預洗	主洗	柔順劑	溫度 °C	程序時間	使用快遞
棉質節能洗		冷水-60°C	最大	-	-	-	-	✓	✓	✓	✓	✓	最高	✓	-	●	○	60°C	06:00	04:00	
棉質		冷水-95°C	最大	✓	✓	✓	✓	✓	✓	✓	✓	✓	最高	✓	○	●	○	60°C	*	*	
60分鐘混合洗		冷水-60°C	6.0	-	✓	✓	-	✓	✓	✓	✓	✓	最高	✓	-	●	○	40°C	01:00	00:55	
合成纖維		冷水-60°C	3.5	✓	-	✓	✓	✓	✓	✓	✓	✓	最高	✓	○	●	○	40°C	02:20	01:20	
纖細衣物		冷水-40°C	2.5	✓	-	-	-	-	✓	✓	✓	✓	1000	✓	○	●	○	40°C	00:50	00:45	
羊毛 / 手洗		冷水-40°C	2.0	-	-	-	-	-	✓	✓	✓	✓	1000	✓	-	●	○	40°C	00:40	00:35	
顏色衣物		冷水-60°C	6.0	✓	-	✓	✓	-	✓	✓	✓	✓	1000	✓	○	●	○	30°C	01:20	01:05	
30分鐘速洗		冷水-30°C	3.0	-	-	-	-	-	-	✓	✓	✓	最高	✓	-	●	○	30°C	00:30	-	
過水及脫水		-	最大	-	-	-	-	✓	-	-	-	✓	最高	✓	-	-	○	-	00:20	-	
脫水		-	最大	-	-	-	-	-	-	-	✓	-	最高	-	-	-	-	-	00:15	-	
排水		-	最大	-	-	-	-	-	-	-	✓	-	-	-	-	-	-	-	00:01	-	
襯衣		冷水-40°C	2.5	✓	-	-	-	-	✓	✓	✓	✓	1000	✓	○	●	○	40°C	00:50	*	
大型物件		冷水-60°C	3.0	✓	✓	✓	-	✓	✓	✓	✓	✓	1000	✓	○	●	○	40°C	01:30	*	
床單		冷水-60°C	3.5	✓	✓	✓	-	✓	✓	✓	✓	✓	最高	✓	○	●	○	60°C	02:03	*	
羊絨		冷水-30°C	2.0	-	-	-	-	-	✓	✓	✓	✓	400	✓	-	●	○	30°C	00:36	*	
運動衣物		冷水-40°C	3.5	✓	-	✓	-	✓	✓	✓	✓	✓	最高	✓	○	●	-	30°C	01:35	*	
牛仔布		冷水-60°C	5.0	✓	✓	✓	✓	✓	✓	✓	✓	✓	1000	✓	○	●	○	40°C	01:30	*	
嬰兒		冷水-60°C	5.0	✓	✓	✓	✓	✓	✓	✓	✓	✓	1000	✓	○	●	○	60°C	01:30	*	
少量衣物		冷水-40°C	1.0	-	-	-	-	✓	✓	✓	✓	✓	最高	✓	-	●	○	30°C	00:45	*	

可選擇
 不可選擇/不適用
 需要使用洗衣劑
 選擇性使用洗衣劑

* 偵測到洗衣量後會自動調整程序所需時間。

程序

請參閱您的衣物護理標籤上的建議。

棉質節能洗

適用於一般骯髒的棉質衣物。
40°C 及 60°C 水溫下清洗棉質衣物的最佳耗水和耗電程序。屬能源標籤的參考程序。



棉質

適用於一般或非常骯髒的毛巾、內衣褲、棉麻桌布及床單等。



60 分鐘混合洗

適用於由棉、麻、人造纖維及其混合織物製成的輕微或一般骯髒的厚重衣物。屬高效一小時程序。



合成纖維

適用於一般骯髒的人造纖維衣物(例如滌綸、腈綸、黏膠纖維等)或混棉織物。



纖細衣物

適用於精緻面料製成，需要溫和呵護的衣物。



羊毛 / 手洗

適用於帶有羊毛標籤並標示可機洗的羊毛衣物，以及標示手洗的絲(留意衣物標籤)、麻、羊毛及黏膠纖維織物。



30分鐘速洗

適用於較少污漬而由棉、合成纖維及混棉織物製成的衣物。屬清新程序。



顏色衣物

適用於一般由棉、合成纖維或其混合物料及貼身衣物。有助於保持衣物顏色。



過水及脫水

過水及深度脫水程序。適合厚重衣物。



脫水

深度脫水程序。適合厚重衣物。



排水

排水程序。不進行脫水。



特別程序

要設定以下程序，選擇並長按旋鈕3秒鐘確認特別程序位置。然後轉動旋鈕選擇以下八個程序的其中一個，顯示屏會顯示該程序名稱，按下旋鈕以確認所需程序。



襯衣

適用於由棉質、麻、合成纖維及混合纖維製成的襯衫、上衣。

大型物件

適用於如睡袋，可拆洗棉被，浴墊，枕頭和可機洗的羽絨衣裳及冷氣被。

床單

適用於由棉質、合成纖維或混棉纖維製成的白色或有色床單。

羊絨

適用於標識為可機洗或手洗的優質羊絨衣物。建議低脫水轉速 (400 rpm)。

運動衣物

適用於由棉毛衫或超細纖維製成的一般骯髒及有汗水之運動裝。程序包括預洗過程，將洗衣劑加入至預洗盒中。請勿使用柔順劑。

牛仔布

適用於一般骯髒的類似牛仔布堅固物料製成的棉質牛仔裝或衣物，如牛仔褲及牛仔外套。

嬰兒

適用於棉質和/或麻製成的一般骯髒之嬰兒衣物。泡沫會排得更加徹底，可保護嬰兒的敏感皮膚。

少量衣物

適用於由不易變形的織物製成的棉質和/或合成衣物。洗滌少量衣物最經濟的程序。

選項，功能及指示燈

請參閱程序表以檢查可有選項適用於已選擇的程序

選項 - 控制面板的獨立選項

護色 15°

衣物將使用冷水(15°C)洗滌，幫助保留衣服的颜色，也可以節省用於加熱洗衣水的大部分電量，同時保持良好的洗淨效果。適用於有輕微骯髒的深色或彩色衣物。



- 使用可以洗滌有色或深色衣物且適合冷水洗滌溫度 (15 - 20°C) 的洗衣劑。
- 不適用於洗滌棉質 95°C。

清爽抗皺

有助於洗衣程序結束後無法即時取走衣物下，仍保持您的衣服清新。



洗衣機將在程序結束後開始翻滾桶內衣物一段時間。這翻滾時間可最長達約6小時。

您可以在任何時候任意按鍵停止，門會被解鎖，此時便可拿出您的衣服。

洗衣劑計量助手

可以讓洗衣機針對您的洗衣量顯示建議的洗衣劑量。請參閱〈使用和保養指南〉中描述的洗衣劑計量助手的章節。



- 放入衣物，關上機門，選擇程序和選項，按「洗衣劑計量助手」鍵。按鍵亮起。
- 按下「啟動/暫停」鍵啟動程序。洗衣桶旋轉以檢測衣物負載；屏幕顯示負載感測階段。在控制面板中，閃燈動畫出現。然後顯示屏上出現建議主洗洗衣劑量(毫升)。如果您選擇了「預洗」選項，屏幕交替顯示的劑量為預洗格(I)和主洗格(II)。



- 拉出洗衣劑盒和倒入建議洗衣劑量於主洗格(II)。如果選擇預洗，亦倒入洗衣劑於預洗格(I)。



- 關閉洗衣劑盒(或門)，並按下「啟動/暫停」鍵，以繼續執行程序。

以下選項可按「選項」鍵選擇：

預洗

在所選的洗衣程序上增加預洗程序,有助潔淨非常骯髒的衣物。延長洗衣程序約20分鐘。
需添加洗衣劑於洗衣劑盒的預洗格,或者直接倒入滾桶。請使用洗衣粉於主洗格,以確保該洗衣粉停留在洗衣劑盒,直到主洗階段開始。



選擇預校結束時間最高長達24小時。此功能不可使用液體洗衣劑。

- 選擇程序, 溫度和選項。
- 按「預校結束時間」鍵 - 鍵上符號的指示燈亮起。
- 轉動旋鈕選擇延遲1-24小時。按下旋鈕以確認所需的延遲時間。

• 當您完成設定後, 按下「啟動/暫停」鍵 - 倒數計時開始。顯示屏顯示「預校結束時間」已被設定, 洗衣機正處於等待模式。

• 該程序會自動啟動, 並及時在延遲時間結束前完成。程序開始時, 顯示屏上會改為顯示至程序的剩餘時間。

取消預校結束時間

- 按「啟動/暫停」鍵取消預校結束時間;
- 若要立即啟動所選程序, 按下「啟動/暫停」鍵;
- 或按下「啟動/暫停」鍵以取消整個程序設定。

溫感柔護

在程序結束前, 以40°C溫水過水。有效放鬆衣物纖維。當程序結束一段時間後, 提取衣物時仍會感到衣物柔軟溫暖。



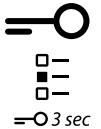
除漬 15°

適用於移除污漬, 油脂/油漬除外。您選定的程序會開始啟動冷水洗滌過程, 這過程會將程序時間延長約10分鐘。頑固污漬應該在洗衣前事先處理。不適用於棉質95°C。



兒童安全鎖

鎖定控制面板, 避免不必要的操作鍵和旋鈕。注意及操作如下:



- 洗衣機必須處於開機狀態。
- 按下「選項」鍵, 直到控制面板上的按鍵符號指示燈亮起。旋鈕和按鍵即被鎖定。只有「啟動/暫停」鍵可如常運作。

高效除污

優化洗衣添加劑的除污效率, 有助清潔非常骯髒或染色衣物。

加入適量洗衣添加劑 (或粉)於主洗格, 並與洗衣粉一同放置 (只限粉末)。程序會被延長最多15分鐘。適合使用含氧氣的去污劑和漂白劑。

氯氣或過硼酸鹽漂白劑不能使用!



如果關閉洗衣機後並再次啟動, 兒童安全鎖將仍然保持運作, 直到您解開安全鎖才可繼續使用。

解鎖方法:

再次按住「選項」鍵至少3秒鐘, 直到鑰匙符號燈熄滅。

深層過水

增加一次過水程序, 有助避免洗衣劑殘留在衣物。特別適合水質非常柔軟的地區以及洗滌嬰兒和皮膚敏感人士的衣物。



指示燈

可以打開機門

故障: 觀察顯示訊息。

對於任何故障請參見〈使用和保養指南〉中的故障排除篇章。



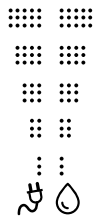
快速

縮短程序時間以加快洗衣。
建議只用於洗滌輕微骯髒的衣物。
不適用於洗滌棉質95°C。



耗電量 / 耗水量顯示

提供關於所選擇程序設定之電源及水量耗用的粗略估計。程序設定預測耗用的電/水量越少, 亮起的指示燈就越少。預測的耗電耗水量仍可在洗衣機偵測到洗衣量時進行調整。



功能

延遲脫水

避免在程序結束時自動進行衣物脫水。
衣物留在最後一次過水的水中, 顯示屏顯示延遲脫水, 程序不會繼續進行。
適合於不應旋轉清洗或應以低旋轉速清洗的纖細衣物, 但不適用於絲質衣物。要結束「延遲脫水」功能, 請按需要選擇:



• 排水不脫水

轉動旋鈕以選擇脫水轉速為「0」, 然後按「啟動/暫停」鍵。水會被抽乾排走, 程序結束。



• 脫水

預設脫水轉速指示燈閃爍 - 「啟動/暫停」鍵開始脫水程序。或轉動旋鈕選擇不同轉速, 按一下確認, 然後按「啟動/暫停」鍵。



預校結束時間

可讓衣物在特定時間洗好, 讓您將程序延遲至稍後時間完成。



維護和清潔及故障排除
有關維護和清潔及故障排除，請參閱〈使用說明指南〉。

〈使用說明指南〉可經以下途徑取得：

- 售後服務中心 - 請致電保用證上顯示的號碼
- 按照以下網址上的指引
www.whirlpool.com.hk



400011041354

Whirlpool®註冊商標/惠而浦集團的TM商標
版權所有 翻印必究 - <http://www.whirlpool.com.hk>

