



THANK YOU FOR BUYING A WHIRLPOOL PRODUCT.

In order to receive a more complete assistance, please register your appliance on www.whirlpool.com.hk

Before using the appliance, carefully read the Health & Safety, Use & Care and Installation guides.

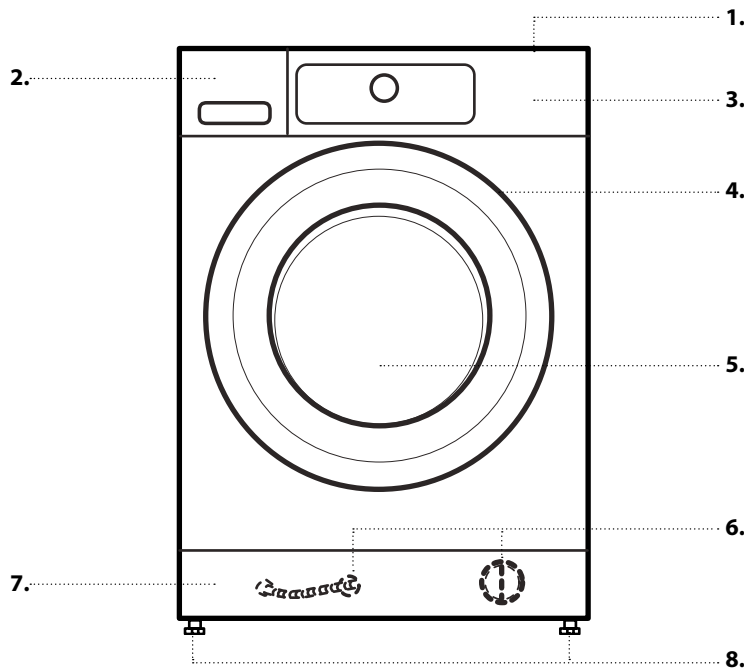


Before using the machine, it is imperative that the transport bolts are removed.

For more detailed instructions on how to remove them, see the *Installation Guide*.

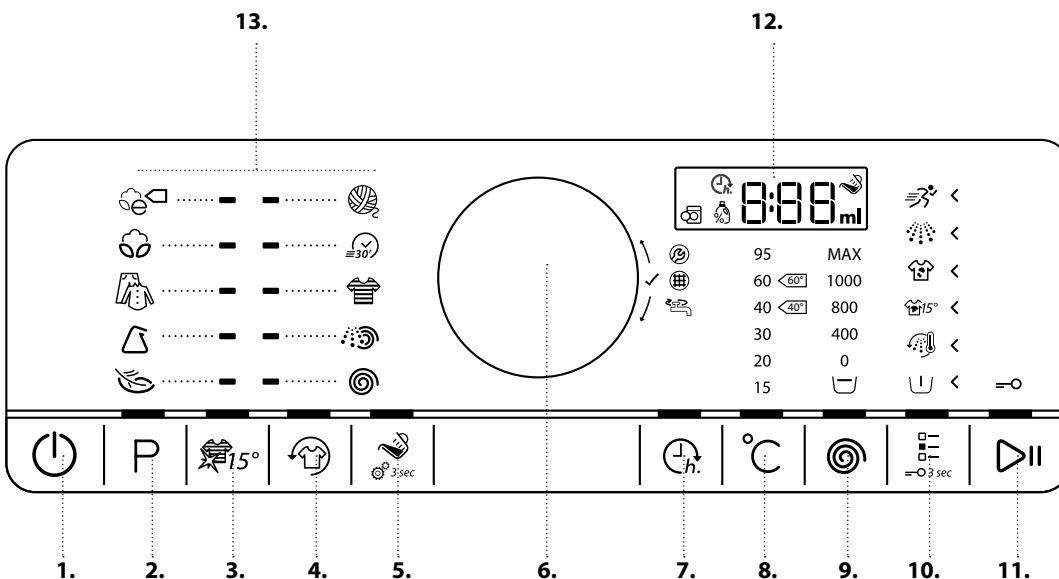
PRODUCT DESCRIPTION

APPLIANCE



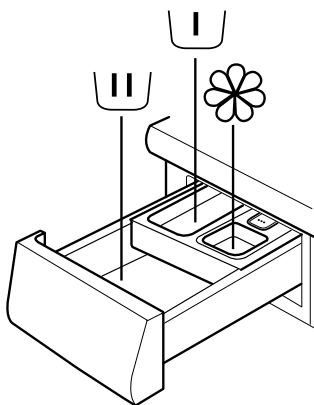
1. Worktop
2. Detergent dispenser
3. Control panel
4. Door handle
5. Door
6. Water filter/emergency drain hose (if available) - behind plinth
7. Plinth (removable)
8. Adjustable feet (4)

CONTROL PANEL



1. On/Off button (Reset/Drain if pressed and held down)
2. Programme button
3. Colours 15° button
4. Fresh Care button
5. Dosing Aid button (Setting if pressed and held down)
6. Knob (Turn to select/ Press to confirm)
7. Start delay button
8. Temperature button
9. Spin Speed button
10. Options button (Key lock if pressed and held down)
11. Start / Pause button
12. Display
13. Programmes area

DETERGENT DISPENSER



1. Main wash compartment

- Detergent for the main wash
- Stain remover
- Water softener



2. Prewash compartment

- Detergent for the prewash.



3. Softener compartment

- Fabric softener
- Liquid starch



Pour in softener or starch solution only up to the "max" mark.

4. Release button

(Press to remove the detergent dispenser for cleaning).



DETERGENT RECOMMENDATIONS FOR VARIOUS TYPES OF LAUNDRY

White robust laundry	(cold-95°C)	Heavy duty detergents
White delicate laundry	(cold-40°C)	Mild detergents containing whitener and/or optical brighteners
Light/pastel colours	(cold-60°C)	Detergents containing whitener and/or optical brighteners
Intensive colours	(cold-60°C)	Colour detergents without whitener/optical brighteners
Black/dark colours	(cold-60°C)	Special detergents for black/dark laundry

FIRST TIME USE

See the section on *DAILY USE* for information on how to select and start a programme.

FIRST CYCLE

When you plug in the washing machine, it will switch on automatically.

To remove any residues from the manufacturing process:

- Select the "Cotton" programme at a temperature of 95°C.
- Add a small amount of heavy duty detergent to the main wash compartment of the detergent dispenser (maximum 1/3 of the quantity recommended by the detergent manufacturer for lightly soiled laundry)
- Start the programme **without adding any laundry**.



DAILY USE

See the *Use and Care Guide* for more details on functions/ see the last page for information on how to obtain the *Use and Care Guide*

1. LOAD LAUNDRY

- Prepare your laundry according to the recommendations in the "HINTS AND TIPS" section.
Make sure that pockets are empty, fasteners closed and ribbons tied together.
- Open the door and load the laundry. Observe the maximum load sizes given in the separate programme chart.



2. CLOSE THE DOOR

- Make sure that no laundry gets stuck between door glass and the rubber seal.
- Close the door so that you can hear it click shut.



3. OPEN THE WATER TAP



4. SWITCH ON THE WASHING MACHINE

- Press the "On/Off" button until the programme button lights up. An animation appears on the control panel and the appliance plays a sound. The washing machine is then ready for operation.

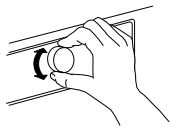


5. SET THE DESIRED PROGRAMME

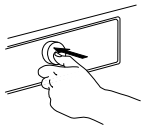
GUIDED MODE — the button light will guide you through setting your programme in the following order: Selection of programme/temperature/spin speed/options. As soon as you confirm a selection by pressing the knob, the button light jumps to the next step.

• Select programme:

Make sure that the programme button lights up.



Turn the knob to select the desired programme.
The indicator next to the selected programme lights up.



Confirm the desired programme by pressing the knob.

• Change temperature, if required

If you want to change the temperature indicated on the display, make sure that the Temperature button lights up. Turn the knob to select the desired temperature, then press the knob to confirm.



• Change spin speed, if required

If you want to change the spin speed indicated on the display, make sure that the Spin button lights up. Turn the knob to select the desired spin speed, or Rinse hold, then press the knob to confirm. Refer to OPTIONS, FUNCTIONS AND INDICATORS for more information.



• Select options, if required

If you want to select additional options, make sure that the Options button lights up. The options which are selectable for your programme are indicated by the arrows which are lit up <

Turn the knob to select the desired options. The symbol for the selected option will flash. Press the knob to confirm. Some options/functions can be selected by pressing the button directly:



Refer to the OPTIONS, FUNCTIONS AND INDICATORS section for more information.

INDIVIDUAL MODE

After you have switched on the washing machine, you are not forced to follow the GUIDED MODE. The order in which you choose to set your programme is up to you. To make a setting, first press the relevant button, then turn the knob to select, and finally press the knob to confirm. The range of temperatures, spin speeds and options depend on the programme selected. It is therefore recommended that you start by selecting the programme.

6. ADD DETERGENT

- If you are **not** using the Dosing Aid function, pull out the detergent dispenser and add detergent (and additives/softener) now; observe the dosing recommendations on the detergent pack. If you have selected PREWASH or START DELAY, observe the recommendations in the OPTIONS, FUNCTIONS AND INDICATORS section. Then carefully close the detergent dispenser.
- If you are using the "Dosing Aid" function, **add detergent later**, after you have started the programme. Refer to the OPTIONS, FUNCTIONS AND INDICATORS section for more information.
- After having added detergent/additives, do not open the detergent dispenser to avoid any overflow.



7. START PROGRAMME

- Press and hold "Start/Pause" until the button lights up and stays on; the programme will start.
- If you have selected "Dosing Aid", the washing machine indicates the recommended detergent amount for your laundry load after the programme starts. Follow the instructions as indicated in the OPTIONS, FUNCTIONS AND INDICATORS/Dosing Aid section.



8. CHANGE THE SETTINGS OF A PROGRAMME WHICH IS RUNNING, IF REQUIRED

You can still change the settings while a programme is running. The changes will be applied, provided the respective programme phase has not yet finished.

- Press the relevant button (for example the "Spin speed" button to change the spin speed). The selected value will flash for a few seconds.
- While it is flashing, you can adjust the setting by turning the knob. If the value stops flashing before you have adjusted it, press the button again.
- Press the knob to confirm the new setting. If you do not confirm it, the new setting will be confirmed automatically: It will stop flashing.

The programme will continue automatically.

To change the settings of a programme which is running, you can also:

- Press "Start/Pause" to pause the programme which is running
- Change the settings as desired.
- Press "Start/Pause" again to continue the programme.

9. PAUSE A PROGRAMME WHICH IS RUNNING AND OPEN THE DOOR, IF REQUIRED

- Press and hold "Start/Pause" to pause a programme which is running.
- Provided the water level and/or temperature is/are not too high, the door open indicator lights up. You can open the door, for example to add/remove laundry.
- Press "Start/Pause" to continue the programme.



10. RESET A PROGRAMME WHICH IS RUNNING, IF REQUIRED

- Press and hold the "On/Off" button until "rES" appears on the display.



The water drains, the programme ends and the door unlocks.

11. SWITCH OFF THE WASHING MACHINE AFTER THE PROGRAMME HAS ENDED

- "End" will appear on the display and the door open indicator will light up – you can remove your laundry.



- Press "On/Off" to switch off the washing machine. The washing machine will switch off automatically after about a quarter of an hour after the programme ends, to save energy.
- Leave the door ajar so that the inside of the washing machine can dry.



HINTS AND TIPS

SORT YOUR LAUNDRY ACCORDING TO

- Type of fabric/care label (cotton, mixed fibres, synthetics, wool, handwash items)
- Colour (separate coloured and white items, wash new coloured items separately)
- Delicates (wash small items – like nylon stockings – and items with hooks – like bras – in a cloth bag or pillow case with zip).

EMPTY ALL POCKETS

- Objects like coins or lighters can damage your laundry as well as the drum.

WASH CARE LABELS

The temperature in the washtub symbol indicates the maximum possible temperature for washing the item.



Normal mechanical action



Reduced mechanical action



Much reduced mechanical action



Hand wash only



Do not wash

CLEAN THE WATER FILTER REGULARLY

- This helps to prevent it from getting clogged, which could cause that the drain water cannot be pumped out anymore. Refer to the CARE AND MAINTENANCE/"Cleaning the water filter" section in the Use and Care Guide.




SAVINGS AND ENVIRONMENT

- Achieve the best use of energy, water, detergent and time by using the recommended maximum load size for the programmes, as indicated in the programme chart.
- Do not exceed the detergent dosages indicated in the detergent manufacturer's instructions. Use the Dosing Aid function.
- Save energy by using a 60°C instead of a 95°C wash programme or a 40°C instead of a 60°C wash programme. For cottons, the Eco Cotton programme at 40°C or 60°C is recommended.
- Save energy and time by selecting a high spin speed to reduce the water content in the laundry before using a tumble dryer.

DOSING AID


To enable this function to calculate the detergent amount as precisely as possible, adapt the washing machine to the dosing values of the detergents you use, and also to your local water hardness.

SAVE THE DOSING VALUES FOR THE DETERGENTS YOU USE

Detergent types:	Colour	Delicate	Generic
			
Programmes:	Colours	Wool, Delicates	All other programmes

Check on the packs of your detergents the dosing amount for medium soil level and medium water hardness

		WATER HARDNESS		
		SOFT	MEDIUM	HARD
SOIL LEVEL	LIGHT			
	MEDIUM		ML	
	HEAVY			



To save these values in the washing machine:

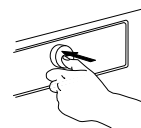
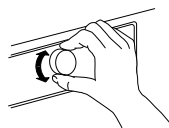
1. Select the programme for which you want to save the detergent value.

P

2. Press and hold the Dosing Aid button until the bottle symbol on the display lights up. The indicators of all programmes for the detergent group light up.



3. Turn the knob to adjust the dosing value to the one you have identified before on the detergent pack. Afterwards confirm it by pressing the knob.



4. Do this procedure for all three programme groups. It is enough if you save the dosing value for one programme per group – it will then be automatically saved for all other programmes of this group.

To return to the factory settings: select and confirm "rES" as described in step 3.

ADAPT THE WASHING MACHINE TO YOUR LOCAL WATER HARDNESS

The washing machine comes with preset water hardness level soft.

Check your regional water hardness level, for example by consulting your local authorities or via internet. – If your local water hardness is not "soft", adjust the washing machine as follows:

To adjust the water hardness:

1. Press and hold the Programme button and the Dosing Aid button simultaneously.



"1" appears on the display, which means water level "soft".

2. Turn the knob to adjust the water level to.

2 = Medium

3 = Hard

and press the knob to confirm. As soon as you confirm the water hardness setting, you automatically exit the water hardness setting mode.

PROGRAMME CHART

Programme	Care labels	Temperature °C	Max load (Kg)	Selectable using the Options button						Selectable directly				Spin		Detergent and additives			Default Temp.& Duration (H:MIN)			
				Prewash	Hot Finish	Bio Stain 15°	Heavy Soil	Intensive Rinse	Rapid	Colours 15°	Fresh Care	Dosing Aid	Start delay	Max. spin speed (rpm)	Rinse hold	Prewash	Main Wash	Softener	Temperature	Program Duration	With Rapid	
ECO COTTON		Cold-60°C	max	—	—	—	—	✓	✓	✓	✓	✓	✓	✓	max	✓	—	●	○	60°C	06:00	04:00
COTTON		Cold-95°C	max	✓	✓	✓	✓	✓	✓	✓	✓	✓	✓	max	✓	○	●	○	60°C	02:20	01:40	
MIXED		Cold-60°C	4.0	—	✓	✓	—	✓	✓	✓	✓	✓	max	✓	—	●	○	40°C	01:00	00:55		
SYNTHETICS		Cold-60°C	3.0	✓	—	✓	✓	✓	✓	✓	✓	✓	max	✓	○	●	○	40°C	02:20	01:20		
DELICATES		Cold-40°C	1.5	✓	—	—	—	—	✓	✓	✓	✓	1000	✓	○	●	○	40°C	00:50	00:45		
WOOL		Cold-40°C	1.0	—	—	—	—	—	✓	✓	✓	✓	1000	✓	—	●	○	40°C	00:40	00:35		
COLOURS		Cold-60°C	4.0	✓	—	✓	✓	—	✓	✓	✓	✓	1000	✓	○	●	○	30°C	01:20	01:05		
RAPID 30'		Cold-30°C	3.0	—	—	—	—	—	—	✓	✓	✓	max	✓	—	●	○	30°C	00:30	—		
RINSE&SPIN		—	max	—	—	—	—	✓	—	—	✓	—	max	✓	—	—	○	—	00:20	—		
SPIN		—	max	—	—	—	—	—	—	—	✓	—	max	—	—	—	—	—	00:15	—		

Selectable/optional
 Not selectable/applicable
 Dosing required
 Dosing optional

* Duration indicated after load sensing

PROGRAMMES

Observe the recommendations on the care labels of your laundry.

ECO COTTON

Normally soiled cotton laundry. Standard cotton programme. At 40°C and 60°C most favourable programme in terms of combined water and energy consumption for washing cotton laundry. The values on the energy label are based on this programme.



COTTON

Normally to heavily soiled and robust cottons and linen.



MIXED

Lightly to normally soiled robust laundry made of cotton, linen, artificial fibres and their blends. 1-hour programme.



SYNTHETICS

Normally soiled laundry made of artificial fibres or cotton blends.



DELICATES

Fine laundry made of delicate fabrics, which needs gentle treatment.



WOOL

Wool items labelled with the Woolmark and identified as machine washable, as well as textiles made of silk (observe recommendations on care label), linen, wool and viscose marked as hand wash only.



RAPID 30'

Lightly soiled laundry made of cotton, synthetics and their blends. Refresh programme for laundry without stains.



COLOURS

Lightly to normally soiled laundry made of cotton, synthetics or their blends; also delicates. Helps preserve colours. Use detergent appropriate for the colours of your laundry.



RINSE AND SPIN

Separate rinse and intensive spin programme. For robust laundry.



SPIN

Separate intensive spin programme. For robust laundry.



CONSUMPTION DATA

This data may differ in your home due to changing conditions in inlet water temperature, water pressure etc.

PROGRAMME	TEMPERATURE (°C)	LOAD (KG)	WATER (L)	ENERGY (KWH)	APPROXIMATE PROGRAMME DURATION (H:MIN)	
					WITHOUT RAPID	WITH RAPID
MIXED	40	4.0	48	0.31	01:00	00:55
COTTON	95	8.0 (max)	86	2.61	02:40	--
COTTON	60	8.0 (max)	84	1.57	02:20	01:40
COTTON	40	8.0 (max)	78	0.82	03:20	02:00
SYNTHETICS	60	3.0	48	0.95	02:20	01:20
SYNTHETICS	40	3.0	45	0.66	02:20	01:20
ECO COTTON	60	8.0 (max)	51	0.78	06:00	04:00
ECO COTTON	60	4.0	33	0.72	03:30	01:30
ECO COTTON	40	4.0	33	0.45	03:30	01:30

Values measured in normal conditions in accordance with IEC/EN 60456. Water, energy and remaining moisture content values refer to the default setting of the programmes, without options.

max = maximum load capacity of the washing machine

Acoustic values on declaration label refer to appliance after complete installation, with acoustic pads fixed on bottom of washing machine according to separate instructions.

Eco Cotton is the standard programme for washing normally soiled cottons, and it is the most efficient programme in terms of combined water and energy consumption. In order to save energy, the real water temperature may deviate from the specified cycle temperature.

Power consumption in off-mode is 0.25 W/in left-on mode 0.25 W.

* Duration indicated after load sensing

OPTIONS, FUNCTIONS AND INDICATORS

OPTIONS which are directly selectable by pressing the dedicated button

Colours 15°

Helps to preserve the colours of your laundry by washing them with cold water (15°C). Saves energy used in heating the water, while maintaining good wash results.

Suitable for lightly soiled coloured laundry without stains. Not selectable for Cotton 95°C.



Fresh Care

Helps to keep your laundry fresh if you cannot remove it from the machine shortly after the programme ends. The washing machine will start to tumble the laundry periodically after the programme ends. This lasts up to approximately 6 hours after the end of your wash programme. You can stop it at any time by pressing any button; the door unlocks and you can remove your laundry.



Dosing Aid

Helps to dose the right amount of detergent for your laundry load. Before using this option:

The concentration of detergents available on the market varies considerably. For this reason, adjust the washing machine to the dosing amounts of the detergents which you use. Furthermore, check if the washing machine's preset water hardness level (soft) corresponds to your local water hardness level and adjust it if necessary.



1) Select Dosing Aid:

After selecting the programme and options, press the "Dosing Aid" button; the Dosing Aid symbol lights up on the display.

2) Start programme:

Start the programme by pressing "Start/Pause". – The drum will rotate to detect the laundry load; afterwards the display will show the recommended detergent amount in ml.



3) Add detergent:

Pull out the detergent dispenser and pour in the quantity of detergent which is indicated on the display into the main wash compartment of the detergent dispenser.



If you have selected the "Prewash" option and you want to add detergent for the prewash as well, pour in half of the indicated detergent amount into the prewash compartment, in addition to the full amount which you have already added to the main wash compartment.

Instead of adding detergent to the detergent dispenser, it can also be added directly to the drum, in a detergent ball.

For programmes with prewash: Prewash detergent can be added to the drum, main wash detergent must be added to the main wash compartment of the detergent dispenser. In this case, use powder detergent for the main wash in order to ensure that it stays in the detergent dispenser until start of the main wash phase. After adding detergent, close the detergent dispenser (or door).

4) Press and hold "Start/Pause" to continue the programme.

OPTIONS which are selectable via the Options button



Prewash

Helps to clean heavily soiled laundry by adding a prewash phase to the wash programme selected.

For heavily soiled laundry, for example containing sand or granular dirt.

Extends the programme by about 20 minutes.

Add detergent to the prewash compartment of the detergent dispenser as well, or directly into the drum. Use powder detergent for the main wash in order to ensure that the detergent stays in the detergent dispenser until the start of the main wash phase.



Hot Finish

The programme ends with a 40°C warm rinse phase.

Relaxes the fibres of your laundry so that the laundry feels comfortably warm when taking it out a short time after the programme ends.



Bio Stains 15°

Helps to remove all kinds of stains, except grease/oil.

The programme begins with a cold water wash phase. Extends the programme by about 10 minutes.

Pre-treatment recommended for stubborn stains.

Not selectable for Cotton 95°C.



Heavy Soil

Helps to clean heavily soiled, stained laundry by optimising the efficiency of additives for stain removal.

Add an appropriate amount of in-wash additive for stain removal (powder) to the main wash compartment, together with your detergent (powder only). May extend the programme by up to 15 minutes.

Appropriate for use with oxygen-based stain removers and bleaching agents. **Chlorine or perborate bleach agents must not be used.**



Intensive Rinse

Helps to avoid detergent residues in the laundry by extending the rinse phase.

Particularly suitable for washing baby laundry, for people suffering from allergies and for areas with soft water.



Rapid

Enables quicker washing.

Only recommended for lightly soiled laundry.

Not selectable for Cotton 95°C.



FUNCTIONS

Rinse hold (option on Spin button)

Avoids automatic spinning of the laundry at the end of the programme. The laundry remains in the last rinse water and the programme does not continue.

Suitable for delicate laundry which is not suitable for spinning, or which should be spun with a lower spin speed. Not suitable for silk. To end the "Rinse hold" function, choose between:

- **drain the water, no spin:**
turn the knob to select spin speed "0", then press "Start/Pause": The water will be drained and the programme ended
- **spin the laundry:**
the default spin speed flashes – start the spin cycle by pressing "Start/Pause".
Or select a different spin speed by turning the knob, press it to confirm, and press "Start/Pause".

Start delay

Moves the start of your programme to a later time. Do not use liquid detergent with this function.

- Select programme, temperature and options.
- Press the "Start delay" button – the start delay symbol on the display flashes.
- Turn the knob to select a delay of up to 24 hours, which will be shown on the display. Confirm by pressing the knob.
- Press "Start/Pause" – the countdown for the delay starts. The colon on the display flashes. The door locks.
- If you have selected Dosing Aid: When you press "Start/Pause", the washing machine calculates the recommended detergent amount. Add detergent as indicated on the display (see "Dosing Aid"). Press "Start/Pause" again to start the countdown for the selected delay period.
- After the delay time has been reached, the washing machine starts automatically. The display then indicates the remaining programme duration.

To cancel "Start delay":

- Press "Start/Pause" to cancel start delay.



Key lock

Locks the buttons and the knob on the control panel against unwanted operation.

To lock the buttons:

- The washing machine must be switched on.
- Press and hold the option button until the key symbol on the display lights up. The knob and the buttons are now locked. Only "On/Off" works.

If you switch the washing machine off and on again, the key lock remains active until you unlock it.

To unlock the buttons, press and hold the option button again, until the key symbol on the display goes off.

3 sec



INDICATORS

Door can be opened.



Failure: Water tap closed. The washing machine has no/insufficient water supply.



Failure: Water filter clogged. Water cannot be drained; water filter might be blocked



Failure: Call Service. Refer to Troubleshooting section in the Use and Care Guide.



In the event of any failures, refer to the Troubleshooting section in the "Use and Care Guide".

MAINTENANCE AND CLEANING AND TROUBLESHOOTING

For maintenance and cleaning, and for troubleshooting, see the

Use and Care Guide.

The **Use and Care Guide** can be obtained as follows:

- After-Sales Service; using the phone number in the warranty booklet
- Download from the Whirlpool Website www.whirlpool.com.hk

CONTACTING AFTER-SALES SERVICE

Provide both numbers shown on the service sticker inside the door when contacting the After-Sales Service team.

<http://www.whirlpool.com.hk>

The phone number can be found in the warranty booklet.

EN

4000 110 42742

Whirlpool® Registered trademark/TM Trademark of Whirlpool group of companies - All rights reserved - <http://www.whirlpool.com.hk>



日常使用參考指引

FSCR80220


最大洗衣量: 8 公斤

最高脫水轉速: 1200 轉/分鐘



感謝您購買惠而浦產品
為了獲得更完善的服務，
請於www.whirlpool.com.hk註冊您的產品

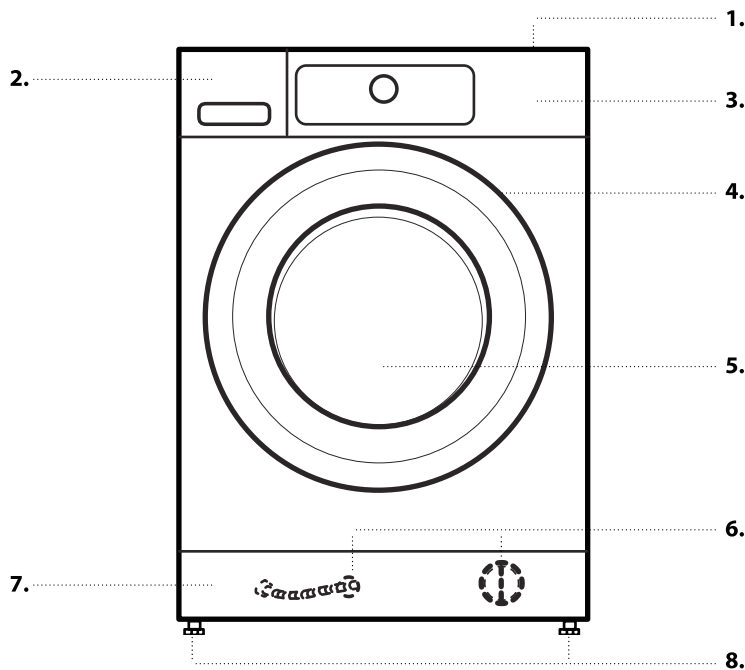
使用此產品前，請細心參閱
〈產品安全指引、使用說明及安裝指南〉。

 使用此產品前，
必須拆除運輸螺柱。

有關如何拆除運輸螺柱的詳細說明，
請參閱〈安裝指南〉。

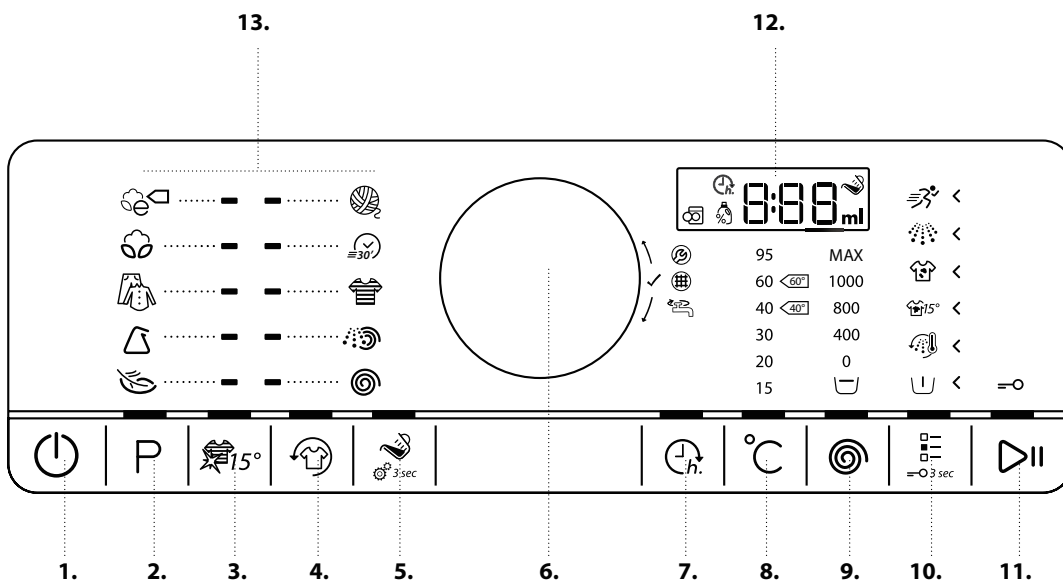
產品介紹

產品

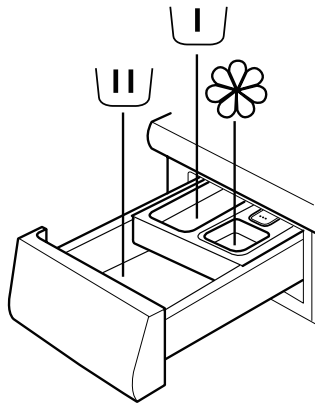


1. 頂板
2. 洗衣劑盒
3. 控制面板
4. 機門門把
5. 機門
6. 底座後面的過濾器
及緊急排水喉(如有)
7. 底座 (可拆式)
8. 可調機腳

控制面板



1. 電源「開/關」鍵
(長按為「重設/排水」鍵)
2. 「程序」鍵
3. 「護色15°」鍵
4. 「清爽抗皺」鍵
5. 「洗衣劑計量助手」鍵
(長按為「設定」鍵)
6. 旋鈕
(旋動選擇 / 按壓確定)
7. 「預校開機時間」鍵
8. 「溫度」鍵
9. 「脫水轉速」鍵
10. 「選項」鍵(長按此鍵為
「兒童安全鎖」功能)
11. 「啟動/暫停」鍵
12. 顯示屏
13. 程序顯示位置



1. 主洗格

- 主洗用洗衣劑
- 去污劑
- 軟水劑



2. 預洗格

- 預洗用洗衣劑



3. 柔順劑格

- 衣物柔順劑
- 衣漿



添加劑只能添加到「MAX」標誌。

4. 鬆開洗衣劑盒按鍵

按下來鬆開洗衣劑盒，將其抽出並清洗。



配合衣物類型的洗衣劑使用建議

白色厚重衣物	(冷水-95° C)	帶漂白效果的強效洗衣劑
白色纖細衣物	(冷水-40° C)	帶漂白效果的溫和型洗衣劑和/或螢光增白劑
淺色/粉色	(冷水-60° C)	帶漂白效果的洗衣劑和/或螢光增白劑
彩色 / 多色 / 色彩鮮艷	(冷水-60° C)	不帶漂白效果/螢光增白劑的護色洗衣劑
黑色/深色	(冷水-60° C)	黑色/ 深色衣物專用洗衣劑

首次使用

請參閱〈日常使用參考指引〉以得悉如何選擇和啟動程序。

首次洗衣

如果您將洗衣機接上電源,它會自動開啟。

請按以下步驟移除產品製造過程中所衍生的任何殘留物：

- 選擇“棉質”程序及95°C 的水溫。

- 添加少量的強效洗衣劑於洗衣劑盒的主洗格內 (洗衣劑製造商建議最多使用1/3的洗衣劑份量於輕度污染衣物)



- 啟動程序，請勿再添加任何衣物。

日常使用

請參閱<使用和保養指南>中更多詳細信息功能或參閱最後一頁以得知如何獲得<使用和保養指南>。

1. 放入衣物

- 按照後頁篇章<提示及應用>中的建議，準備好您的衣物。

確保拉鏈已被拉好，而絲帶亦需綁緊。

- 打開機門，放入衣物。

請查閱程序表中所指出的最大建議洗衣量。



2. 關閉機門

- 確保衣物沒有被卡住於機門玻璃和橡膠密封圈之間。



- 關上機門，您可以聽到喀嗒一聲。

3. 開啟水龍頭



4. 開啟洗衣機電源

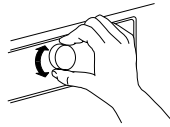
• 按「開/關」鍵，直到「程序」鍵亮起。閃燈動畫將會顯示，並且有聲響，代表該洗衣機已準備好被使用。



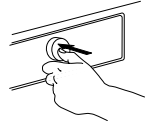
5. 設定所需的程序

引導模式 - 指示燈會按以下順序引導您完成程序設定：選擇程序/溫度/脫水轉速/選項。只要您按下旋鈕確認選擇，指示燈會跳轉到下一個步驟。

• 選擇程序：
確保「程序」鍵亮起。



轉動旋鈕以選擇所需程序，直到所選程序的顯示燈亮起。



按下旋鈕以確認所需程序。

• 調整溫度 (如有需要)

如欲調整「溫度」鍵上指示的溫度，請確保「溫度」鍵已亮起。然後轉動旋鈕選擇所需溫度，再按下旋鈕確認。



• 調整脫水轉速 (如有需要)

如欲調整「脫水轉速」鍵上指示的轉速，請確保「脫水轉速」鍵已亮起。然後轉動旋鈕選擇所需脫水轉速，或選擇「延遲脫水」，再按下旋鈕確認。



詳細資訊請參閱〈選項，功能及指示燈〉篇章。

• 選擇選項 (如有需要)

如您需要額外的選項，確保「選項」鍵亮起。可選擇的選項會根據您所選的程序判斷，並以照明箭頭◀表示。



轉動旋鈕選擇所需選項。所選的選項指示燈隨之閃爍，可按旋鈕確認。

可以直接按下按鍵以選擇以下一些選項 / 功能：



詳細資訊請參閱〈選項，功能及指示燈〉篇章。

個人模式

當您已經開啟過洗衣機，您可以不用強制性跟著引導模式使用。可按個人喜好選擇順序來設定程序。要進行設定，首先按相應的按鍵，然後轉動旋鈕選擇，最後按下旋鈕確認。

溫度，脫水轉速及選項的範圍取決於所選的程序。因此，建議先設定所選擇的程序選項。

6. 加入洗衣劑

- 如果您不使用「洗衣劑計量助手」，可拉出洗衣劑盒並按〈洗衣劑盒〉篇章的建議加入洗衣劑 (及添加劑/柔順劑)。請遵守洗衣劑包裝上的建議劑量。
如果您選擇了「預洗」或「預校開機時間」，請參閱〈選項，功能及指示燈〉篇章的建議，並小心關閉洗衣劑盒。
- 如果您使用「洗衣劑計量助手」的功能，在啟動該程序後添加洗衣劑。詳情請參閱〈選項，功能及指示燈〉篇章。
- 添加洗衣劑或添加劑後，切勿再打開洗衣劑盒，以避免溢出。



7. 啟動程序

- 按「啟動/暫停」鍵直至指示燈亮起，程序將會啟動。
- 如使用「洗衣劑計量助手」鍵，您可以讓洗衣機針對您的洗衣量來顯示建議的洗衣劑量。
請參閱〈選項，功能及指示燈〉篇章的建議。



8. 變更正在運行的程序 (如有需要)

您仍可在程序運行時更改設定。當相應的程序階段尚未結束，變更程序將被應用。

- 按下需變更的相關按鍵(例如「脫水轉速」鍵來改變轉速)，使該數值閃爍幾秒鐘。
- 當指示燈閃爍時，可以轉動旋鈕調整設定。如果該值停止閃爍，再次按下按鈕。
- 按下旋鈕以確認修改。如果沒有按下旋鈕確認，修改仍會自動確認 - 修改後的數值隨即停止閃爍。
該程序將自動繼續運行。
如要變更正在運行的程序設定，還可以：
- 按下「啟動/暫停」鍵暫停程序。
- 變更所需設定。
- 再次按「啟動/暫停」鍵繼續運行程序。

9. 暫停正在運行的程序及打開機門 (如有需要)

- 按下「啟動/暫停」鍵暫停程序。
- 只要水位不太高，或機內衣物不太熱時，機門指示燈會亮起。您可以打開機門，以添加或取走衣物。
- 再次關閉機門，並按下「啟動/暫停」鍵繼續運程序。



10. 重新設定正在運行的程序 (如有需要)

- 按下電源「開/關」鍵，直到屏幕顯示「rES」。



洗衣水會被排走，程序結束及機門會被解鎖。

11. 程序結束後關閉洗衣機

- 顯示器上顯示程序結束「End」，而「開門」指示燈亦亮起。— 您可以拿出機內衣物。



- 按電源「開/關」鍵，以關閉洗衣機。如果不將其關閉，洗衣機將在程序結束的15分鐘後自動關閉，以節省能源。
- 讓機門半開，使洗衣機的內部可以風乾。



提示及應用

請根據以下建議分類衣物：

- 衣料類型/護理標籤符號
(棉，混合纖維，合成纖維，羊毛，手洗項目)
- 顏色
請將白色衣物與顏色衣物分開，並將簇新的顏色衣物分開清洗。
- 纖細衣物 (清洗小件衣物，如尼龍絲襪；有鈎扣的衣物，如胸罩及有拉鍊的布袋或枕套。)

清空衣物口袋

- 銀幣、別針等物品會損毀衣物、洗衣槽及洗衣桶。

衣物護理標籤

在標籤中洗衣缸符號內的溫度，表示用於清洗該衣物項的最高溫度。

- 一般機洗
- 減少機洗
- 避免機洗
- 只可手洗
- 不可濕洗

定期清潔濾網

- 有助避免堵塞或無法正常排水。請參閱〈使用和保養指南〉中的〈清潔濾網/排走積水〉篇章。




節能及環境保護

- 運行程序時加載最大的建議洗衣量，使所耗用的能源、水、洗衣劑及時間均達最佳效益。
- 洗衣劑用量不要超過製造商指示中標識的用量。請使用「洗衣劑計量助手」功能。
- 使用60°C洗衣程序，而非95°C以節約能源。或使用40°C，而非60°C的洗衣程序。
棉質衣料建議使用「棉質節能洗」40°C或60°C。
- 在使用滾桶式乾衣機之前，通過選擇高旋轉速度，以減少在衣物中的含水量，從而節約能源和時間。

洗衣劑計量助手

此功能可精確地計算洗衣劑量，將洗衣機對應您所使用的洗衣劑量，及您居住地的水硬度。

儲存你所使用的洗衣劑的劑量值

洗衣劑類別：	顏色衣物 	纖細衣物 	通用 
程序組別：	顏色衣物	羊毛，纖細衣物	所有其他程序

檢查您的洗衣劑的包裝以得知「中度」的髒污程度及水硬度「中」所需的劑量值。

		水硬度		
		軟	中	硬
髒污程度	低			
	中		毫升	
	高			

儲存洗衣劑的劑量值：

1. 選擇您所需程序以儲存劑量值。

P

2. 長按「洗衣劑計量助手」直至顯示屏上的圖案亮起，其他所有相關程序組別的程序指示燈亦會亮起。



3. 根據所選用的洗衣劑的劑量值標示，轉動旋鈕來調整劑量值，按下旋鈕以確認。



4. 重覆以上步驟以設定三個程序組別，因此每一個程序組別只需設定一次 - 程序組別內的所有程序便會自動設定。
回復原廠設定：轉動旋鈕來選擇「rES」及按下旋鈕以確認。

將洗衣機對應您居住地的水硬度。

洗衣機的預設水硬度是「軟」。

查詢您居住地區的水硬度，例如諮詢當地主管部門或通過互聯網查詢。

— 如您居住地區的水硬度不是「軟」，根據下列方法以設定洗衣機：

設定水硬度：

1. 同時按住「程序」鍵及「洗衣劑計量助手」鍵。



「1」顯示在顯示屏上，代表水硬度是「軟」。

2. 轉動旋鈕來選擇水硬度至

2 = 「中」

3 = 「硬」

按下旋鈕以確認。只要您確認水的硬度設定，您將自動離開設定模式。

程序表

程序	衣物護理標籤	溫度 °C	建議洗衣量 (公斤)	「選項」鍵可選的選項						控制面板的獨立選項				脱水轉速		洗衣劑和添加劑			預設溫度及程序時間(小時:分鐘)				
				預洗	溫感柔護	除漬 15°	高效除污	深層過水	快速	護色 15°	清爽抗皺	洗衣劑計量助手	預校開機時間	脱水轉速 轉/分鐘	延遲脱水	預洗	主洗	柔順劑	溫度	程序時間	使用快速		
棉質節能洗		冷水-60°C	最大	—	—	—	—	✓	✓	✓	✓	✓	✓	✓	✓	最高	✓	—	●	○	60°C	06:00	04:00
棉質		冷水-95°C	最大	✓	✓	✓	✓	✓	✓	✓	✓	✓	✓	✓	✓	最高	✓	○	●	○	60°C	02:20	01:40
60分鐘混合洗		冷水-60°C	4.0	—	✓	✓	—	✓	✓	✓	✓	✓	✓	✓	✓	最高	✓	—	●	○	40°C	01:00	00:55
合成纖維		冷水-60°C	3.0	✓	—	✓	✓	✓	✓	✓	✓	✓	✓	✓	✓	最高	✓	○	●	○	40°C	02:20	01:20
纖細衣物		冷水-40°C	1.5	✓	—	—	—	—	✓	✓	✓	✓	✓	✓	✓	1000	✓	○	●	○	40°C	00:50	00:45
羊毛 / 手洗		冷水-40°C	1.0	—	—	—	—	—	✓	✓	✓	✓	✓	✓	✓	1000	✓	—	●	○	40°C	00:40	00:35
顏色衣物		冷水-60°C	4.0	✓	—	✓	✓	—	✓	✓	✓	✓	✓	✓	✓	1000	✓	○	●	○	30°C	01:20	01:05
30分鐘速洗		冷水-30°C	3.0	—	—	—	—	—	—	✓	✓	✓	✓	✓	✓	最高	✓	—	●	○	30°C	00:30	—
過水及脱水		—	最大	—	—	—	—	✓	—	—	—	✓	—	✓	✓	最高	✓	—	—	○	—	00:20	—
脱水		—	最大	—	—	—	—	—	—	—	—	—	✓	—	✓	最高	—	—	—	—	—	00:15	—

✓ 可選擇

— 不可選擇/不適用

● 需要使用洗衣劑

○ 選擇性使用洗衣劑

* 偵測到洗衣量後會自動調整程序所需時間。

程序

請參閱您的衣物護理標籤上的建議。

棉質節能洗

適用於一般骯髒的棉質衣物。
40°C 及 60°C 水溫下清洗棉質衣物的最佳耗水和耗電程序。屬能源標籤的參考程序。



棉質

適用於一般或非常骯髒的毛巾、內衣褲、棉麻桌布及床單等。



60 分鐘混合洗

適用於由棉、麻、人造纖維及其混合纖維製成的輕微或一般骯髒的厚重衣物。屬高效一小時程序。



合成纖維

適用於一般骯髒的人造纖維衣物(例如滌綸、綸、黏膠纖維等)或混棉織物。



纖細衣物

適用於精緻面料製成，需要溫和呵護的衣物。



羊毛 / 手洗

適用於帶有羊毛標籤並標示可機洗的羊毛衣物，以及標示手洗的絲(留意衣物標籤)、麻、羊毛及黏膠纖維織物。



30分鐘速洗

適用於較少污漬而由棉、合成纖維及混棉織物製成的衣物。屬清新程序。



顏色衣物

適用於一般由棉、合成纖維或其混合物料及貼身衣物。有助於保持衣物顏色。



過水及脫水

過水及深度脫水程序。適合厚重衣物。



脫水

深度脫水程序。適合厚重衣物。



水電消耗資料表

由於不同條件因素(如:入水溫度，供水壓力等)，各家庭的能源消耗值可能會有不同。

程序	溫度 (°C)	建議洗衣量 (公斤)	耗水量 (公升)	耗電量 (千瓦小時)	大約程序時間 (小時：分鐘)	
					不使用「快速」	使用「快速」
60 分鐘混合洗	40	4.0	48	0.31	01:00	00:55
棉質	95	8.0 (最大)	86	2.61	02:40	--
棉質	60	8.0 (最大)	84	1.57	02:20	01:40
棉質	40	8.0 (最大)	78	0.82	03:20	02:00
合成纖維	60	3.0	48	0.95	02:20	01:20
合成纖維	40	3.0	45	0.66	02:20	01:20
棉質節能洗	60	8.0 (最大)	51	0.78	06:00	04:00
棉質節能洗	60	4.0	33	0.72	03:30	01:30
棉質節能洗	40	4.0	33	0.45	03:30	01:30

能源消耗值是根據 IEC/EN 60456 標準所規定的正常條件下而測得。水和能源耗用量是根據預設程序為參考。

最大 = 最大建議洗衣量

聲明標籤上的聲值是指家電安裝完成後，聲墊按照個別的指引被固定在洗衣機底部。

棉質節能洗 是用於洗滌一般沾棉的標準程序，它是在結合水和能源消耗方面上最有效的程序。節能的原因，實際水溫可能偏離指定洗衣程序的溫度。

功耗在關閉模式下為0.25 W /開啟模式0.25 W。

* 偵測到洗衣量後會自動調整程序所需時間。

選項，功能及指示燈

選項 - 控制面板的獨立選項

護色 15°

衣物將使用冷水(15°C)洗滌，幫助保留衣服的顏色，也可以節省用於加熱洗衣水的大部分電量，同時保持良好的洗淨效果。

適用於有輕微骯髒的深色或彩色衣物。不適用於洗滌棉質 95°C。



清爽抗皺

有助於洗衣程序結束後無法即時取走衣物下，仍保持您的衣服清新。

洗衣機將在程序結束後開始翻滾桶內衣物一段時間。這翻滾時間可最長達約6小時。

您可以在任何時候任意按鍵停止，門會被解鎖，此時便可拿出您的衣服。



洗衣劑計量助手

可以讓洗衣機針對您的洗衣量而顯示建議的洗衣劑量。使用此功能前：

市場上可用的洗衣劑濃度各有不同。因此，把洗衣機設定到您所使用的洗衣劑的合適劑量。此外，檢查洗衣機的預設水硬度（軟）是否對應於您的居住地的水硬度，必要時進行調整。



1) 選擇「洗衣劑計量助手」：

選擇程序和選項後，按「洗衣劑計量助手」鍵；指示燈亮起。

2) 啟動程序：

按下「啟動/暫停」鍵啟動程序 — 洗衣桶旋轉以檢測衣物負載；然後顯示屏上出現建議主洗洗衣劑量(毫升)。



3) 添加洗衣劑：

拉出洗衣劑盒和倒入建議洗衣劑量於主洗格。

如果您選擇了「預洗」選項，您需倒入洗衣劑於預洗格。把建議洗衣劑量倒入主洗格後，您亦需按指示的建議將洗衣劑量的一半劑量倒入預洗格。

除了可將洗衣劑倒入洗衣劑盒，您亦可以將洗衣劑倒入洗衣球內，直接放入滾桶。

適用於與「預洗」程序：預洗的洗衣劑量可以直接放入滾桶，而主洗洗衣劑量必須要倒入主洗格。在這種情況下，使用洗衣粉於主洗程序，以確保洗衣粉可保留在洗衣劑盒，直到主洗程序開始。

添加洗衣劑後，關閉洗衣劑盒(或門)。



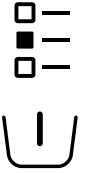
4) 按下「啟動/暫停」鍵，以繼續執行程序。

以下選項可按「選項」鍵選擇：

預洗

在所選的洗衣程序上增加預洗程序,有助潔淨非常骯髒的衣物。適用於非常骯髒的衣物，例如含有沙石或顆粒狀污垢的衣物。延長洗衣程序約20分鐘。

需添加洗衣劑於洗衣劑盒的預洗格，或者直接倒入滾桶。請使用洗衣粉於主洗格，以確保該洗衣粉停留在洗衣劑盒，直到主洗階段開始。



溫感柔護

在程序結束前，以40°C溫水過水。有效放鬆衣物纖維。當程序結束一段時間後，提取衣物時仍會感到衣物柔軟溫暖。



除漬 15°

適用於移除污漬，油脂/油漬除外。您選定的程序會開始啟動冷水洗滌過程，這過程會將程序時間延長約10分鐘。頑固污漬應該在洗衣前事先處理。不適用於棉質95°C。



高效除污

優化洗衣添加劑的除污效率，有助清潔非常骯髒或染色衣物。

加入適量洗衣添加劑(或洗衣粉)於主洗格，並與洗衣粉一同放置(只限粉末)。程序會被延長最多15分鐘。適合使用含氧氣的去污劑和漂白劑。



注意：氯氣或過硼酸鹽漂白劑不能使用！

深層過水

增加一次過水程序，有助避免洗衣劑殘留在衣物。特別適合水質非常柔軟的地區以及洗滌嬰兒和皮膚敏感人士的衣物。



快速

縮短程序時間以加快洗衣。

建議只用於洗滌輕微骯髒的衣物。不適用於洗滌棉質95°C。



功能

延遲脫水 (按「脫水轉速」鍵選擇此功能)

避免在程序結束時自動進行衣物脫水。

衣物留在最後一次過水的水中，顯示屏顯示延遲脫水，程序不會繼續進行。

適用於不應旋轉清洗或應以低旋轉速清洗的纖細衣物，但不適用於絲質衣物。結束「延遲脫水」功能，請按需要選擇：

• 排水不脫水

轉動旋鈕以選擇脫水轉速為「0」，然後按「啟動/暫停」鍵。水會被抽乾排走，程序結束。

• 脫水

預設脫水轉速指示燈閃爍 - 「啟動/暫停」鍵開始脫水程序。或轉動旋鈕選擇不同轉速，按一下確認，然後按「啟動/暫停」鍵。

預校開機時間

將程序延遲至稍後時間開始。

請勿使用洗衣劑。

- 選擇程序，溫度和選項。
- 按「預校開機時間」鍵 - 顯示屏上的符號指示燈閃爍。
- 轉動旋鈕選擇延遲最多24小時，並於顯示屏上顯示。按下旋鈕以確認所需的延遲時間。
- 按下「啟動/暫停」鍵 - 倒數計時開始。顯示屏上的時間符號閃爍。機門會被鎖上。
- 若您選擇了「洗衣劑計量助手」：當按「啟動/暫停」鍵，洗衣機會計算建議洗衣劑量。根據顯示屏上的顯示加入洗衣劑(參考<洗衣劑計量助手>篇章)。再按「啟動/暫停」鍵以倒數計時開始。
- 到達預校開機時間後，洗衣機會自動啟動，顯示屏會顯示程序剩餘時間。

取消「預校開機時間」

- 按「啟動/暫停」鍵取消預校開機時間。



兒童安全鎖

鎖定控制面板，避免不必要的操作鍵和旋鈕。注意及操作如下：

- 洗衣機必須處於開機狀態。
- 按下「選項」鍵，直到控制面板上的按鍵符號指示燈亮起。旋鈕和按鍵即被鎖定。只有「啟動/暫停」鍵可如常運作。

如果關閉洗衣機後並再次啟動，兒童安全鎖將仍然保持運作，直到您解開安全鎖才可繼續使用。

解鎖方法：

再次按住「選項」鍵至少3秒鐘，直到鑰匙符號燈熄滅。

 3 sec



指示燈

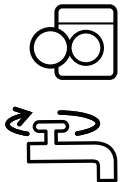
可以打開機門

故障：水龍頭關閉：洗衣機無水供應或供應不足。

故障：過濾器堵塞：廢水未抽出；排水喉可能被阻塞。

故障：聯絡維修：參考〈使用說明指南〉內的〈故障排除〉篇章。

遇到任何的故障情況，請參考〈使用說明指南〉內的〈故障排除〉篇章。



維護和清潔及故障排除

有關維護和清潔及故障排除，請參閱〈使用說明指南〉。

〈使用說明指南〉可經以下途徑取得：

- 售後服務中心 - 請致電保用證上顯示的號碼
- 按照以下網址上的指引
www.whirlpool.com.hk

聯絡售後服務中心

當聯絡售後服務中心時，請提供洗衣機門內服務標籤顯示的兩組數字。

<http://www.whirlpool.com.hk>

您可參閱保養咭上的電話號碼



4000 110 42742

Whirlpool® 註冊商標/惠而浦集團的TM商標
版權所有 翻印必究 - <http://www.whirlpool.com.hk>

