

VH1806

吸塵機

使用
說明書

安全事項


當使用吸塵機時，必須留意以下安全事項：

使用本產品前請閱讀所有使用說明。

警示：為防止火警、觸電或受傷：

1. 請不要用吸塵機吸洗滌劑、煤油、玻璃水、火柴等物品。
2. 請不要用吸塵機吸水泥、石膏粉、牆粉等微小顆粒，或者玩具紙團等較大物體，否則會引起吸塵機堵塞、馬達損壞等故障。
3. 請不要讓吸塵機靠近火源及其它高溫地方。
4. 使用吸塵機前，請注意要裝好HEPA過濾網。
5. 請不要將水或其他液體傾倒或濺入機器中，以免引起短路燒壞機器。
6. 在使用新電池前或長期存放後第一次使用電池，請將電池充滿電。長時間存放不使用本機時，應每三個月進行一次充電。
7. 當您的吸塵機充滿電、需要清潔或維修時，請拔下插頭，插拔電源線時請握住插頭，不要拉扯電線。
8. 清潔吸塵機時請使用乾布，不要用汽油、天拿水等否則會損毀機體。
9. 如電源線破損，切勿使用電接頭。
10. 使用後請關掉電源。
11. 電接頭只適用於100-240V~，50/60Hz電源，切勿使用任何其他電源。
12. 只可使用隨機附送的充電座。
13. 切勿吸水或任何其他液體；切勿吸易燃物質；煙灰必須完全冷卻才可吸取。
14. 切勿將吸塵機機身、電源線或電插頭浸在水或其他液體中。
15. 請勿使用非製造商建議的附件或配件。
16. 在兒童附近使用本裝置時必須小心監督，不可讓兒童操作本裝置。
17. 任何身體、感官或精神障礙人士(包括兒童)或缺乏經驗與知識的使用者，除非經由照顧其人身安全的人士督導或指示操作，否則不宜使用本裝置。
18. 請小心監督兒童，確保他們不會把玩本裝置。
19. 本裝置乃家用電器，除本說明書列明的用途外，切勿作任何其他用途。
20. 本裝置不含任何使用者可自行修理的零件。如擅自拆解或維修，保養即告失效。
21. 用後請擺放在不受陽光直接照射的地方，拆除所有配件，請勿讓兒童觸及。
22. 警告：吸塵機只可使用隨機附送的充電座。充電期間接頭會微熱，此乃正常。
23. 警告：吸塵期間切勿堵塞排氣口。
24. 警告：先關掉吸塵機，才可再充電。

重要說明 — 使用本產品前請先細閱

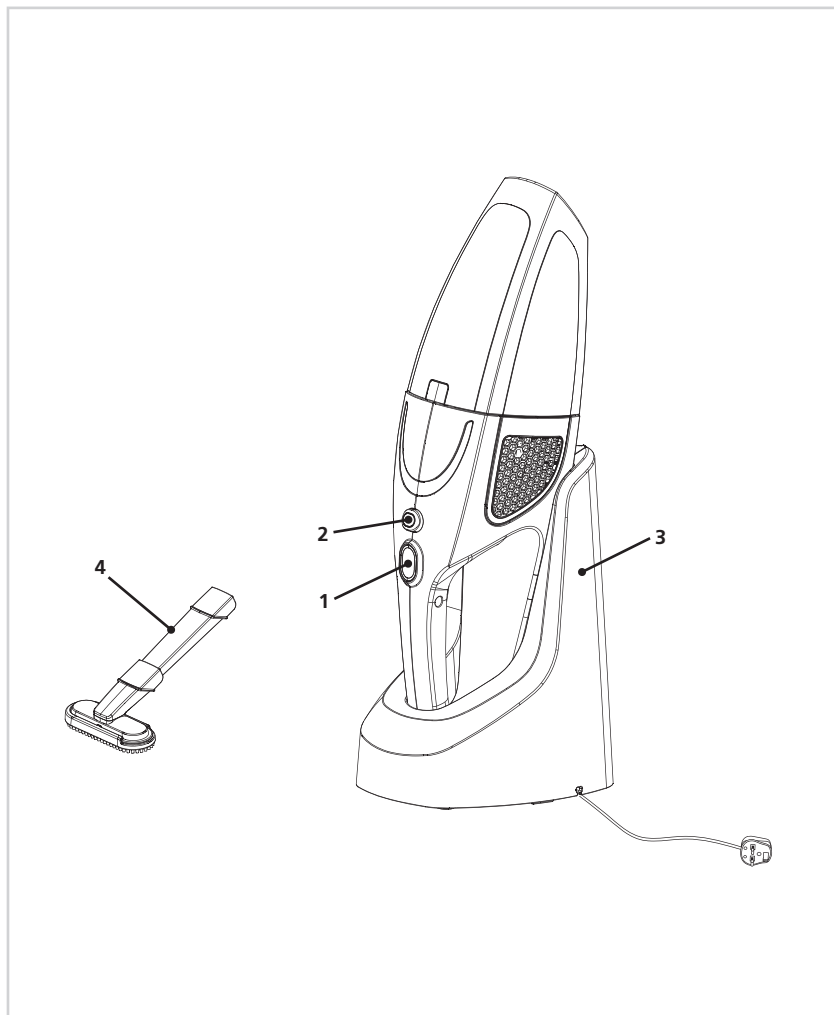
 本吸塵機透過強力馬達以高壓吸入空氣。為確保高效性能及操作安全，必須定期清潔入氣口及過濾網，以及在集塵箱滿溢前和每次使用後傾清塵垢。

過濾網不潔和集塵箱未傾清會影響氣流，導致吸塵機性能降低。

長期疏忽清潔會令氣流堵塞，可能導致吸塵機損壞至無法修復。如用戶不按本說明書所述清潔過濾網、入氣口及集塵箱而導致吸塵機損壞，本廠恕不提供保養。

請保留本使用說明

零件名稱

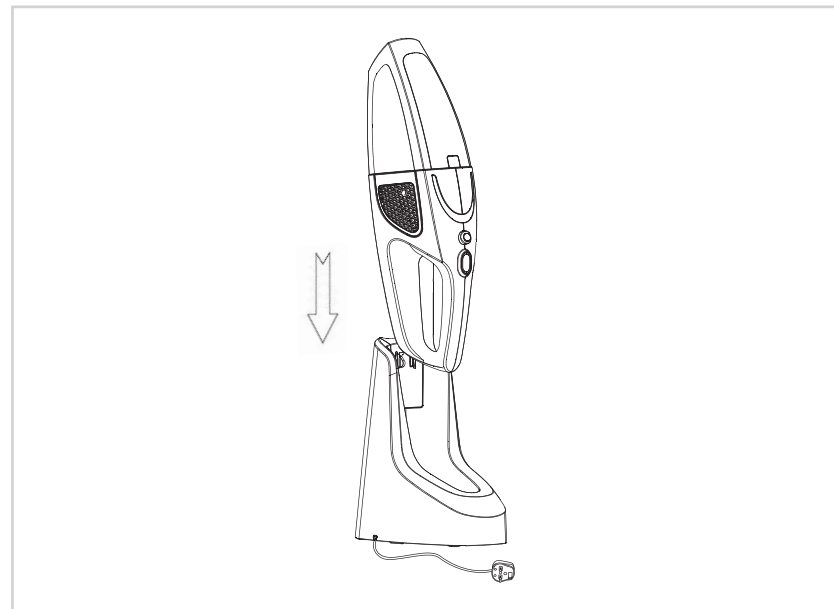


1. 開關按鈕 2. 集塵箱釋放按鈕及充電顯示燈 3. 充電座 4. 三合一附件

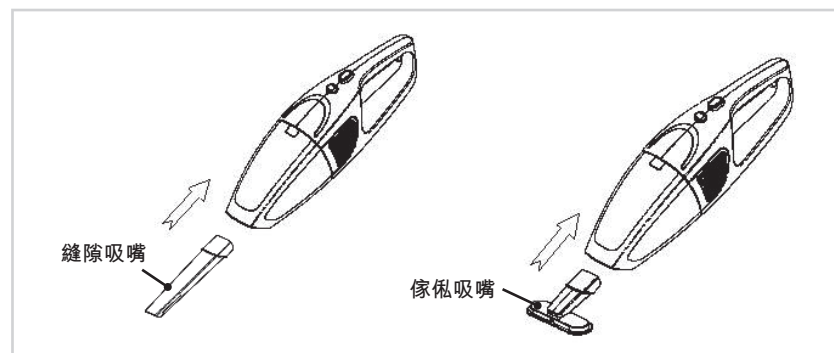
如何使用

1 接駁吸塵機

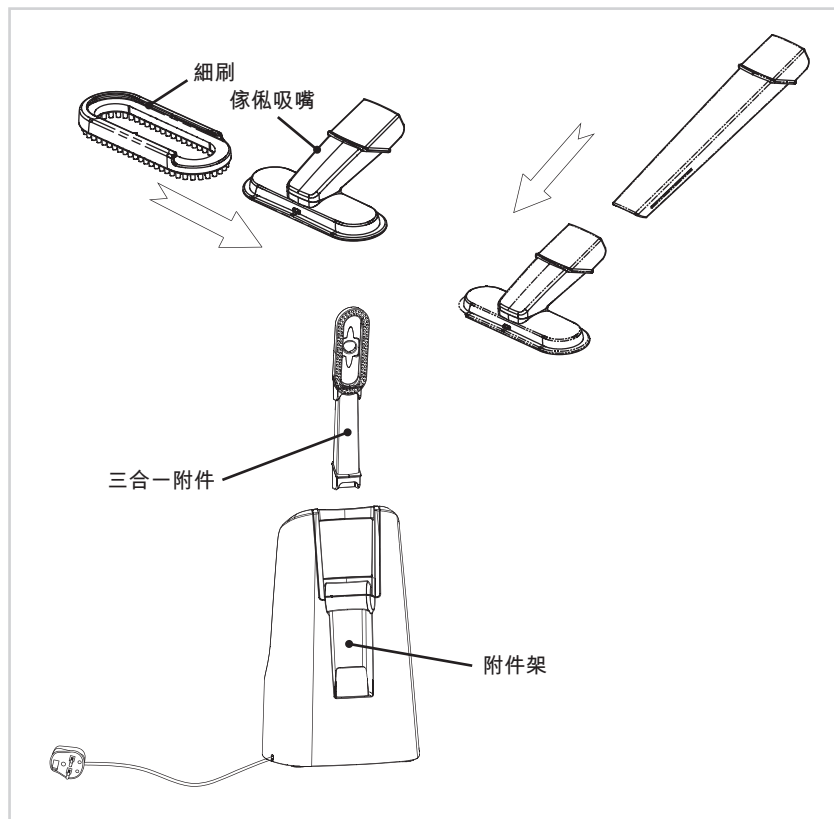
吸塵機器與充電座的安裝



三合一附件的連接



三合一附件的连接



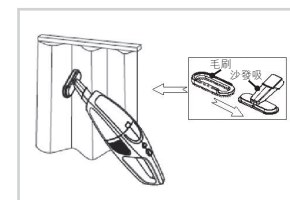
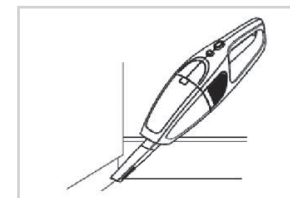
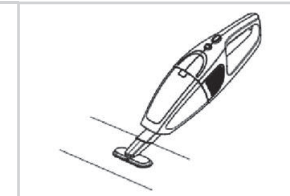
2 吸塵機的使用

- 將吸塵機從充電座上取下後，按下開關按鈕，即可開啟吸塵機進行吸塵，此時綠色工作指示燈亮起，再按下開關按鈕，工作指示燈熄滅，吸塵機停止操作。



3 三合一附件的使用

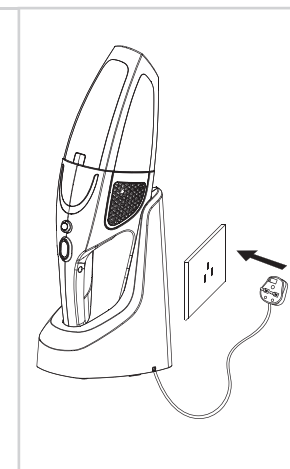
- 用傢俬吸嘴可以清潔沙發，床等傢俱
- 用縫隙吸嘴可以清理牆角、樓梯、鍵盤等縫隙
- 用傢俬吸嘴和毛刷的二合一附件可以清理傢俱、書架、窗簾等



4 吸塵機的充電

- 充電前，請確保吸塵機安放到充電座上。將電源插頭插到交流電源插口中，此時充電指示燈為“紅色”，說明吸塵機正在進行充電。
- 一般充電大約5小時後，充電機的指示燈由“紅色”轉變為“綠色”時，說明吸塵機電池已經充滿電。充電完畢後，請將電源插頭拔出，停止充電過程。

- 注意：
- 吸塵機首次充電，應該將電池的電量耗盡，然後充電12小時。
 - 吸塵機特設充電掛斷功能。當吸塵機在充電過程中，充電指示燈為紅色時，在此時即使按下開關按鈕，吸塵機也無法啟動。



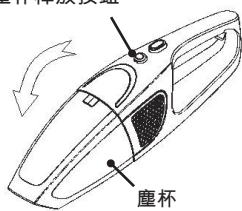
清潔及維修

建議每次吸塵後及時清理集塵箱；當積塵量過多並堵塞HEPA過濾網時，需要清洗或更換，以便吸塵機恢復有效的操作。

• 清潔集塵箱和過濾系統

1) 用力按壓集塵箱釋放按鈕，同時按圖示方向轉動集塵箱組件，將集塵箱組件和機體分離。

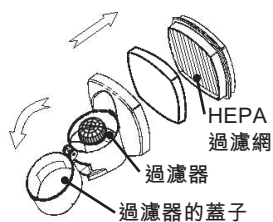
塵杯釋放按鈕



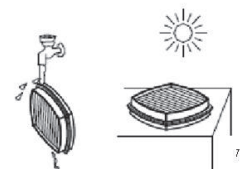
2) 按圖示取出集塵箱，以免塵垢倒在地上。



3) 打開過濾器的蓋子，即可清潔過濾器。



4) 按圖示取出HEPA過濾網並進行清潔，可用溫水清洗及風乾。



5) 完全風乾後，請將過濾網裝上。

清潔及風乾

棄置指南



進行任何維修前請先拔去插頭。

關於按照歐盟指令2002/96/EC正確棄置產品的重要資料



本產品壽命結束後，不可當作都市廢物棄置，必須送到當地特設的廢物分類回收中心或提供相關服務的代理。獨立處置家居電器可避免因為處理不當而危害環境和健康，並可回收組成物料，從而節省能源及資源。為提醒用戶獨立棄置家居電器，本產品印有劃上交叉的有輪垃圾桶圖符。



第二類電器必須雙重絕緣，產品不得連接到地線。

電力資料

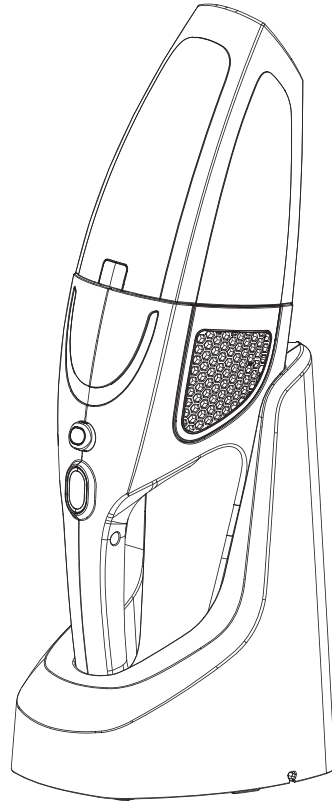
使用本裝置前，請確保您家中的電源符合本裝置功率標籤所定明的電壓。

規格

型號	VH1806
額定電壓及額定頻率	輸入電壓：100-240V~ 50/60Hz 0.3A 輸出電壓：18V === NiMH
產品尺寸	447 X 150 X 179 mm

*產品規格如有任何更改，恕不另行通知。

*如果英文版本與中文版本有任何抵觸或不相符之處，概以英文版本為準。



VH1806

VACUUM CLEANER

User
Manual

SAFETY PRECAUTIONS

When using an electrical appliance, basic precautions should always be followed, including the following:

READ ALL INSTRUCTIONS BEFORE USING THIS APPLIANCE

⚠ WARNING : To reduce the risk of fire, electric shock, or injury:

1. Do not pick up detergent, kerosene, blizzard, needle, ash, wet dust, dirty water and match, etc. with the vacuum cleaner.
2. To avoid filter blockage and motor damage, do not pick up granule such as cement, land plaster, and spitball.
3. Keep the vacuum cleaner away from fire and the place of high temperature.
4. Caution: Always use the vacuum cleaner should be assembled with HEPA before operation.
5. To avoid short circuit, keep the vacuum cleaner away from water.
6. Recharge the battery when use it first time or the battery is used up. Keep recharge and discharge once three months when do not use it in long period.
7. Unplug the plug when the vacuum cleaner recharge finished, or during cleaning and maintenance.
8. When cleaning the vacuum cleaner, please use dry cloth; do not use petrol and lacquer thinner which will damage the surface.
9. Do not use if the plug or cord is damaged.
10. Switch the appliance off after use.
11. The charging base requires a 100-240V~, 50/60 Hz supply. Do not use any other power source.
12. Only the supplied charging base should be used with the appliance.
13. Never suck up water or any other liquid. Never suck up flammable substances and do not suck up ashes until they are cold.
14. Do not immerse the body of the cleaner or the electrical cord or plug in water or liquids.
15. Do not use attachments or accessories not recommended by the manufacturer.
16. Close supervision is necessary when an appliance is used near children. Children should not operate this appliance.

PARTS NAME

17. This appliance is not intended for use by persons (including children) with reduced physical, sensory or mental capabilities, or lack of experience and knowledge, unless they have been given supervision or instruction concerning use of the appliance by a person responsible for their safety.
18. Children should be supervised to ensure that they do not play with the appliance.
19. This appliance is for household use. Do not use for any purpose not expressly specified in this manual.
20. There are no user serviceable parts in this appliance. Unauthorised dismantling or servicing will void the warranty.
21. Store the appliance away from direct sunlight, with all accessories detached and out of the reach of children.
22. Caution: Only charge the vacuum cleaner with the charger base supplied. During charging, the plug feels warm to the touch. This is normal.
23. Caution: Never block the exhaust air openings during vacuuming.
24. Caution: Switch off the appliance when you recharged it.

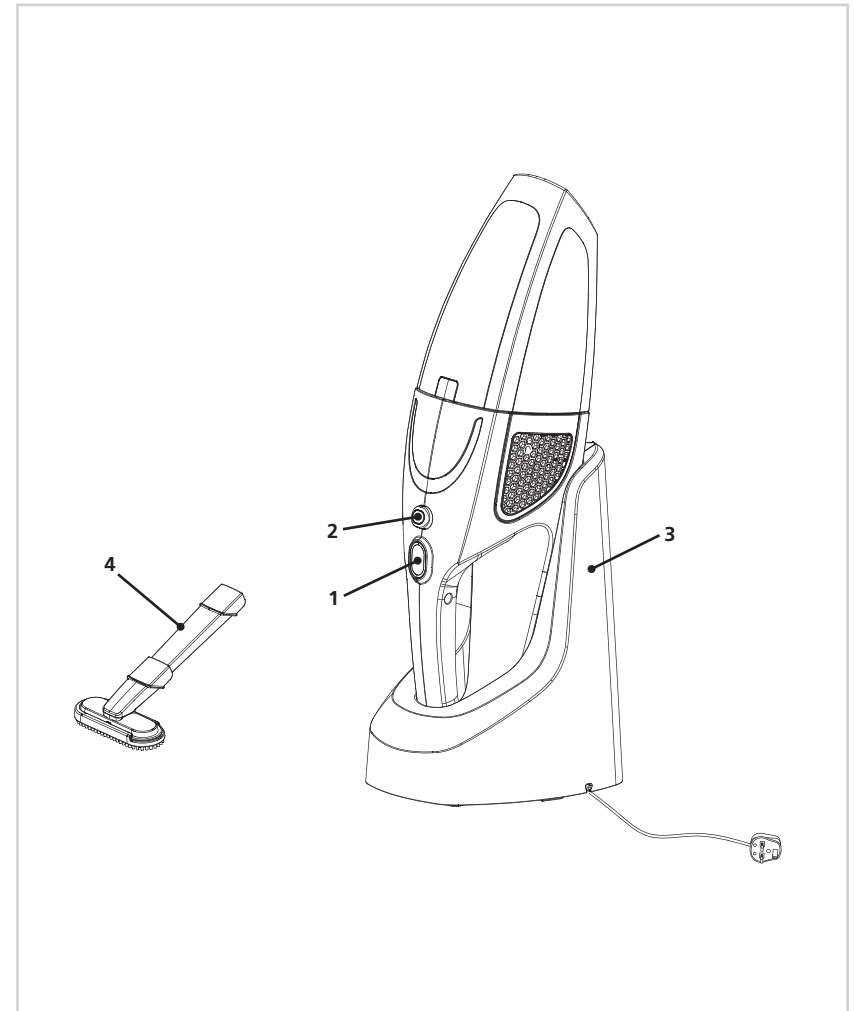
IMPORTANT NOTICE - PLEASE READ BEFORE USING THIS PRODUCT!

THIS CLEANER WORKS BY SUCKING AIR AT HIGH PRESSURE THROUGH A POWERFUL MOTOR. FOR EFFICIENT AND SAFE OPERATION IT IS ESSENTIAL THAT ALL THE AIRWAYS AND FILTERS ARE CLEANED AT REGULAR INTERVALS AND THAT THE DUST IS EMPTIED **BEFORE** THE DUST CONTAINER IS FULL AND AFTER EVERY USE OF THE APPLIANCE.



FAILURE TO CLEAN THE FILTERS AND EMPTY THE DUST CONTAINER WILL RESTRICT THE AIRFLOW. THIS WILL RESULT IN POOR CLEANER PERFORMANCE.

LONG TERM NEGLECT WILL BLOCK THE AIRFLOW AND MAY DAMAGE THE CLEANER BEYOND REPAIR. ANY DAMAGE CAUSED BY FAILURE TO CLEAN THE FILTERS, AIRWAYS AND DUST CONTAINER AS SPECIFIED IN THESE INSTRUCTIONS WILL NOT BE COVERED BY THE WARRANTY.



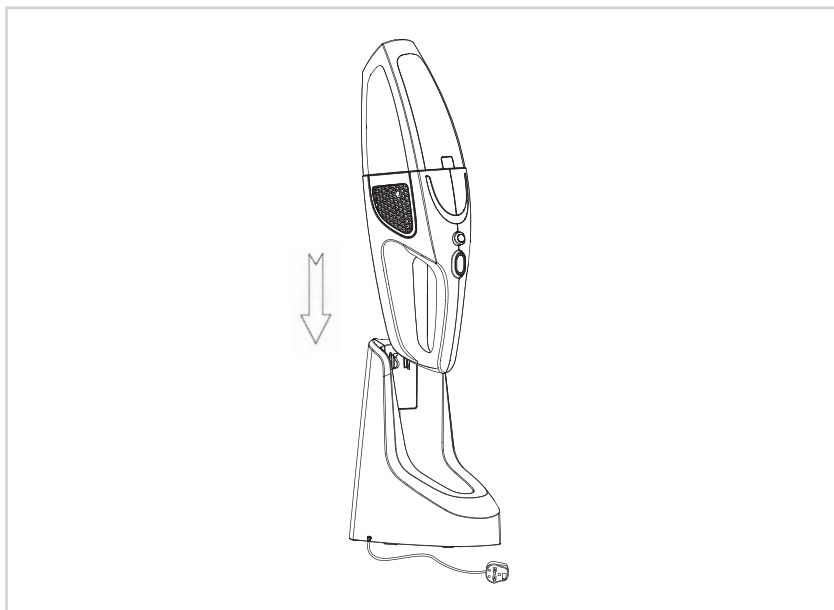
1.ON/OFF button 2. Button to release the dust chip and charging indicator light
3. Charging base 4. 3-in-1 accessories

SAVE THESE INSTRUCTIONS

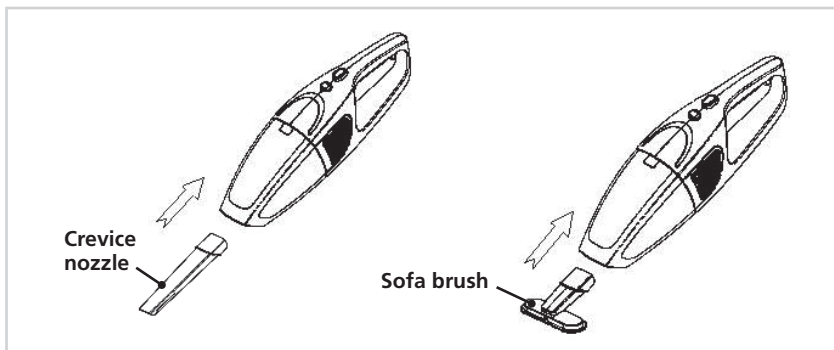
HOW TO USE

1 ASSEMBLING VACUUM CLEANER

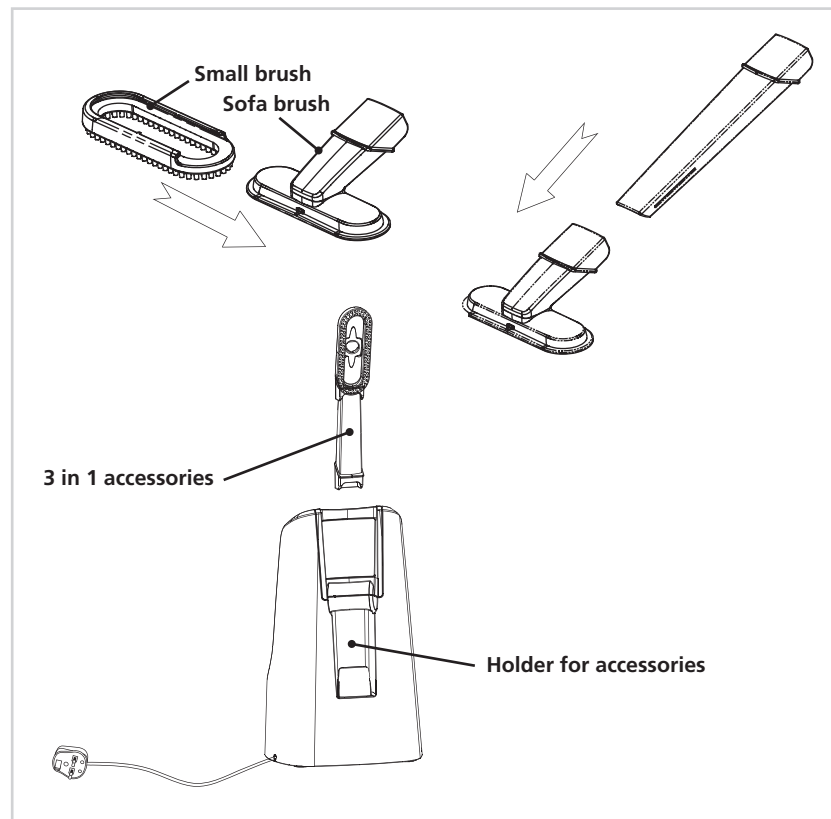
- Connection between vacuum cleaner and charging body



- Handheld vacuum cleaner and 3-in-1 accessories connection



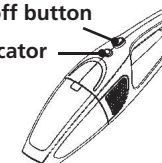
- 3-in-1 accessories connection



2 OPERATION FOR VACUUM CLEANER

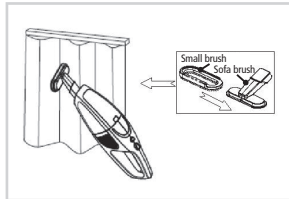
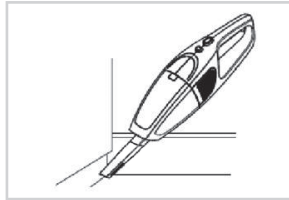
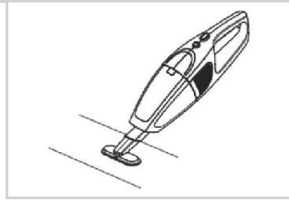
- Take the vacuum cleaner from charging base, push on/off button to start, and the indicator turns green; push it again, the vacuum cleaner stops working and the indicator light is off.

On/off button
Indicator



3 USE OF 3-IN-1 ACCESSORIES

- Use sofa brush to clean sofa, bed etc.
- Use crevice nozzle to clean corner, stairs and keyboard etc.
- Use 2 in 1 brush to clean furniture, book shelf, curtain etc.



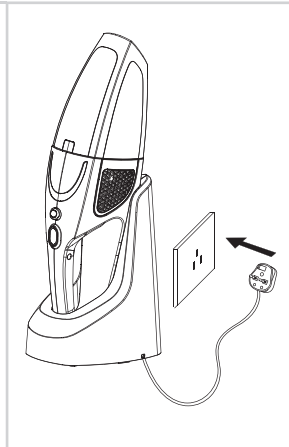
4 CHARGING OF VACUUM CLEANER

- Put the vacuum cleaner to charging base before charging. Put the plug into the socket, the indicator turns "red", it means that it is under charging.

After charging for around 5 hours, the indicator turns from "red" to "green", it means that it is completed for charging of battery. Pull out the plug, finish charging then.

Attention: 1. For first three times of charging, use up the battery completely, then charging 12 hours.

2. This vacuum cleaner provides the charging automatic power off function. When the vacuum cleaner is under charging and the indicator light turns red. The vacuum cleaner cannot function even if you press on/off button.



CLEANING & MAINTENANCE

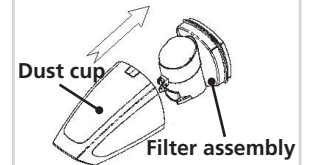
Cleaning the dust cup after use every time. If the dust is too much and HEPA filter is blocked, it needs to be cleaned or changed to ensure the vacuum cleaner can resume efficient operations.

• Dust cup and filter system cleaning

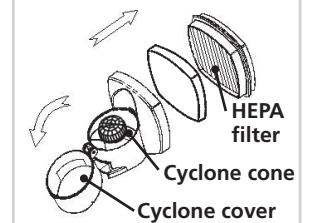
- (1) Push the button to release the dust cup from the body.
- (2) Hold the dust cup as shown in the right picture, so the dust will not drop onto the floor.
- (3) Turn the cyclone cover as shown in the right picture, and clean the cyclone cone.
- (4) Take out the HEPA filter, and clean it. You can rinse the HEPA filter in lukewarm water & dry it completely.



- (2) Hold the dust cup as shown in the right picture, so the dust will not drop onto the floor.



- (3) Turn the cyclone cover as shown in the right picture, and clean the cyclone cone.



- (4) Take out the HEPA filter, and clean it. You can rinse the HEPA filter in lukewarm water & dry it completely.

- (5) Assemble the HEPA filter after cleaning.



DISPOSAL GUIDELINE



- Unplug the product before any maintenance.

CAUTION

IMPORTANT INFORMATION FOR CORRECT DISPOSAL OF THE PRODUCT IN ACCORDANCE WITH EC DIRECTIVE 2002/96/EC.



At the end of its working life, the product must not be disposed of as urban waste. It must be taken to a special local authority differentiated waste collection center or to a dealer providing this service. Disposing of a household appliance separately avoids possible negative consequences for the environment and health deriving from inappropriate disposal and enables the constituent material to be recovered to obtain significant saving in energy and resources. As a reminder of the need to dispose of household appliances separately, the product is marked with a crossed-out wheeled dustbin.



Class II construction double insulated. The product must not be connected to earth.

ELECTRICAL INFORMATION

Before using this appliance ensure that the voltage of your electricity supply is the same as that indicated on the rating plate of the appliance.

SPECIFICATIONS

Model	VH1806
Rated Voltage & Rated Frequency	Input Voltage: 100-240V~ 50/60Hz 0.3A Output Voltage: 18V === NiMH
Product Dimension	447 X 150 X 179 mm

*Specifications can be changed for product performance improvement without notice.

*If there is any inconsistency or ambiguity between the English version and Chinese version, the English version shall prevail.

